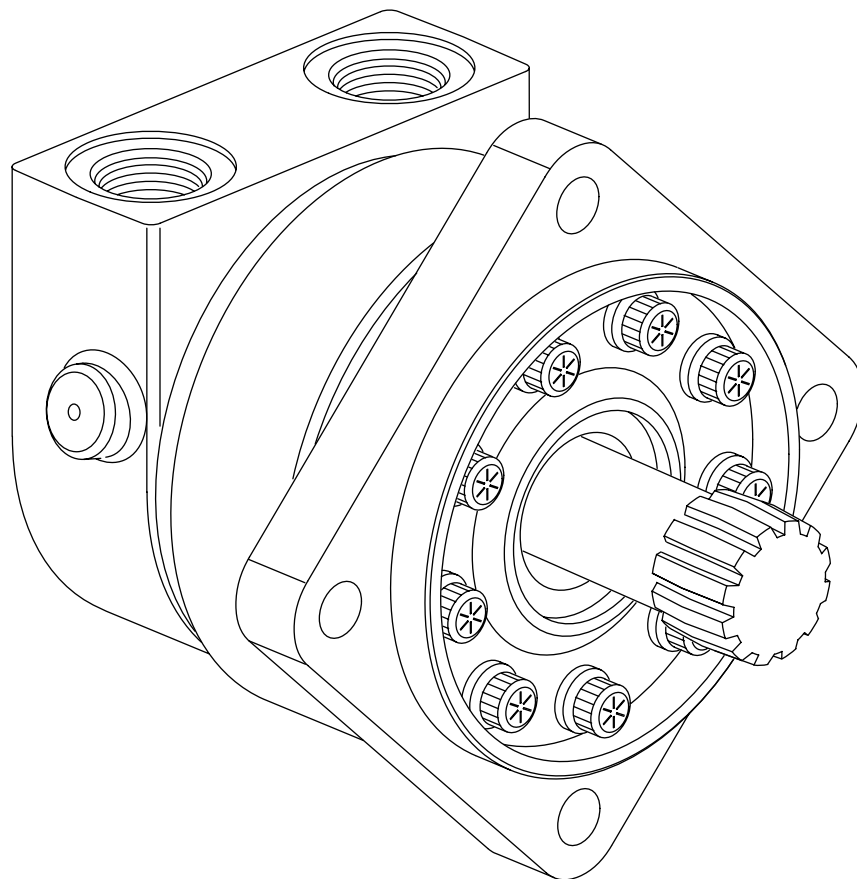




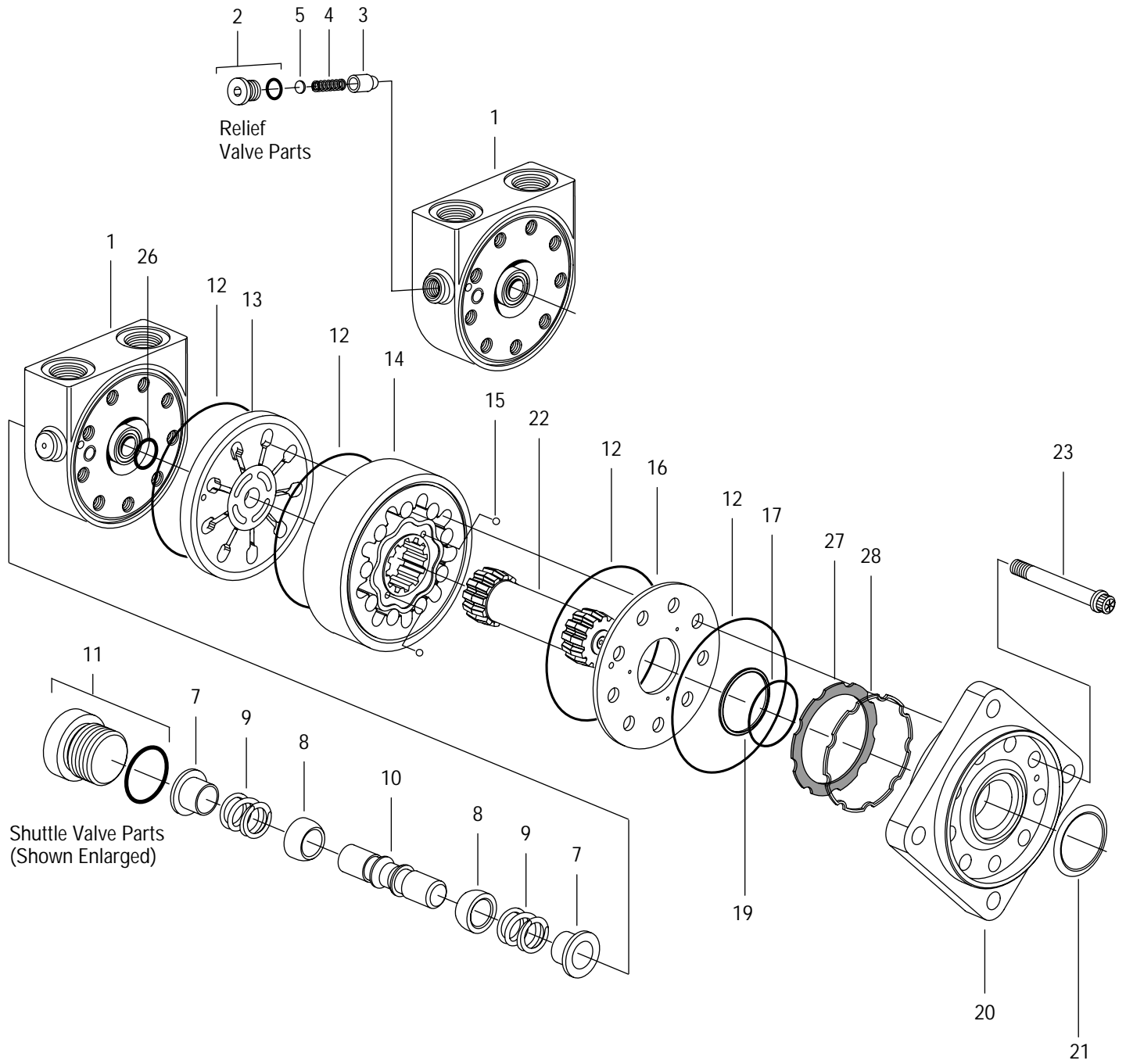
Parts Information



30 Series
VIS Bearingless Motor

002

30 Series Parts Dwg



30 Series Parts List

Ref. No.	Part No.	Description	Quantity
1	201519-000	End Cap Assembly 1-5/16-12 O-ring Ports (2)	1
	201737-001	End Cap Assembly 1-5/16-12 O-ring Ports (2) w/Relief Valve Bore	1
2	9072-004	Plug/O-ring (for relief valve unit only)	1
X	250003-905	O-ring	1
3	201495-004	Poppet (for relief valve unit only)	1
4	17024-026	Spring (for relief valve unit only)	1
5	16048-500	Shim (for relief valve unit only)	A/R
7	8755-000	Sleeve, Dash Pot	2
8	8567-000	Poppet	2
9	230079-000	Spring	2
10	201494-001	Piston, Shuttle	1
11	9266-006	Plug/O-ring Sub Assembly	1
X	250003-906	O-ring	1
X 12	9022-014	Seal	4
13	201946-001	Plate, Valve	1
14	*	Geroler®	1
15	285020-060	Ball	2
16	201273-001	Plate, Balance	1
X 17	250002-032	O-ring	1
X 19	14693-001	Ring, Back-up	1
20	201520-001	Flange, Mounting — 9/16-18 O-ring Case Drain Port	1
X 21	9080-001	Seal, Face	1
22	*	Drive	1
23	*	Screw, Cap	9
X 26	250183-002	O-ring	1
X 27	14720-002	Seal (for relief valve unit only)	1
X 28	14713-002	Ring, Back-up	1
	61295-000	Seal Kit — Contains Parts Indicated by X	
	* See Chart Below A/R — As Required		

Displacement cm ³ /r [in ³ /r]	Ref. No. 14		Ref. No. 22		Item Ref. No. 23	
	Geroler®	Width mm [inch]	Drive	Length mm [inch]	Screw, Cap Internal Hex	Length mm [inch]
246 [15.0]	—	—	—	—	—	—
323 [19.7]	—	—	—	—	—	—
395 [24.1]	201280-005	38,6 [1.52]	201901-005	123,1 [4.85]	16317-400	101,6 [4.00]
492 [30.0]	—	—	—	—	—	—
623 [38.0]	—	—	—	—	—	—

30 Series Parts Dwg

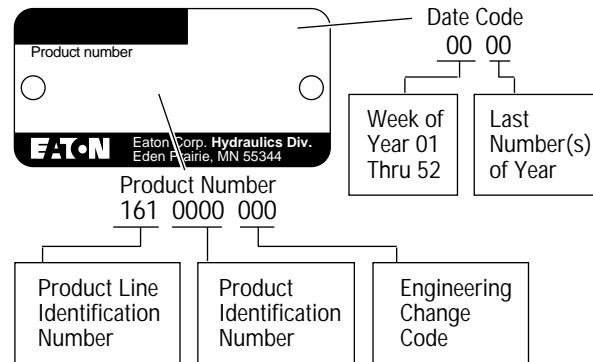
How to Order Replacement Parts

Each Order Must Include the Following:

- | | |
|-------------------|----------------------|
| 1. Product Number | 4. Part Number |
| 2. Date Code | 5. Quantity of Parts |
| 3. Part Name | |

For More Detailed Information Contact Eaton Corp. Hydraulics Division 15151 Highway 5 Eden Prairie, MN 55344.

- Specifications and Performance Data, Catalog No. 11-112.
- When servicing 30 Series Motors refer to Repair Information No. 7-150. This repair manual lists tools required, and step by step disassembly and reassembly procedures.



Eaton Corporation
Hydraulics Division
15151 Hwy. 5
Eden Prairie, MN 55344
Telephone: 612/937-9800
Fax: 612/937-7130

Eaton Ltd.
Hydraulics Division
Glenrothes, Fife
Scotland, KY7 4NW
Telephone: +44 (0)1592-771-771
Fax: +44 (0)1592-773-184

Eaton GmbH
Hydraulics Products
Am Schimmersfeld 7
40880 Ratingen, Germany
Telephone: +49 (0)2102-406-830
Fax: +49 (0)2102-406-800



Quality System Certified
Products in this catalog are manufactured
in an ISO-9001-certified site.

<http://www.eaton.com>

Copyright Eaton Corporation, 1996
All Rights Reserved
Printed in USA

Form No. 6-152

