

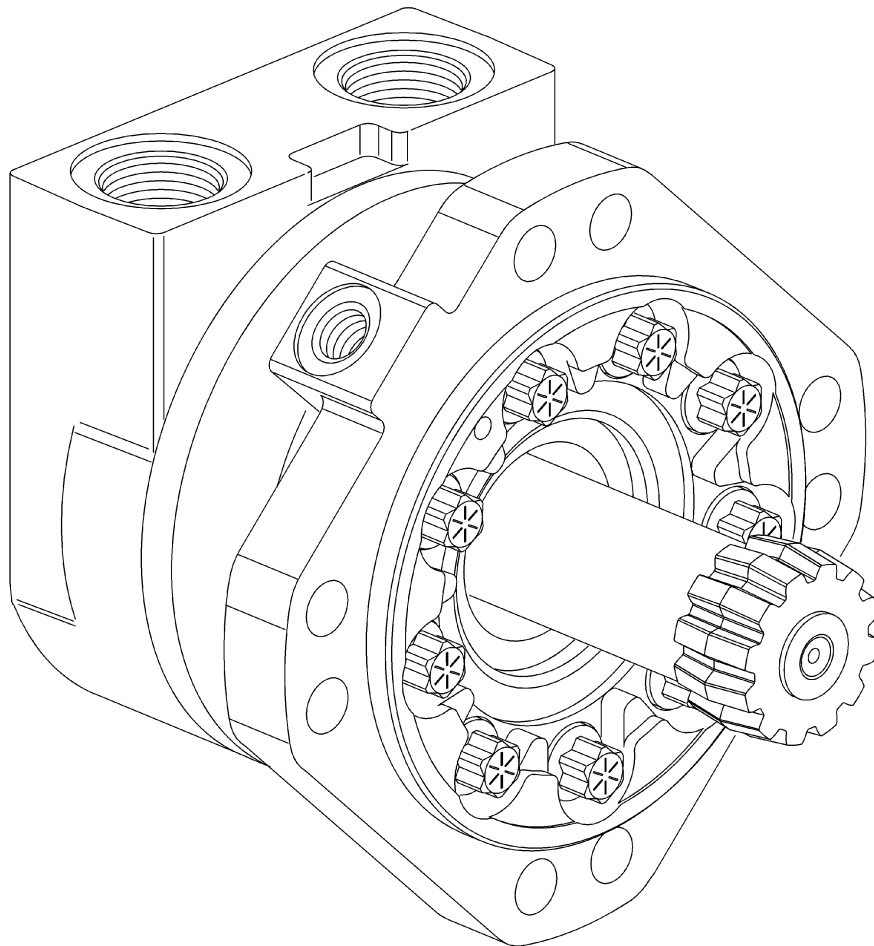
**EATON**

**Hydraulics**

Hydraulic Motor

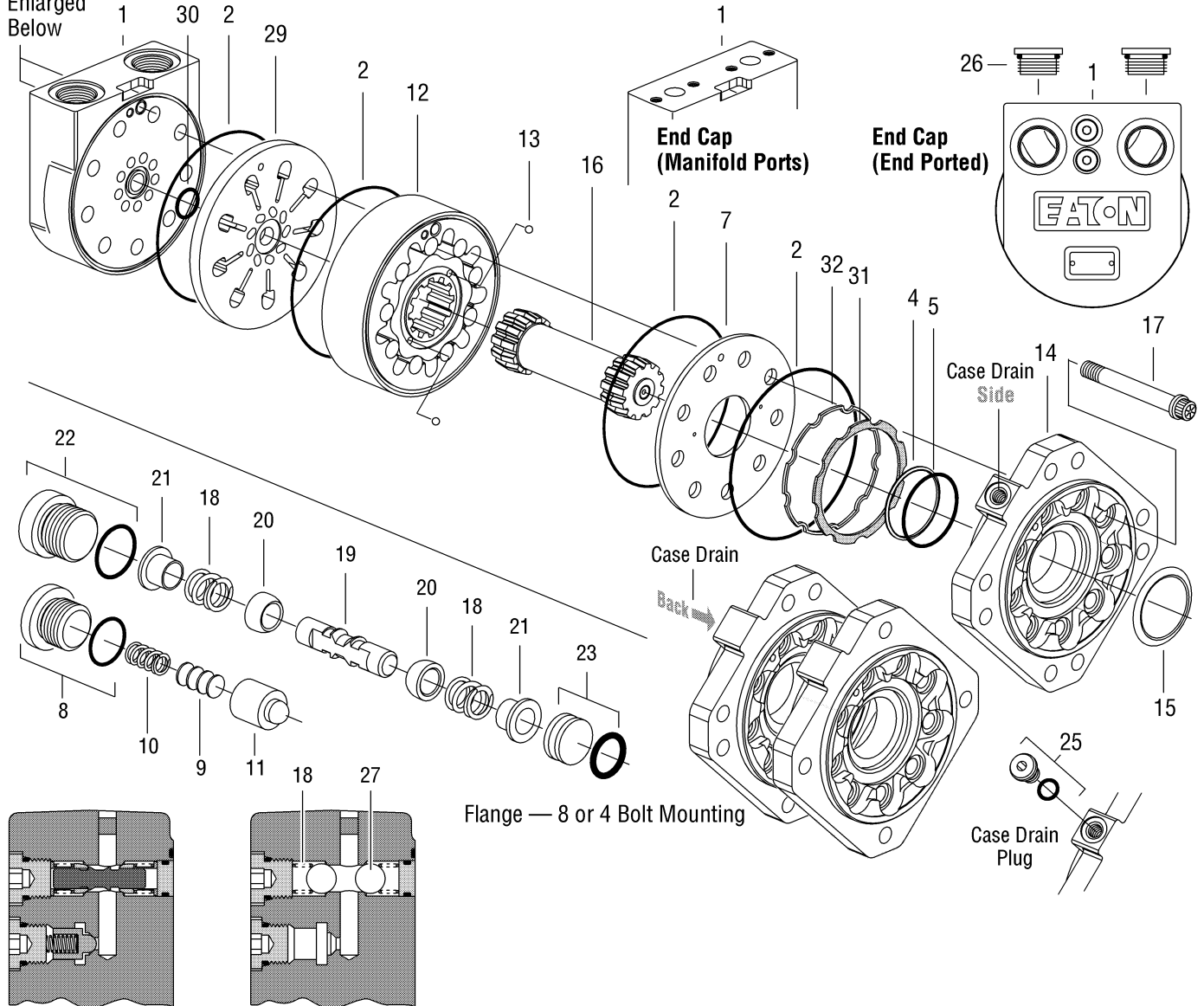
**VIS 45 Series  
Bearingless Motor**

**003**



# VIS 45 Series

Shuttle/Relief  
Valve Parts  
Shown  
Enlarged  
Below



Displacement cm <sup>3</sup> /r [in <sup>3</sup> /r]	Ref. No. 12 Geroler®		Width mm [inch]	Ref. No. 16		Item Ref. No. 17	
	Standard	Tight Fitting		Drive	Length mm [inch]	Screw, Cap 12 Pt	Length mm [inch]
519 [31.7]	201414-002	202314-002	33,1 [1.30]	201361-002	149,5 [5.89]	113388-575	146,0 [5.75]
572 [34.9]	201414-003	202314-003	36,3 [1.43]	201361-003	152,8 [6.02]	113388-575	146,0 [5.75]
636 [38.8]	201414-004	202314-004	40,6 [1.60]	201361-004	156,9 [6.18]	113388-600	152,4 [6.00]
803 [49.0]	201414-005	202314-005	51,3 [2.02]	201361-005	167,6 [6.60]	113388-625	158,7 [6.25]
991 [60.5]	201414-006	202314-006	63,2 [2.49]	201361-006	178,1 [7.07]	113388-675	171,4 [6.75]
1245 [76.0]	201414-007	202314-007	79,4 [3.13]	201361-007	195,8 [7.71]	113388-750	190,5 [7.50]
1557 [95.0]	201414-008	202314-008	99,2 [3.91]	201361-008	215,6 [8.49]	113388-825	209,5 [8.25]

## VIS 45 Series

Ref. No.	Part No.	Description	Quantity
1	201431-001	End Cap Assembly 1–5/16-12 UN-2B O-ring Ports (2)	1
	201431-002	End Cap Assembly 1–1/16-12 UN-2B O-ring Ports (End Ported — 2)	1
	201431-003	2 Bolt Manifold Port	1
	202501-001	2 Bolt Manifold Port (for tight fit Geroler)	1
X 2	14559-007	Seal, Square Cut	4
X 4	14653-001	Ring, Back-up	1
X 5	14502-144	O-ring	1
7	201366-002	Plate, Balance	1
	202162-001	Plate, Balance	1
8	9072-004	Plug/O-ring Sub Assembly (1/2-20 UNF-2A — 11,4 [.45] Overall Length)	1
X	250003-905	O-ring	1
9	16048-500	Shim	A/R
10	17024-024	Spring	1
11	201495-004	Poppet	1
12	*	Geroler®	1
13	285020-060	Ball	2
14		Flange, Mounting	
	23413-015	4 bolt (for motor w/shuttle) 9/16-18 UNF 2B o-ring case drain port (Side) * *	1
	23413-017	8 bolt (for motor w/shuttle) 9/16-18 UNF 2B o-ring case drain port (Rear)	1
	23413-020	8 bolt (for motor w/check valve and leakage orifice) * * *	1
	23413-021	8 bolt (for motor w/shuttle) 9/16-18 UNF 2B o-ring case drain port (Rear)	1
	23413-022	8 bolt (for motor w/check valve and leakage orifice) 9/16-18 UNF 2B o-ring case drain port (Side) * * *	1
X 15	6992-000	Seal, Face	1
16	*	Drive	1
17	*	Screw, Cap	9
18	230079-000	Spring	2
19	201494-002	Piston, Shuttle	1
20	8567-000	Poppet	2
21	8755-000	Sleeve Dash Pot	2
22	9266-006	Plug/O-ring Sub Assembly (9/16-18 UNF-2A — 14,7 [.58] Overall Length)	1
X	250003-906	O-ring	1
23	201868-001	Plug/O-ring Sub Assembly	1
X	14502-012	O-ring	1
25	9072-005	Plug/O-ring Sub Assembly	1
X	250003-906	O-ring	1
26	9072-010	Plug/O-ring Sub Assembly (1–5/16 - 12 UN-2A — 19,0 [.75] Overall Length)	2
X	250003-916	O-ring	2
27	285020-140	Ball	2
29	201746-001	Valve, Plate	1
X 30	14502-023	O-ring	1
X 31	14720-001	Seal	1
X 32	14713-001	Ring Back-up	1

Continued on Page 4

\* See Chart on Page 2

\* \* \* See Page 4

\* \* max. torque 3615 Nm [32,000 lb-in]

A/R — As Required

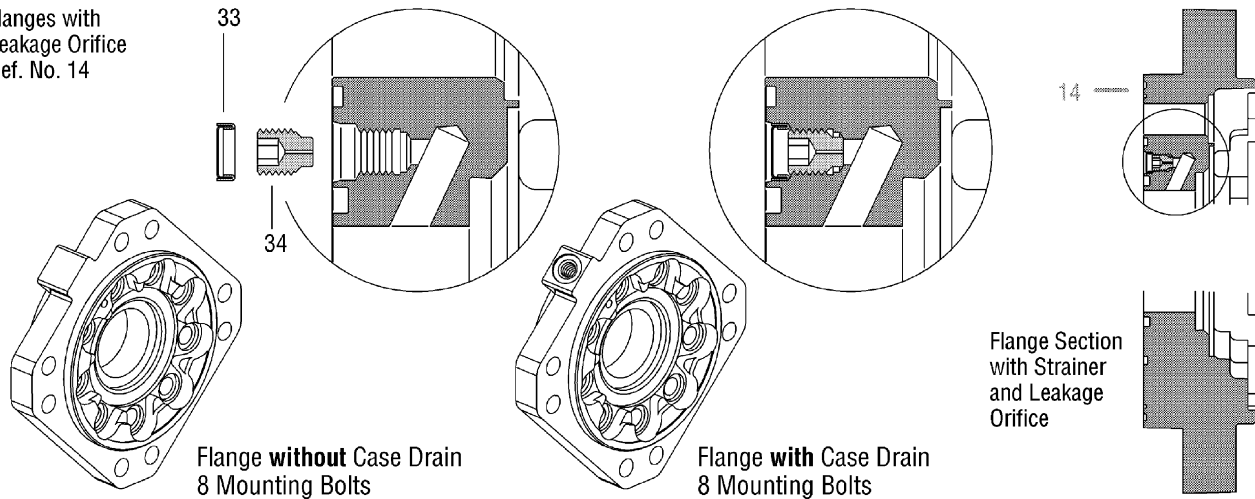
## VIS Bearingless Motors

### VIS 45 Series

Continued from page 3

Ref. No.	Part No.	Description	Quantity
33	31500-452	Strainer	1
34	9289-001	Plug, Orifice	1
	61294-000	Seal Kit — Contains Parts Indicated by X	

Flanges with Leakage Orifice  
Ref. No. 14



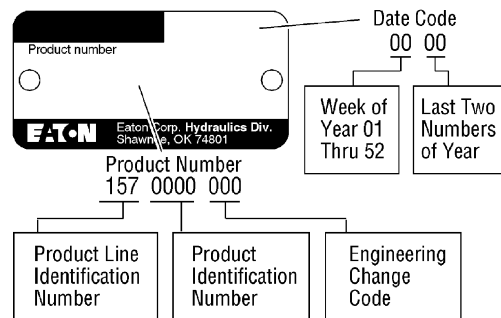
### How to Order Replacement Parts

#### Each Order Must Include the Following:

1. Product Number
2. Date Code
3. Part Name
4. Part Number
5. Quantity of Parts

For More Detailed Information Contact Eaton Corp. Hydraulics Division 15151 Highway 5 Eden Prairie, MN 55344.

- Specifications and Performance Data, Catalog No. 11-112.
- When servicing 45 Series Motors refer to Repair Information No. 7-151. This repair manual lists tools required, and step by step disassembly and reassembly procedures.



Eaton  
14615 Lone Oak Road  
Eden Prairie, MN 55344  
USA  
Tel: 952 937-9800  
Fax: 952 974-7722  
www.hydraulics.eaton.com

Eaton  
20 Rosamond Road  
Footscray  
Victoria 3011  
Australia  
Tel: (61) 3 9319 8222  
Fax: (61) 3 9318 5714

Eaton  
46 New Lane, Havant  
Hampshire PO9 2NB  
England  
Tel: (44) 23 92 486 451  
Fax: (44) 23 92 487 110