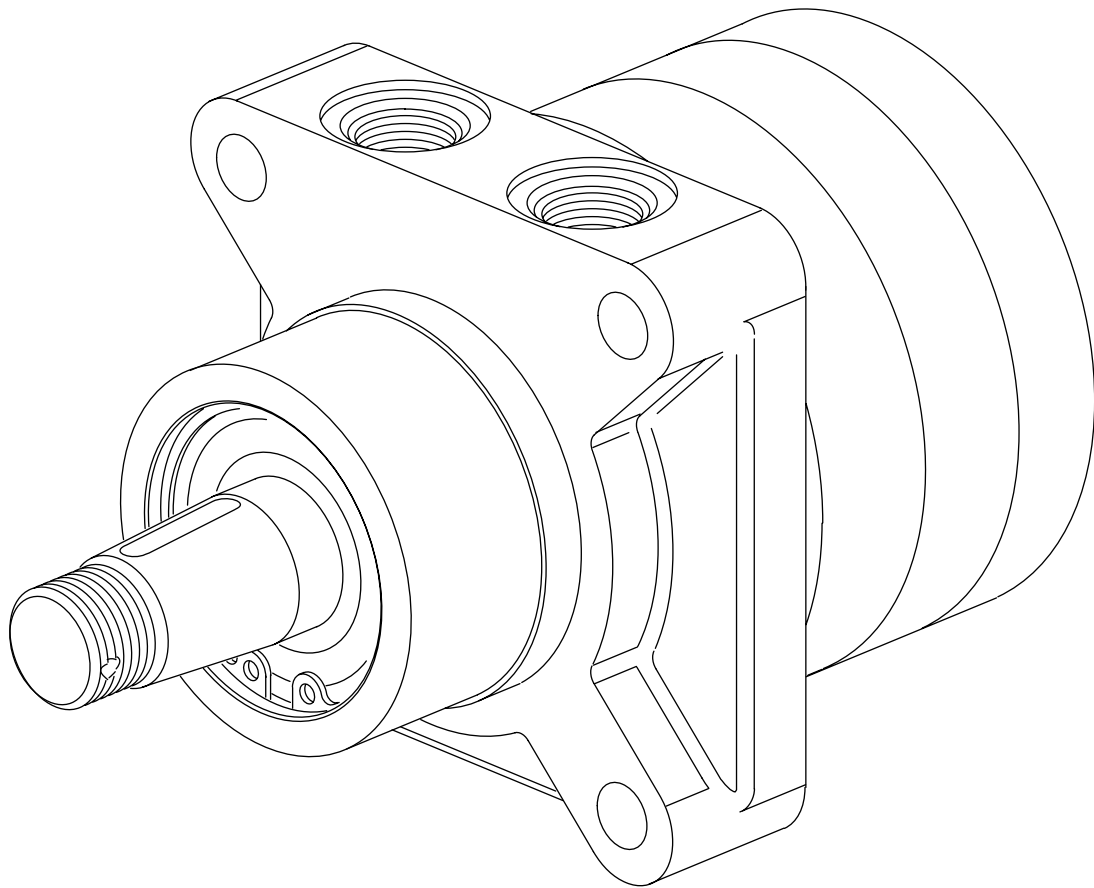


Char-Lynn®
Spool Valve Hydraulic Motors

No. 6-164
April, 1999



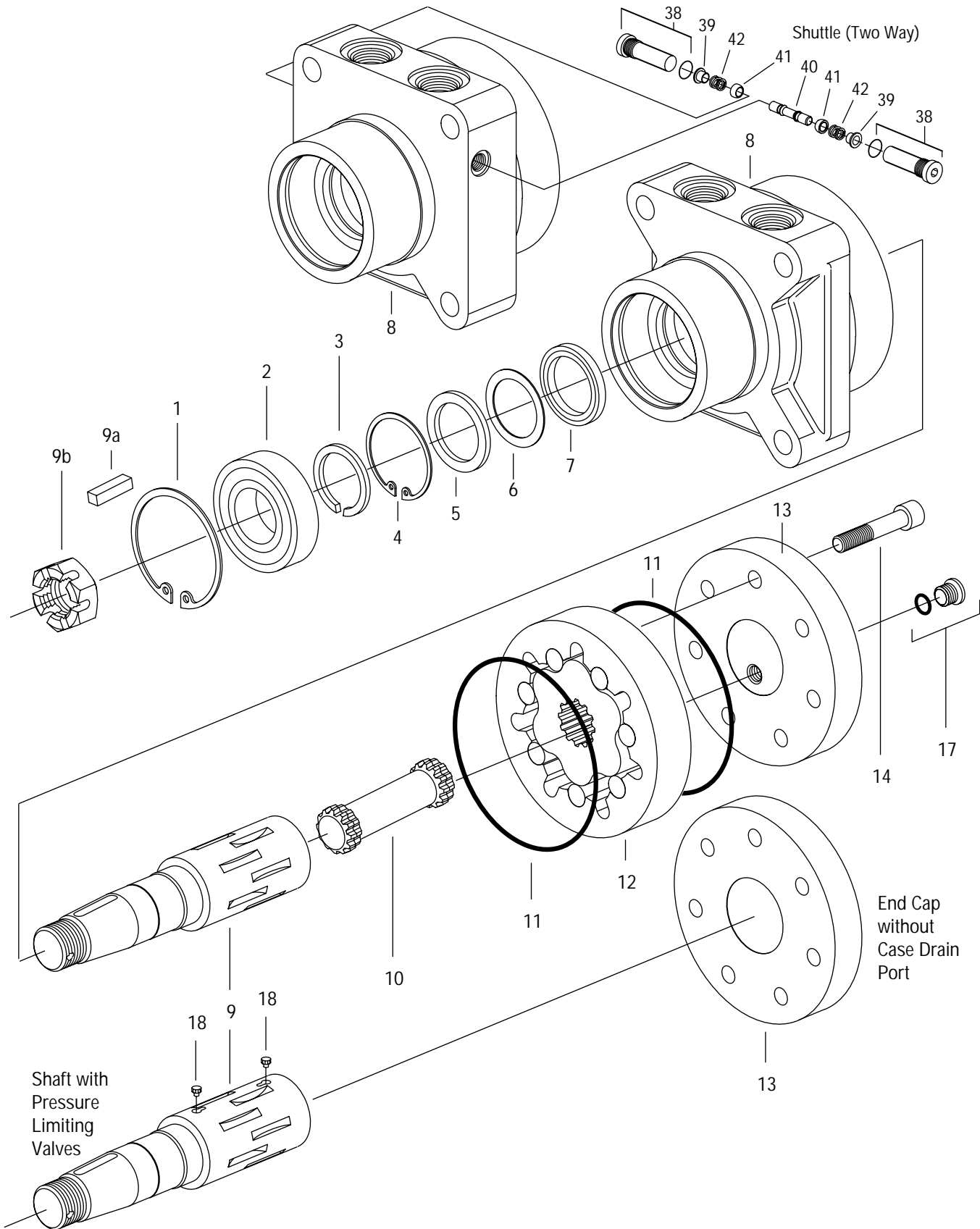
Parts Information



W Series
Geroler® Motors

003

W Series



W Series

Ref. No.	Part Number	Description	Quantity
X 1	14731-001	Ring, Retaining	1
X 2	14730-001	Bearing, Ball	1
X 3	14734-001	Ring, Retaining	1
X 4	14733-001	Ring, Retaining	1
X 5	202409-001	Washer	1
X 6	7382-000	Washer, Backup	1
X 7	9057-009	Seal, Pressure	1
8	202408-001	Housing — 7/8-14 UNF O-ring Port	1
	202408-002	Housing — G 1/2 (BSP) Straight Thread	1
	202081-001	Housing — 7/8-14 UNF O-ring Port — Shuttle Option	1
	202081-005	Housing — G 1/2 (BSP) Straight Thread — Shuttle Option	1
9	**	Shaft, Output	1
10	*	Drive	1
X 11	9086-006	Seal	2
12	*	Geroler®	1
	202590-001	End Cap — No Case Drain	1
	202590-002	End Cap — 7/16-20 UNF O-ring Case Drain Port	1
13	202590-003	End Cap — G 1/4 (BSP) Straight Thread Case Drain Port	1
	14	*	Cap Screw, Internal Hex Head
17	9072-003	Plug/O-ring S/A — 7/16-20 UNF	1
X	250003-905	O-ring	1
	9170-002	Plug/O-ring S/A — G 1/4 (BSP) includes Packing Ring	1
	NSS	Packing Ring	1
18	201971-001	Poppet (for Shaft, Output — with Internal Check Valve seats)	2
38	9293-001	Plug/O-ring S/A — Shuttle	2
X	250003-906	O-ring — Shuttle	2
39	8755-000	Dashpot — Shuttle	2
40	8566-000	Piston — Shuttle	2
41	8567-000	Poppet — Shuttle	2
42	230079-000	Spring — Shuttle	2
	60569-000	Seal Kit — Contains Parts Indicated by X	

*See Chart Ref. 14, 12, 10 Below

**See Chart Ref. 9 (Page 4)

NSS Not Sold Separately

Displacement cm ³ /r [in ³ /r]	Ref. No. 14 Screw, Cap Internal Hex		Ref. No. 12 Geroler®		Ref. No. 10 Drive	
	Length mm [inch]		Width mm [inch]		Length mm [inch]	
80 [4.9]	16319-616	44,4 [1.75]	201974-001	9,1 [.36]	201979-003	81,0 [3.19]
126 [7.7]	16319-622	57,1 [2.25]	201974-002	11,9 [.47]	201979-001	83,7 [3.30]
154 [9.4]	16319-624	63,5 [2.50]	201974-003	14,7 [.58]	201979-002	86,4 [3.40]
195 [11.9]	16319-624	63,5 [2.50]	201974-004	18,5 [.73]	22252-000	90,0 [3.54]
251 [15.3]	16319-626	69,8 [2.75]	201974-005	23,9 [.94]	22189-000	95,8 [3.77]
303 [18.5]	16319-630	76,2 [3.00]	201974-006	29,0 [1.14]	201979-005	100,8 [3.97]
374 [22.8]	16319-632	82,5 [3.25]	201974-007	35,6 [1.40]	201979-006	106,9 [4.21]

Spool Valve Hydraulic Motors

W Series

Output Shaft	Ref. No. 9 Shaft	No Check Valves (Low Speed Shaft)	Internal Check Valves (Low Speed Shaft)	No Check Valves (High Speed Shaft)	Internal Check Valves (High Speed Shaft)
02	1-1/4 inch Dia. 14 Tooth Splined	203514-002	202525-002	202615-002	202584-002
03	1-1/4 inch Dia. Tapered	203514-053	202525-053	202615-053	202584-053
04	32mm Dia. Straight with Key	203514-004	202525-004	202615-004	202584-004
06	1-1/4 inch Dia. Straight with Key	203514-006	202525-006	202615-006	202584-006
	Key	14392-005			Qty. 1
	Nut	14163-000			Qty. 1

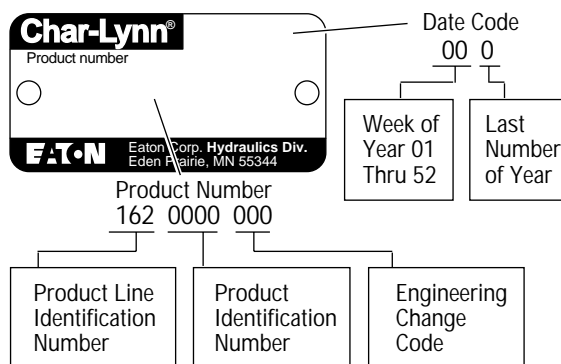
How to Order Replacement Parts

Each Order Must Include the Following:

1. Product Number
2. Date Code
3. Part Name
4. Part Number
5. Quantity of Parts

For More Detailed Information Contact Eaton Corp. Hydraulics Division 15151 Highway 5 Eden Prairie, MN 55344.

- Specifications and performance data, Catalog No. 11-111
- When servicing W Series refer to Repair Information No. 7-157. This repair manual lists tools required, and step by step disassembly and reassembly procedures.



Eaton Corporation
Hydraulics Division
15151 Hwy. 5
Eden Prairie, MN 55344
Telephone: 612/937-7254
Fax: 612/937-7130

Eaton Ltd.
Hydraulics Division
Glenrothes, Fife
Scotland, KY7 4NW
Telephone: [+44] (0)1592-771-771
Fax: [+44] (0)1592-773-184

Eaton B.V.
Boeing Avenue 11
1119 PC Schiphol-Rijk
The Netherlands
Telephone: [+31] (0)20-655 6776
Fax: [+31] (0)20-655 6800

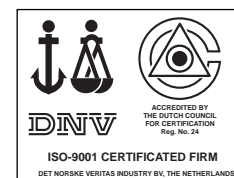
Sumitomo Eaton Hydraulic Co.
8 Temasek Blvd.
42-01 Suntec Tower Three
Singapore 03988
Telephone: [+65] 832-7727
Fax: [+65] 832-7733

Sumitomo Eaton
Hydraulic Company Ltd.
Ooi-Cho Kameoka-Shi
621-0017 Kyoto
Japan
Telephone: [+81] 771-22-9601
Fax: [+81] 771-29-2020

Eaton Ltd.
7th Floor, Woo Duk Building
832-2 Yeoksam-Dong, Kangnam-Ku
Soeul 135-750
Korea
Telephone: [+82] 2-557-0595
Fax: [+82] 2-557-1634

Eaton Hydraulics (Shanghai) Co. Ltd.
388 Aidu Road, Waigaogiao FTZ
Pudong New Area
Shanghai 200137
Peoples Republic of China
Telephone: [+86] 21-5046 0758
Fax: [+86] 21-5046 0767

Jining Eaton Hydraulic Co. Ltd.
6 Ji Da Road
Jining City
Shandong Province 272131
Peoples Republic of China
Telephone: [+86] 537-2221288
Fax: [+86] 537-2221557



Quality System Certified
Products in this catalog are manufactured in an ISO-9001-certified site.

www.eatonhydraulics.com

Copyright Eaton Corporation 1999
All Rights Reserved
Printed in USA

Form No. 6-164

