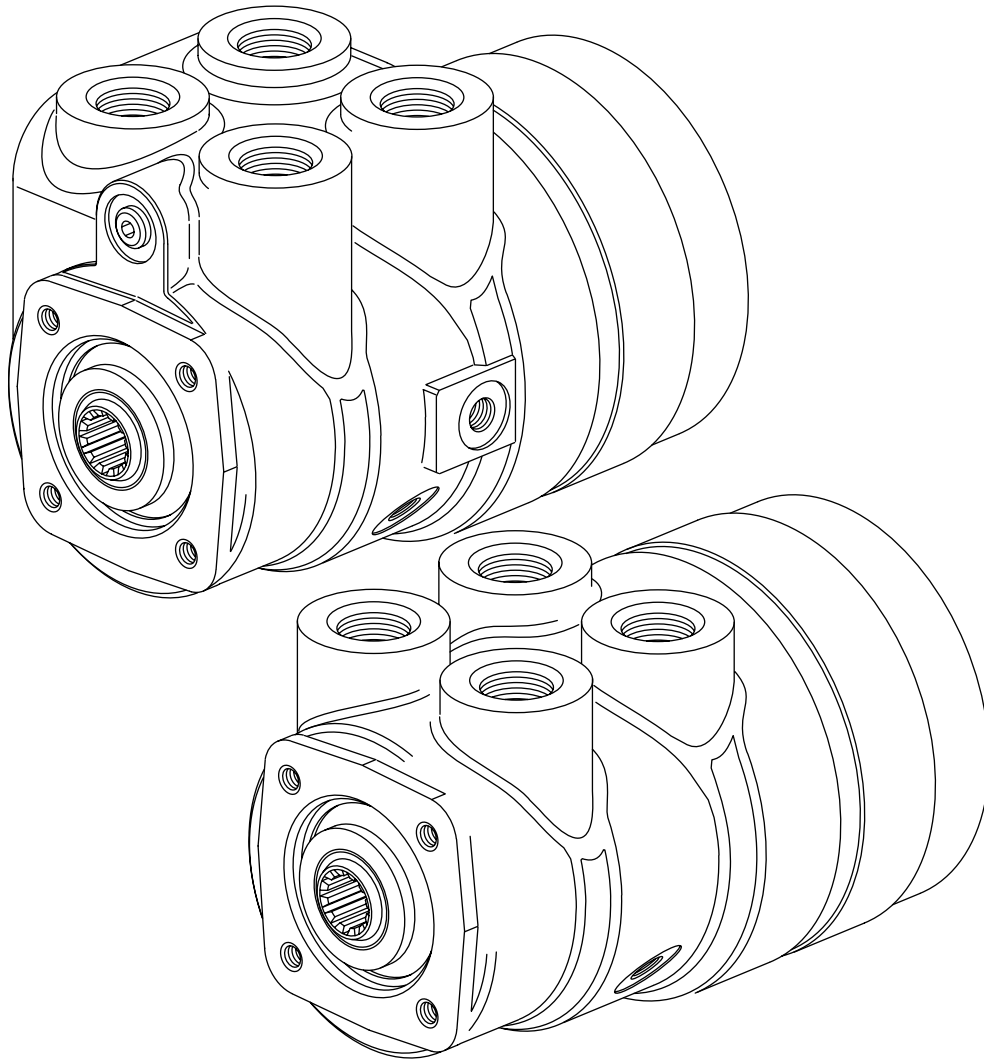


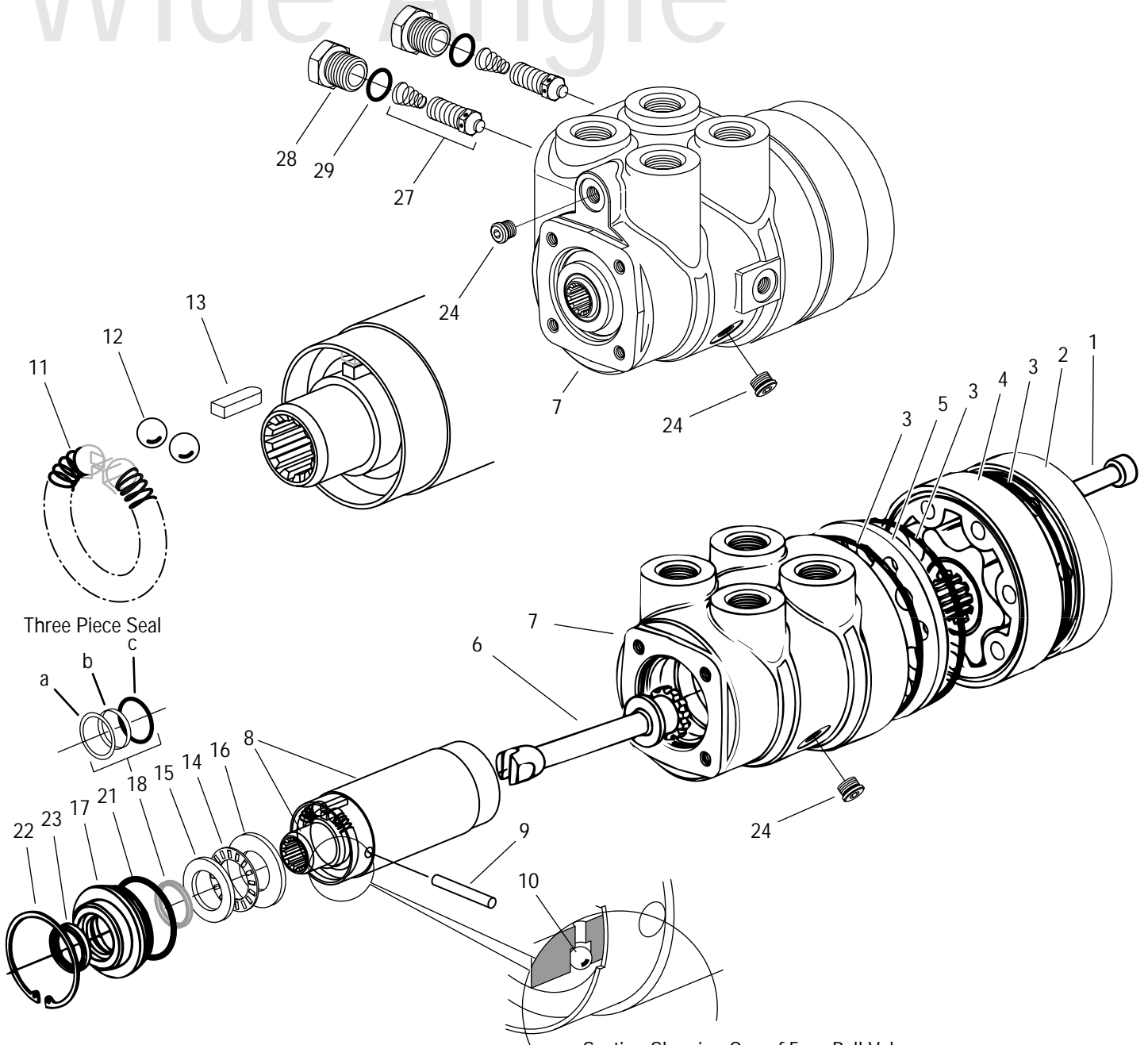


Parts Information



25 Series — Wide Angle
Steering Control Units

Wide Angle



Section Showing One of Four Ball Valves

Actual Displacement cm ³ /r [in ³ /r]	Ref. No. 4 Gerotor		Ref. No.1 Socket Head Cap Screw	
	Part No.	Width mm [in.]	Part No.	Length mm [in.]
490 [30]	21519-001	23,1 [.91]	16148-824	63,5 [2.50]
625 [38]	21519-002	29,2 [1.15]	16148-826	69,8 [2.75]
795 [48]	21519-003	36,8 [1.45]	16148-830	76,2 [3.00]
985 [60]	21519-004	46,0 [1.81]	16148-834	88,9 [3.50]
1230 [75]	21519-005	57,6 [2.27]	16148-836	95,2 [3.75]
1560 [95]	21519-006	72,9 [2.87]	16148-844	114,3 [4.50]

Wide Angle

Ref. No.	Part Number	Description	Qty. Per Unit
1	*	Screw, Cap	7
2	21509-000	Cap, End	1
X 3	250001-048	Seal, O-ring 120,4 mm [4.74 in.] ID	3
4	*	Gerotor	1
5	21847-000	Plate, Wear	1
6	21514-000	Drive	1
7	NSS	Housing	1
8	NSS	Sleeve, Control	1
	NSS	Spool, Control	1
9	14451-000	Pin, Centering	1
10	285020-050	Ball	4
11	230366-000	Spring, Centering	1
12	18001-000	Ball	2
13	14529-000	Key, Rectangular	1
14	5544-000	Bearing, Needle Thrust	1
15	8329-000	Race, Bearing	1
16	14602-000	Race, Bearing	1
17	23542-000	Retainer, Front	1
X 18	a 14400-000	Backup Ring	1
X	b 9092-033	Seal — 25,2 mm [.99 in.] ID	1
X	c 250001-121	Seal, O-ring — 26,6 mm [1.05 in.] ID	1
X 21	250001-136	Seal, O-ring, 50,5 mm [1.99 in.] ID	1
22	14296-000	Ring, Retaining	1
X 23	844-000	Seal, Dust, 31,7 mm [1.25 in.] OD	1
24	9072-003	Plug/O-ring S/A (7/16-20 UNF Port)	1 or 2**
X	250003-904	Seal, O-ring 8,9 mm [.35 in.] ID	1
	9037-002	Plug/O-ring S/A (M12 Port)	1
X	16304-012	Seal, O-ring 9,4 mm [.37 in.] ID	1
27**	106121-300	Valve, Power Limiter (207 bar [3000 PSI])	2
	106121-325	Valve, Power Limiter (224 bar [3250 PSI])	2
	106121-350	Valve, Power Limiter (234 bar [3390 PSI])	2
		Valve, Power Limiter (240 bar [3480 PSI])	2
		Valve, Power Limiter (241 bar [3500 PSI])	2
	106121-375	Valve, Power Limiter (259 bar [3760 PSI])	2
	106121-400	Valve, Power Limiter (276 bar [4000 PSI])	2
	106121-425	Valve, Power Limiter (293 bar [4250 PSI])	2
28**	104875-000	Plug, Valve	2
X 29**	250003-910	Seal, O-ring, 19,2 mm [.76 in.] ID	2
	64546-000	Seal Kit — Contains Parts Indicated by X.	
	64462-000	Centering Spring Kit (Ref No. 11, 12, and 13)	

* — See Chart on Page 2 for Information on Specific Models

** — Steering Control Units with Cylinder Relief Valve

NSS — Not Sold Separately

Wide Angle

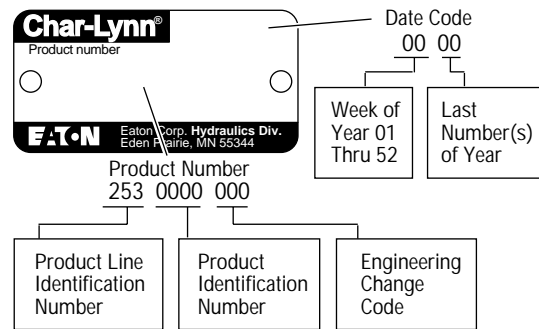
How to Order Replacement Parts

Each Order Must Include the Following:

1. Product Number
2. Date Code
3. Part Name
4. Part Number
5. Quantity of Parts

For More Detailed Information Contact Eaton Corp. Hydraulics Division 15151 Highway 5 Eden Prairie, MN 55344.

- Specifications and performance data, Catalog No. 11-872
- When servicing Steering Control Unit Refer to Repair Information No. 7-306. This repair manual lists tools required, and step by step disassembly and reassembly procedures.



Eaton Corporation
Hydraulics Division
15151 Hwy. 5
Eden Prairie, MN 55344
Telephone 612/937-9800
Fax 612/937-7130

Eaton Ltd.
Hydraulics Division
Glenrothes, Fife
Scotland, KY7 4NW
Telephone 01-592-771-771
Fax 01-592-773-184

Eaton GmbH
Hydraulics Products
Am Schimmersfeld 7
40880 Ratingen, Germany
Telephone 02102-406-830
Fax 02102-406-800



Quality System Certified
Products in this catalog are manufactured
in an ISO-9001-certified site.

<http://www.eaton.com>

Copyright Eaton Corporation, 1995 and 1997
All Rights Reserved
Printed in USA

Form No. 6-325

