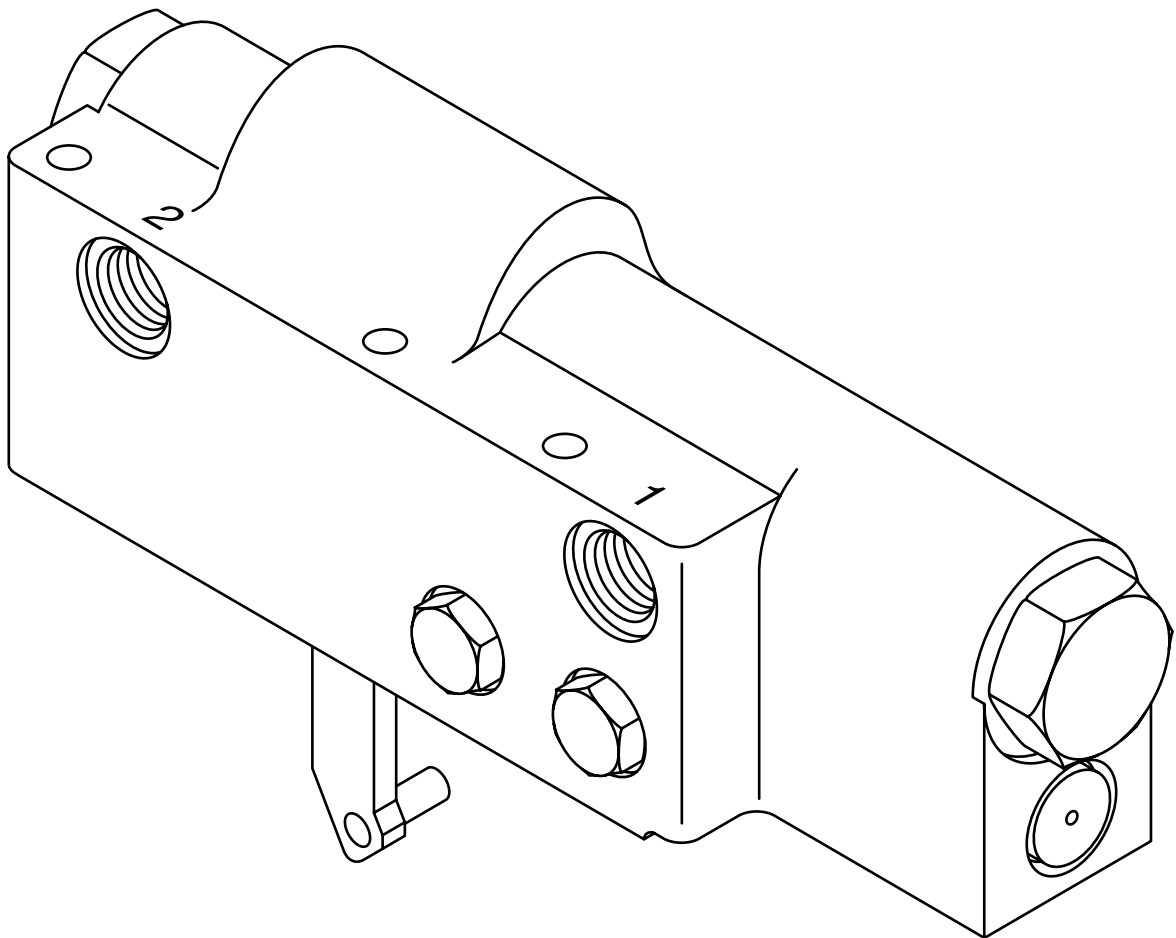


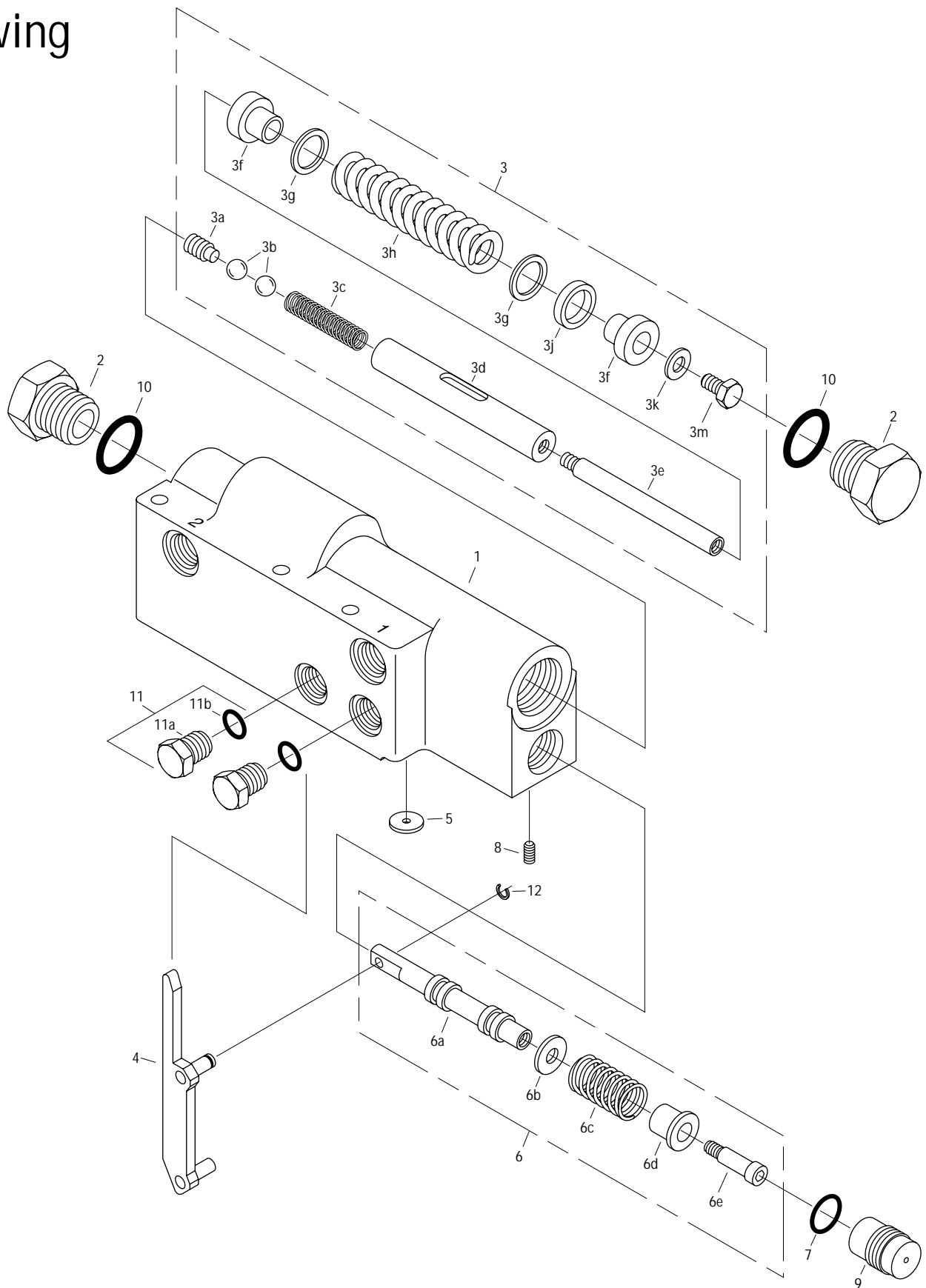


## Parts Information



Hydraulic Remote Controller

# Parts Drawing



# Parts List

Item	Part Number	Description	Qty.
1	102519 - 000	Housing	1
2	102871 - 000	Plug	2
3	◇	Control Piston Subassembly	1
3a	102556 - 000	Set Screw 3/8-16	1
3b	95881 - 031	Ball – Grade 200	2
3c	102502 - 000	Centering Spring	1
3d	NSS	Control Piston	1
3e	NSS	Bushing Rod	1
3f	NSS	Piston Bushing	2
3g	NSS	Bushing Washer	2
3h	NSS	Control Spring	1
3j	NSS	Spacer*	1
3k	NSS	Washer	1
3m	NSS	Bolt 1/4-20	1
4	102509 - 000	Control Link (Models 33 – 64)	1
4	102873 - 000	Control Link (Models 33 – 64 with POR)	1
4	102657 - 000	Control Link (Model 76)	1
4	102875 - 000	Control Link (Model 76 with POR)	1
5	◇	Orifice	1
6	25471 - 000	Control Spool Subassembly	1
6	101336 - 000	Control Spool Subassembly – Wide Band Neutral	1
6a	NSS	Control Spool	1
6a	NSS	Control Spool – Wide Band Neutral	1
6b	NSS	Spring Washer	1
6c	NSS	Control Spool Spring	1
6d	NSS	Spring Retainer	1
6e	NSS	Shoulder Screw	1
7	8761 - 016	O-ring	1
8	98361 - 038	Set Screw	1
9	101373 - 000	Spring Box Adjustment Screw	1
10	8785 - 012	Tube Fitting O-ring	2
11	25090 - 006	O-ring Plug Subassembly	2
11a	NSS	Plug	2
11b	8785 - 006	O-ring	2
12	96098 - 025	Retaining Ring	1

\* – Not used on all units

◇ – See table for specific part number

NSS – Not Sold Separately

## Hydraulic Remote Controller Kits

Kits contain controller, orifice, mounting bolts, and gasket.

When ordering, put the desired orifice size, in thousandths of an inch, in place of the - XXX at the end of the kit number. See the Item 5 – Orifice table for available sizes.

Model	Pressure Range (bar [PSI])	Special Features	Kit Number
33 – 64	.69 - 10.35 [0 - 150]		990196 - XXX
33 – 64	3.44 - 12.41 [50 - 180]		990197 - XXX
76	.69 - 10.35 [0 - 150]		990241 - XXX
76	3.44 - 12.41 [50 - 180]		990242 - XXX
33 – 64	4.96 - 14.96 [ 72 - 217]		990243 - XXX
33 – 64	.69 - 10.35 [0 - 150]	POR	990265 - XXX
76	.69 - 10.35 [0 - 150]	POR	990266 - XXX
33 – 64	3.44 - 12.41 [50 - 180]	POR	990267 - XXX
76	3.44 - 12.41 [50 - 180]	POR	990268 - XXX
33 – 64	4.96 - 14.96 [ 72 - 217]	POR	990269 - XXX
33 – 64	13.79 - 24.13 [200 - 350]	POR	990270 - XXX
76	13.79 - 24.13 [200 - 350]	POR	990271 - XXX
33 – 64	13.79 - 24.13 [200 - 350]		990326 - XXX
76	4.96 - 14.96 [ 72 - 217]		990335 - XXX

## Item 5 – Orifice

Orifice Size (inches)	Part Number
.028	101619 - 028
.036	101619 - 036
.044	101619 - 044
.052	101619 - 052
.057	101619 - 057
.065	101619 - 065
.073	101619 - 073
.094	101619 - 094
.102	101619 - 102

## Item 3 – Control Piston Subassembly

Pressure Range (bar [PSI])	Part Number
.69 - 10.35 [0 - 150]	102515 - 000
3.44 - 12.41 [50 - 180]	102516 - 000
4.96 - 14.96 [ 72 - 217]	102661 - 000
13.79 - 24.13 [200 - 350]	102878 - 000

Eaton Corporation  
Hydraulics Division  
15151 Hwy. 5  
Eden Prairie, MN 55344  
Telephone 612/937-9800  
Fax 612/937-7130

Eaton Ltd.  
Hydraulics Division  
Glenrothes, Fife  
Scotland, KY7 4NW  
Telephone 01-592-771-771  
Fax 01-592-773-184

Eaton GmbH  
Hydraulics Products  
Am Schimmersfeld 7  
40880 Ratingen, Germany  
Telephone 02102-406-830  
Fax 02102-406-800



Quality System Certified  
Products in this catalog are manufactured  
in an ISO-9001-certified site.