

Hydraulics

S
C
h
y
d
r
a
u
n
i
c
s

Char-Lynn®
Hydraulic Motors

No. 11-876
October 1997



General Purpose Motors
A Series

We Manufacture

Solutions

A Series



A

A Series

Gerotor Element	11 Displacements
Flow LPM [GPM]	45 [12] Continuous**
	57 [15] Intermittent*
Speed	Up to 1215 RPM
Pressure Bar [PSI] ...	80 [1200] Cont.
	115 [1700] Inter.
Torque Nm [lb-in]	170 [1520] Cont.
	295 [2635] Inter.

Char-Lynn A Series motors are designed for use in light duty applications, while providing many hours of dependable trouble free service. These A Series motors will provide all the power needed for light duty applications such as, augers, car wash brush drives, fishing gurdys, salt and sand spreaders, drill and tap drives in machine tools, and numerous other applications.

A Series Displacement Size = cubic centimeter per shaft revolution (cm^3/r)
 = cubic inch per shaft revolution (in^3/r)

- 36 [2.2]
- 46 [2.8]
- 59 [3.6]
- 74 [4.5]
- 97 [5.9]
- 120 [7.3]
- 146 [8.9]
- 159 [9.7]
- 185 [11.3]
- 231 [14.1]
- 293 [17.9]

Mounting Flange

- 2 Bolt (Standard) 82,6 [3.25] Pilot Dia. and 13,59 [.535] Dia. Mounting Holes 106,2 [4.18] Dia. B.C.
- 4 Bolt (Standard) 44,4 [1.75] Pilot Dia. and 3/8-16 Mounting Holes 82,6 [3.25] Dia. B.C.
- 4 Bolt (Standard) 44,4 [1.75] Pilot Dia. and M10 x 1,5 Mounting Holes 82,6 [3.25] Dia. B.C.

Output Shaft

- 1 inch Dia. Straight with Woodruff Key and 1/4-20 Threaded Hole
- 1 inch Dia. SAE 6B Splined with 1/4-20 Threaded Hole
- 1 inch Dia. Straight with 7,9 [.31] Dia. Crosshole 11,2 [.44] from End
- 1 inch Dia. Straight with 10,2 [.40] Dia. Crosshole 15,7 [.62] from End and 1/4-20 Threaded Hole
- 1 inch Dia. Tapered with Woodruff Key and Nut
- 1 inch Dia. Straight with Woodruff Key and 1/4-20 Threaded Hole (Plated for Corrosion Protection)

Port Type

- 7/8-14 O-ring
- 1/2-14 NPTF
- Manifold (5/16-18 Mounting Threads)
- 3/4-16 O-ring (End Ported)

Case Drain

- No Case Drain
- 7/16-20 O-ring Port End Cap

Special Features Available

- Reverse Rotation
- Flange Rotated 90°
- Corrosion Protected
- Viton® Shaft Seal
- Free Running Gerotor
- Reduced Journal Leakage
- Low Speed Valve

Viton® is a Registered Trade Name of Dupont Corp.

** Continuous— (Cont.) Continuous rating, motor may be run continuously at these ratings.

* Intermittent— (Inter.) Intermittent operation, 10% of every minute.

A Series

Shaft Seal

This high pressure shaft seal has a patented feature which allows the seal lip to follow shaft deflection, and therefore provides better sealing under high side load conditions. Deflection occurs as radial loads are applied to the output shaft. This time proven shaft seal design and construction is the same as that used in the popular Char-Lynn disc valve motors and is available in either buna or Viton®. With this shaft seal the motors can withstand high back pressures without an external case drain. The motors can be connected together in series, or parallel to one another.

Low Speed Valving

These motors with the low speed valving option provide very low speed while maintaining high torque. Designed to run continuously at up to 200 RPM at standard rated pressures and reduced flows, providing smooth operation at low speeds. Furthermore, they resist slippage and have more momentary load holding ability than the standard A Series motors. Motors with this valving are not intended for low pressure applications (41 Bar [600 PSI] Minimum). Shaft side / radial load ratings are not affected by this valving.

Free Running Motors

A Series motors can be ordered with a special gerotor to permit free running of the output shaft. With this special feature, performance might be affected when extreme conditions exist. Overall efficiency may be reduced slightly.

Corrosion Protected

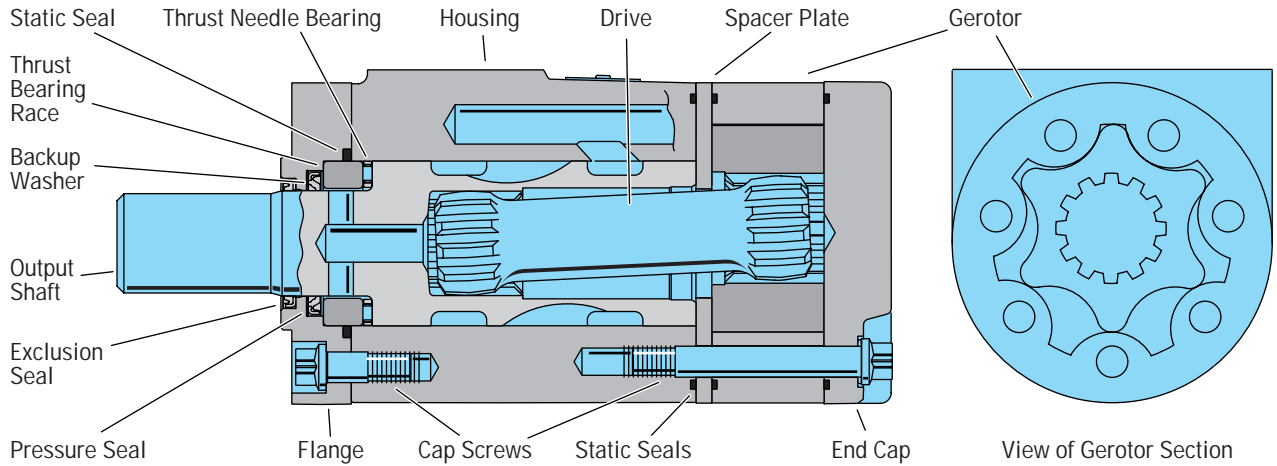
A Series motors are available with a corrosion resistant coating for use in an hostile environment. This coating protects the motor from salt water and various chemicals. It is especially effective in marine, food processing, car wash, fishing, and agricultural applications. Shaft plating helps eliminate seal damage caused by these caustic or acid materials on this otherwise unprotected shaft sealing area. Corrosion protected motors are available with just the output shaft plated, or protected with an entire motor exterior coating.

Catalog Contents

	page
Specifications	5
Performance Data	6-8
Dimensions — Product (Mtg., Shafts, and Ports Listed Below)	9
Product Numbers (Standard Units)	10
Shaft Side Load Capacity	11
Dimensions — Shafts	12-13
Dimensions — Ports	14
Case Pressure and Case Drain	15-16
Dimensions — Mtg. Options/Mtg. Kit	17
Fluid Recommendations	18
Model Code (Special* — Orders)	19

* Contact your Eaton Representative

Specifications A Series



Specification Data—A Series

Displ. cm ³ /r [in ³ /r]		36 [2.2]	46 [2.8]	59 [3.6]	74 [4.5]	97 [5.9]	120 [7.3]	146 [8.9]	159 [9.7]	185 [11.3]	231 [14.1]	293 [17.9]
Max. Speed (RPM) @ Continuous Flow		1021	973	762	610	468	375	308	282	243	195	153
Flow LPM [GPM]	Continuous	38 [10]	45 [12]	45 [12]	45 [12]	45 [12]	45 [12]	45 [12]	45 [12]	45 [12]	45 [12]	45 [12]
	Intermittent	38 [10]	57 [15]	57 [15]	57 [15]	57 [15]	57 [15]	57 [15]	57 [15]	57 [15]	57 [15]	57 [15]
Torque Nm [lb-in]	Continuous	33 [294]	44 [391]	50 [442]	66 [582]	88 [778]	101 [891]	123 [1086]	136 [1202]	142 [1254]	157 [1387]	173 [1527]
	Intermittent **	48 [423]	64 [562]	73 [649]	97 [855]	128 [1134]	152 [1342]	185 [1637]	204 [1809]	222 [1965]	257 [2272]	298 [2638]
Min. Starting Torque Nm[lb-in]	@ Cont. Pressure	29 [285]	43 [380]	48 [424]	63 [560]	82 [730]	93 [820]	114 [1010]	124 [1100]	130 [1150]	143 [1270]	160 [1420]
	@ Int. Pressure	46 [410]	62 [550]	70 [623]	94 [830]	121 [1070]	141 [1250]	173 [1530]	189 [1670]	205 [1810]	237 [2100]	278 [2460]
Pressure Δ Bar [Δ PSI]	Continuous*	83 [1200]	83 [1200]	76 [1100]	76 [1100]	76 [1100]	69 [1000]	69 [1000]	69 [1000]	62 [900]	55 [800]	48 [700]
	Intermittent**	117 [1700]	117 [1700]	110 [1600]	110 [1600]	110 [1600]	103 [1500]	103 [1500]	103 [1500]	97 [1400]	90 [1300]	83 [1200]

Maximum Case Pressure - without Case Drain — 103 Bar [1500 PSI] — See Page 16

* Maximum intermittent pressure at motor inlet port of 172 Bar [2500 PSI] without regard to Δ Bar [Δ PSI] and/or back pressure ratings or combination thereof.

** A simultaneous maximum torque and maximum speed NOT recommended.

6B Splined shaft is recommended whenever operating above 282 Nm [2500 lb-in] of torque, especially for those applications subject to frequent reversals (see page 12).

Δ Bar [Δ PSI]— True pressure difference between inlet port and outlet port.

Continuous Rating — Motor may be run continuously at these ratings.

Intermittent Operation — 10% of every minute.

Recommended Fluids — Premium quality, anti-wear type hydraulic oil. Minimum oil viscosity (at operating temperature)

should be the highest of the following: 100 SUS or $\frac{300 \times \text{Bar}}{\text{RPM}} = \text{SUS}$ $\left[\frac{20 \times \text{PSI}}{\text{RPM}} = \text{SUS} \right]$ (see page 18).

Recommended Maximum System Operating Temp. — Is 82° C [180° F]

Recommended Filtration — per ISO Cleanliness Code, level 18/13

To assure best motor life, run motor for approximately one hour at 30% of rated pressure before application to full load. Be sure motor is filled with fluid prior to any load applications.

Performance Data A Series

Motors Run with High Efficiency in All Areas Designated with a Number for Torque and Speed, However for Best Motor Life Select a Motor to Run with a Torque and Speed Range shown in the Light Blue Area.

36 cm³/r [2.2 in³/r]
 Δ Pressure Bar [PSI]
 Continuous

	[200]	[400]	[600]	[800]	[1000]	[1200]	[1700]
	14	28	41	55	69	83	117
[2]	[38]	[92]	[143]	[192]	[242]	[292]	[416]
	4	10	16	22	27	33	47
7,6	204	204	201	197	194	190	173
[4]	[37]	[90]	[143]	[193]	[244]	[293]	[419]
	4	10	16	22	28	33	47
15,1	408	408	407	403	398	392	371
[6]	[31]	[89]	[140]	[191]	[241]	[294]	[422]
	4	10	16	22	27	33	48
22,7	613	613	613	607	602	595	573
[8]	[27]	[84]	[135]	[187]	[240]	[294]	[423]
	3	9	15	21	27	33	48
30,3	817	817	812	805	805	797	772
[10]	[23]	[77]	[131]	[181]	[237]	[290]	[420]
	3	9	15	20	27	33	47
37,9	1021	1021	1021	1017	1009	1001	973

Max. Continuous

Max. Inter-mittent

[84]
9 } Torque [lb-in]
Nm
817 } Speed RPM

46 cm³/r [2.8 in³/r]
 Δ Pressure Bar [PSI]
 Continuous

	[200]	[400]	[600]	[800]	[1000]	[1200]	[1700]
	14	28	41	55	69	83	117
[2]	[51]	[122]	[190]	[256]	[321]	[388]	[553]
	6	14	21	29	36	44	62
7,6	162	161	158	155	152	149	136
[4]	[50]	[121]	[190]	[256]	[324]	[389]	[557]
	6	14	21	29	37	44	63
15,1	324	324	320	317	313	308	291
[6]	[43]	[119]	[187]	[254]	[320]	[390]	[560]
	5	13	21	29	36	44	63
22,7	487	486	482	477	473	468	450
[8]	[38]	[112]	[180]	[249]	[319]	[319]	[562]
	4	13	20	28	36	44	64
30,3	649	648	643	638	633	627	607
[10]	[32]	[104]	[175]	[241]	[316]	[386]	[558]
	4	12	20	27	36	44	63
37,9	811	810	805	800	793	787	765
[12]	[26]	[96]	[168]	[234]	[308]	[379]	[553]
	3	11	20	26	35	43	62
45,4	973	973	967	962	955	946	922
Max. Inter-mittent	[15]	[20]	[79]	[150]	[223]	[293]	[365]
	56,8	2	9	17	25	33	41
		1216	1215	1207	1200	1191	1181

Max. Continuous

Max. Inter-mittent

59 cm³/r [3.6 in³/r]
 Δ Pressure Bar [PSI]
 Continuous

	[200]	[400]	[600]	[800]	[1000]	[1100]	[1600]
	14	28	41	55	69	76	110
[2]	[66]	[153]	[236]	[318]	[400]	[441]	[646]
	7	17	27	36	45	50	73
7,6	127	126	125	122	120	118	107
[4]	[62]	[149]	[233]	[316]	[400]	[442]	[649]
	7	17	26	36	45	50	73
15,1	254	254	253	250	246	245	232
[6]	[56]	[145]	[232]	[313]	[395]	[438]	[649]
	6	16	26	35	45	50	73
22,7	381	381	381	378	374	372	359
[8]	[50]	[138]	[222]	[306]	[392]	[435]	[649]
	6	16	25	35	44	49	73
30,3	508	508	508	505	501	499	485
[10]	[40]	[128]	[213]	[297]	[386]	[428]	[640]
	5	14	24	34	44	48	72
37,9	635	635	635	633	628	626	611
[12]	[30]	[117]	[204]	[287]	[375]	[419]	[632]
	3	13	23	32	42	47	71
45,4	762	762	762	760	755	752	737
Max. Inter-mittent	[15]	[18]	[95]	[181]	[269]	[356]	[398]
	56,8	2	11	20	30	40	45
		953	953	953	949	943	940

Max. Continuous

Max. Inter-mittent

74 cm³/r [4.5 in³/r]
 Δ Pressure Bar [PSI]
 Continuous

	[200]	[400]	[600]	[800]	[1000]	[1100]	[1500]
	14	28	41	55	69	76	103
[2]	[87]	[202]	[311]	[420]	[527]	[582]	[851]
	10	23	35	47	60	66	96
7,6	101	100	99	97	95	94	94
[4]	[83]	[198]	[307]	[416]	[528]	[582]	[854]
	9	22	35	47	60	66	96
15,1	203	202	200	198	195	194	184
[6]	[76]	[192]	[306]	[413]	[521]	[578]	[855]
	9	22	35	47	60	65	97
22,7	305	304	302	299	296	295	284
[8]	[68]	[183]	[294]	[404]	[518]	[574]	[854]
	8	21	33	46	59	65	96
30,3	407	405	403	400	397	395	384
[10]	[56]	[171]	[283]	[392]	[510]	[566]	[844]
	6	19	32	44	58	64	95
37,9	508	507	504	501	497	495	484
[12]	[43]	[157]	[272]	[380]	[496]	[554]	[833]
	5	18	31	43	56	63	94
45,4	610	608	605	602	598	596	583
Max. Inter-mittent	[15]	[28]	[129]	[242]	[359]	[472]	[528]
	56,8	3	15	27	41	53	60
		762	760	756	751	747	744

Max. Continuous

Max. Inter-mittent

Performance Data is Typical at 120 SUS. Actual data may vary slightly from unit to unit in production

Performance Data A Series

Motors Run with High Efficiency in All Areas Designated with a Number for Torque and Speed, However for Best Motor Life Select a Motor to Run with a Torque and Speed Range shown in the Light Blue Area.

97 cm³/r [5.9 in³/r]
 Δ Pressure Bar [PSI]
 Continuous

	[200] 14	[400] 28	[600] 41	[800] 55	[1000] 69	[1100] 76	[1600] 110
[2]	[122] 14	[271] 31	[415] 47	[562] 64	[704] 80	[778] 88	[1133] 128
7,6	78	76	75	74	72	71	62
[4]	[113] 13	[265] 30	[405] 46	[551] 62	[700] 79	[774] 87	[1134] 128
15,1	156	154	154	152	149	148	140
[6]	[108] 12	[253] 29	[410] 46	[547] 62	[693] 78	[767] 87	[1132] 128
22,7	234	233	231	230	228	226	218
[8]	[98] 11	[244] 28	[390] 44	[535] 60	[685] 77	[757] 86	[1127] 127
30,3	312	311	309	307	305	304	295
[10]	[78] 9	[230] 26	[373] 42	[521] 59	[671] 76	[743] 84	[1113] 126
37,9	390	389	387	384	382	381	372
Max. Continuous	[59] 7	[210] 24	[359] 41	[504] 57	[651] 74	[728] 82	[1095] 124
45,4	468	466	464	462	459	458	449
Max. Inter-mittent	[15] 4	[32] 19	[172] 36	[319] 53	[471] 70	[620] 78	[691] 78
56,8	585	582	580	577	574	572	

120 cm³/r [7.3 in³/r]
 Δ Pressure Bar [PSI]
 Continuous

	[200] 14	[400] 28	[600] 41	[800] 55	[1000] 69	[1500] 103
[2]	[156] 18	[342] 39	[525] 59	[708] 80	[891] 101	[1340] 151
7,6	63	61	60	59	57	50
[4]	[148] 17	[333] 38	[515] 58	[701] 79	[885] 100	[1342] 152
15,1	125	124	123	122	120	114
[6]	[140] 16	[323] 36	[511] 58	[692] 78	[875] 99	[1339] 151
22,7	188	188	186	185	183	175
[8]	[125] 14	[311] 35	[494] 56	[676] 76	[863] 98	[1328] 150
30,3	251	250	248	247	245	237
[10]	[107] 12	[294] 33	[475] 54	[660] 75	[846] 96	[1305] 147
37,9	313	312	311	309	307	299
Max. Continuous	[82] 9	[270] 31	[455] 51	[638] 72	[822] 93	[1288] 146
45,4	375	374	373	371	369	361
Max. Inter-mittent	[15] 5	[44] 26	[226] 46	[410] 68	[599] 89	[787] 89
56,8	469	467	466	464	462	

146 cm³/r [8.9 in³/r]
 Δ Pressure Bar [PSI]
 Continuous

	[200] 14	[400] 28	[600] 41	[800] 55	[1000] 69	[1500] 103
[2]	[190] 21	[416] 47	[641] 72	[863] 98	[1086] 123	[1633] 185
7,6	51	50	49	49	47	41
[4]	[180] 20	[406] 46	[628] 71	[854] 96	[1079] 122	[1637] 185
15,1	103	102	101	100	98	93
[6]	[171] 19	[394] 45	[623] 70	[844] 95	[1067] 121	[1633] 185
22,7	154	154	153	151	150	143
[8]	[153] 17	[379] 43	[602] 68	[824] 93	[1053] 119	[1620] 183
30,3	206	205	203	203	201	194
[10]	[130] 15	[358] 40	[579] 65	[805] 91	[1032] 117	[1591] 172
37,9	256	256	255	254	252	245
Max. Continuous	[100] 11	[329] 37	[555] 63	[778] 88	[1002] 113	[1570] 177
45,4	308	307	306	304	303	296
Max. Inter-mittent	[15] 6	[54] 31	[276] 56	[500] 83	[731] 108	[959] 108
56,8	385	383	382	380	379	

159 cm³/r [9.7 in³/r]
 Δ Pressure Bar [PSI]
 Continuous

	[200] 14	[400] 28	[600] 41	[800] 55	[1000] 69	[1500] 103
[2]	[212] 24	[459] 52	[710] 80	[952] 108	[1202] 136	[1804] 204
7,6	47	46	45	44	43	36
[4]	[205] 23	[446] 50	[698] 79	[949] 107	[1194] 135	[1809] 204
15,1	94	94	93	91	90	85
[6]	[193] 22	[440] 50	[681] 77	[933] 105	[1179] 133	[1804] 204
22,7	141	141	140	139	138	130
[8]	[172] 19	[423] 48	[666] 75	[911] 103	[1161] 131	[1787] 202
30,3	189	188	187	186	184	177
[10]	[154] 17	[400] 45	[645] 73	[893] 101	[1139] 129	[1754] 198
37,9	235	235	234	233	231	224
Max. Continuous	[121] 14	[371] 42	[615] 69	[861] 97	[1105] 125	[1731] 196
45,4	282	282	281	279	278	271
Max. Inter-mittent	[15] 7	[65] 36	[316] 63	[561] 92	[813] 120	[1064] 120
56,8	353	352	351	350	348	

[371]
42 } Torque [lb-in]
282 } Nm
282 } Speed RPM

Performance Data is Typical at 120 SUS. Actual data may vary slightly from unit to unit in production

Performance Data A Series

Motors Run with High Efficiency in All Areas Designated with a Number for Torque and Speed, However for Best Motor Life Select a Motor to Run with a Torque and Speed Range shown in the Light Blue Area.

185 cm³/r [11.3 in³/r]
 Δ Pressure Bar [PSI]
 Continuous

	[200] 14	[400] 28	[600] 41	[800] 55	[900] 62	[1400] 97
[2]	[253] 29	[539] 61	[827] 93	[1110] 125	[1254] 142	[1962] 222
7,6	40	40	39	38	37	32
[4]	[245] 28	[528] 60	[817] 92	[1106] 125	[1249] 141	[1965] 222
15,1	81	81	80	79	79	75
[6]	[230] 26	[516] 58	[800] 90	[1087] 123	[1231] 139	[1957] 221
22,7	121	121	120	120	119	113
[8]	[204] 23	[495] 56	[779] 88	[1064] 120	[1209] 137	[1930] 218
30,3	162	162	161	160	159	154
[10]	[182] 21	[466] 53	[748] 85	[1039] 117	[1183] 134	[1896] 214
37,9	202	202	202	201	200	195
[12]	[149] 17	[435] 49	[720] 81	[1006] 114	[1149] 130	[1872] 212
45,4	243	243	242	241	240	235
Max. Continuous						
Max. Inter-mittent	[15] 56,8	[84] 9	[373] 42	[658] 74	[949] 107	[1093] 123

231 cm³/r [14.1 in³/r]
 Δ Pressure Bar [PSI]
 Continuous

	[200] 14	[400] 28	[600] 41	[800] 55	[1300] 90
[2]	[323] 36	[678] 77	[1033] 117	[1387] 157	[2270] 256
7,6	32	32	31	31	27
[4]	[312] 35	[669] 76	[1024] 116	[1380] 156	[2272] 257
15,1	65	65	64	64	61
[6]	[292] 33	[647] 73	[1006] 114	[1356] 153	[2257] 255
22,7	97	97	97	97	92
[8]	[261] 29	[619] 70	[975] 110	[1331] 150	[2221] 251
30,3	130	130	130	128	125
[10]	[230] 26	[583] 66	[929] 105	[1294] 146	[2187] 247
37,9	162	162	162	161	158
[12]	[196] 22	[545] 62	[904] 102	[1259] 142	[2154] 243
45,4	195	195	195	194	190
Max. Continuous					
Max. Inter-mittent	[15] 56,8	[116] 13	[472] 53	[826] 71	[1158] 134

293 cm³/r [17.9 in³/r]
 Δ Pressure Bar [PSI]
 Continuous

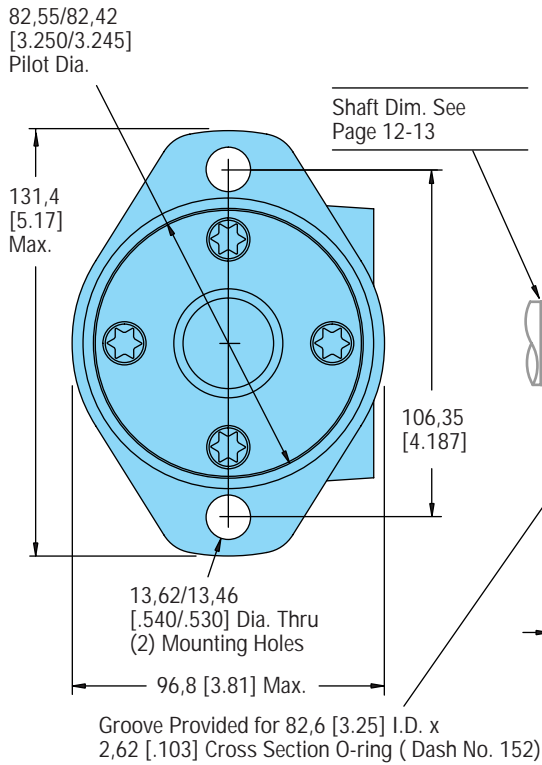
	[200] 14	[400] 28	[600] 41	[700] 48	[1200] 83
[2]	[402] 45	[856] 97	[1300] 147	[1527] 173	[2634] 298
7,6	26	25	25	24	20
[4]	[393] 44	[845] 95	[1297] 147	[1523] 172	[2638] 298
15,1	51	51	51	51	48
[6]	[363] 41	[817] 92	[1268] 143	[1494] 169	[2620] 296
22,7	77	77	77	76	73
[8]	[325] 37	[780] 88	[1235] 140	[1461] 165	[2579] 293
30,3	102	102	102	102	99
[10]	[282] 32	[737] 83	[1180] 133	[1410] 159	[2535] 286
37,9	128	128	128	128	125
[12]	[237] 27	[686] 78	[1141] 129	[1366] 154	[2487] 281
45,4	153	153	153	153	151
Max. Continuous					
Max. Inter-mittent	[15] 56,8	[138] 16	[595] 67	[1050] 119	[1274] 144

[686]
78 } Torque [lb-in]
153 } Nm
Speed RPM

Performance Data is Typical at 120 SUS. Actual data may vary slightly from unit to unit in production

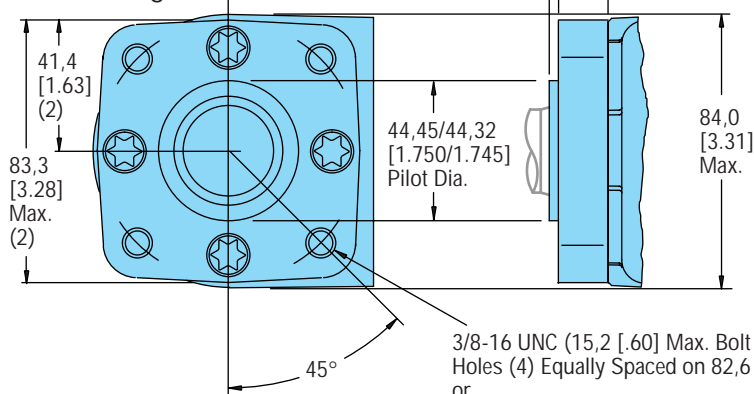
Dimensions A Series

2 Bolt Flange

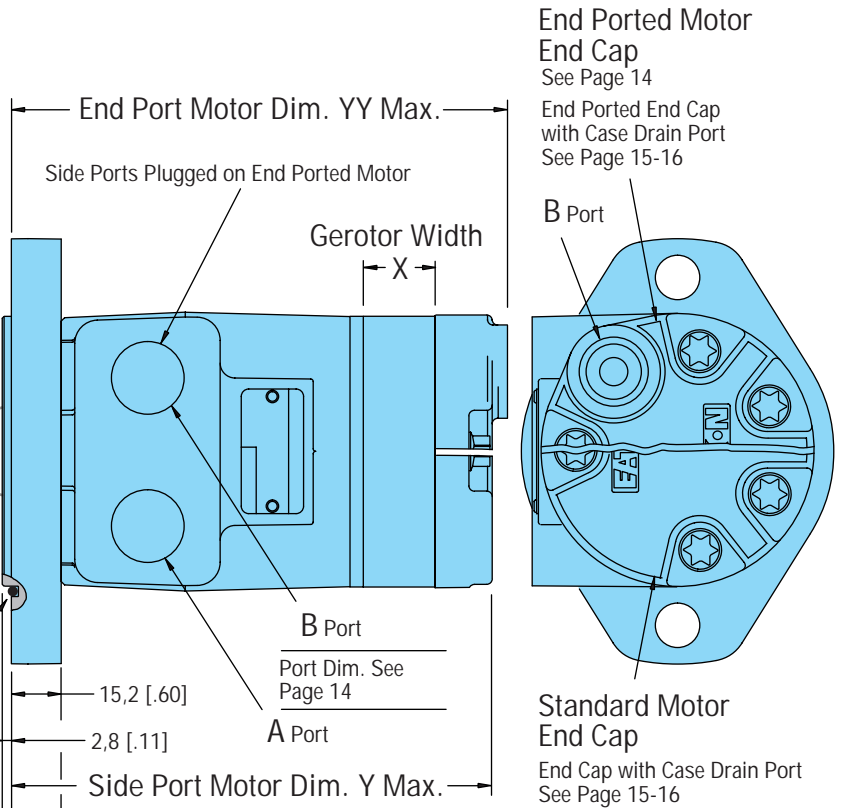


Standard Rotation
Viewed from Shaft End
Port A Pressurized — CW
Port B Pressurized — CCW

4 Bolt Flange



3/8-16 UNC (15,2 [.60] Max. Bolt Thread Engagement) Mounting Holes (4) Equally Spaced on 82,6 [3.25] Dia. Bolt Circle or M10 x 1,5 (15,2 [.60] Max. Bolt Thread Engagement) Mounting Holes (4) Equally Spaced on 82,6 [3.25] Dia. Bolt Circle



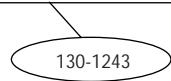
Displ. cm ³ /r [in ³ /r]	X	Y Max.	YY Max.
	Width mm [in.]	Length mm [in.]	
36 [2.2]	6,4 [.25]	132,1 [5.20]	138,5 [5.45]
46 [2.8]	6,4 [.25]	132,1 [5.20]	138,5 [5.45]
59 [3.6]	10,2 [.40]	135,9 [5.35]	142,3 [5.60]
74 [4.5]	10,2 [.40]	135,9 [5.35]	142,3 [5.60]
97 [5.9]	13,2 [.52]	139,0 [5.47]	145,3 [5.72]
120 [7.3]	16,5 [.65]	142,3 [5.60]	148,6 [5.85]
146 [8.9]	20,1 [.79]	145,8 [5.74]	152,2 [5.99]
159 [9.7]	21,9 [.86]	147,6 [5.81]	154,0 [6.06]
185 [11.3]	25,4 [1.00]	151,2 [5.95]	157,5 [6.20]
231 [14.1]	31,8 [1.25]	157,5 [6.20]	
293 [17.9]	40,4 [1.59]	166,2 [6.54]	

Product Numbers A Series 130-xxxx

Product Numbers—A Series

Add three digit prefix —130—to four digit number from chart for complete Product number—Example 130-1243.
Orders will not be accepted without three digit prefix.

Mounting	Shaft	Ports	Displ. cm ³ /r [in ³ /r] Product Number 130-xxxx										
			36 [2.2]	46 [2.8]	59 [3.6]	74 [4.5]	97 [5.9]	120 [7.3]	146 [8.9]	159 [9.7]	185 [11.3]	231 [14.1]	293 [17.9]
2 Bolt Flange	1 in. Straight w/Woodruff Key	7/8-14 O-ring	130-1144	-1013	-1145	-1014	-1015	-1146	-1147	-1016	-1089	-1148	-1149
		1/2 NPTF	130-1150	-1009	-1155	-1010	-1011	-1152	-1153	-1012	-1084	-1154	-1155
		3/4-16 End Ports	130-1156	-1045	-1157	-1046	-1047	-1158	-1159	-1048	-1160	-1161	-1162
	1 in. Straight w/ .31 Dia. Crosshole	7/8-14 O-ring	130-1123	-1069	-1124	-1070	-1071	-1125	-1126	-1072	-1127	-1128	-1129
		1/2 NPTF	130-1130	-1065	-1131	-1066	-1067	-1132	-1133	-1068	-1134	-1135	-1136
		3/4-16 End Ports	130-1137	-1053	-1138	-1054	-1055	-1139	-1140	-1056	-1141	-1142	-1143
	1 in. SAE 6B Splined	7/8-14 O-ring	130-1163	-1029	-1164	-1030	-1031	-1165	-1166	-1032	-1167	-1168	-1169
		1/2 NPTF	130-1170	-1025	-1171	-1026	-1027	-1172	-1173	-1028	-1174	-1175	-1176
		3/4-16 End Ports	130-1177	-1049	-1178	-1050	-1051	-1179	-1180	-1052	-1181	-1182	-1183
4 Bolt Flange	1 in. Straight w/Woodruff Key	7/8-14 O-ring	130-1205	-1005	-1206	-1006	-1007	-1207	-1208	-1008	-1209	-1210	-1211
		1/2 NPTF	130-1212	-1001	-1213	-1002	-1003	-1214	-1215	-1004	-1216	-1217	-1218
		3/4-16 End Ports	130-1219	-1033	-1220	-1034	-1035	-1221	-1222	-1036	-1223	-1224	-1225
	1 in. Straight w/ .31 Dia. Crosshole	7/8-14 O-ring	130-1184	-1061	-1185	-1062	-1063	-1186	-1187	-1064	-1188	-1189	-1190
		1/2 NPTF	130-1191	-1057	-1192	-1058	-1059	-1193	-1194	-1060	-1195	-1196	-1197
		3/4-16 End Ports	130-1198	-1041	-1199	-1042	-1043	-1200	-1201	-1044	-1202	-1203	-1204
	1 in. SAE 6B Splined	7/8-14 O-ring	130-1226	-1021	-1227	-1022	-1023	-1228	-1229	-1024	-1230	-1231	-1232
		1/2 NPTF	130-1223	-1017	-1234	-1018	-1019	-1235	-1236	-1020	-1237	-1238	-1239
		3/4-16 End Ports	130-1240	-1037	-1241	-1038	-1039	-1242	-1243	-1040	-1244	-1245	-1246



For A Series motors with a configuration *Not Shown* in the chart above: Use the model code number system on page 19 to specify the product in detail.

Shaft Side Load Capacity A Series

The hydrodynamic bearing has infinite life when shaft load ratings are not exceeded. Hence, the shaft side load capacity is more than adequate to handle most externally applied loads (such as belts, chains, etc.), providing the motor to shaft size is applied within its torque rating.

Allowable side load chart, shaft load location drawing and load curves (below) are based on the side / radial loads being applied to shaft at locations A, B, and C, to determine the shaft side load capacity at locations other than those shown use the formula (shown below). For more information about shaft side loads on Char-Lynn motors contact your Eaton representative.

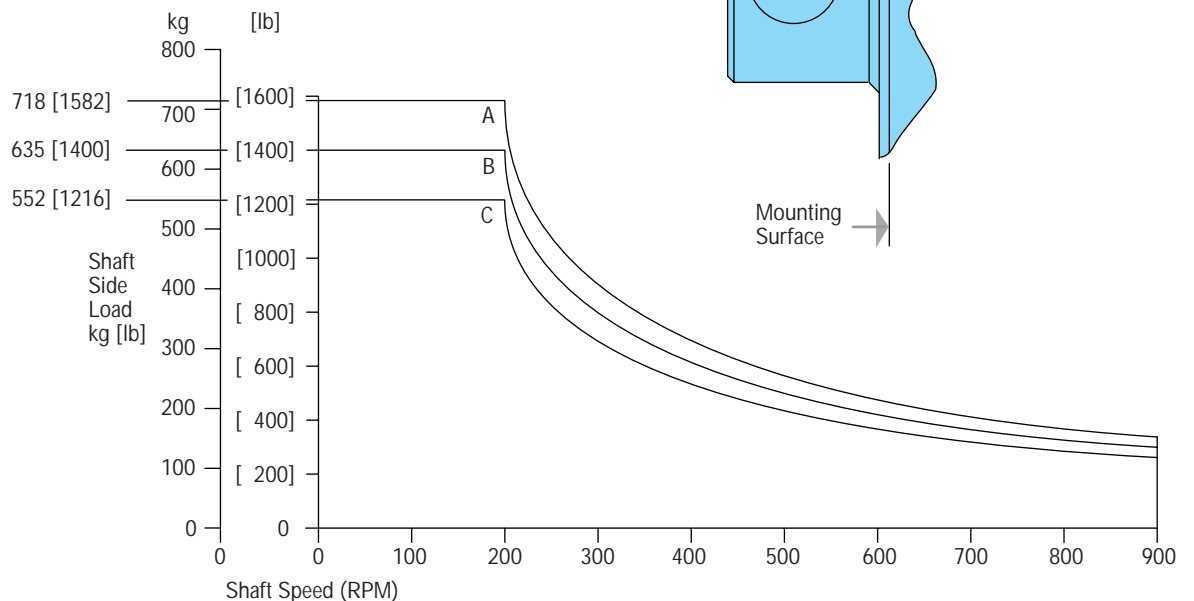
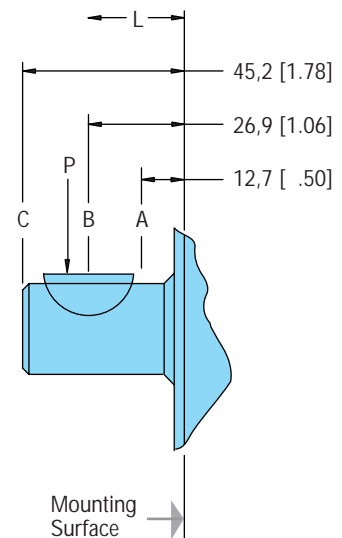
$$\text{Sideload P [kg]} = \frac{900}{N} \left(\frac{16800}{L + 96,3} \right) \quad \text{for 200-900 RPM}$$

$$\text{Sideload P [lb]} = \frac{900}{N} \left(\frac{1460}{L + [3.79]} \right) \quad \text{for 200-900 RPM}$$

Where N = Shaft Speed (RPM)

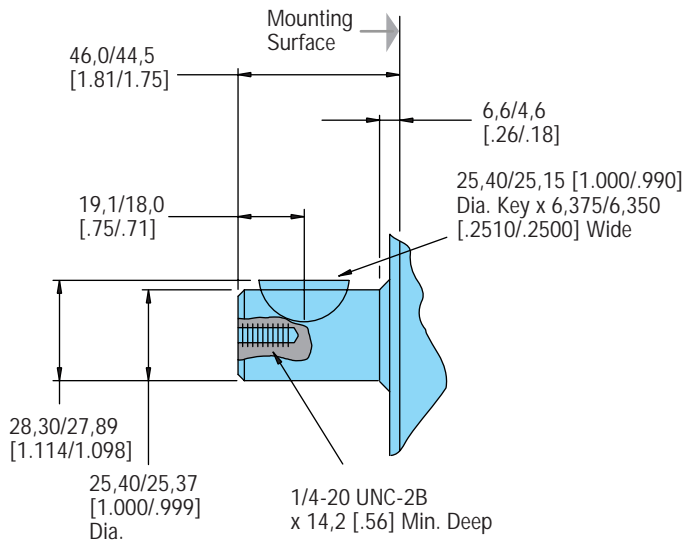
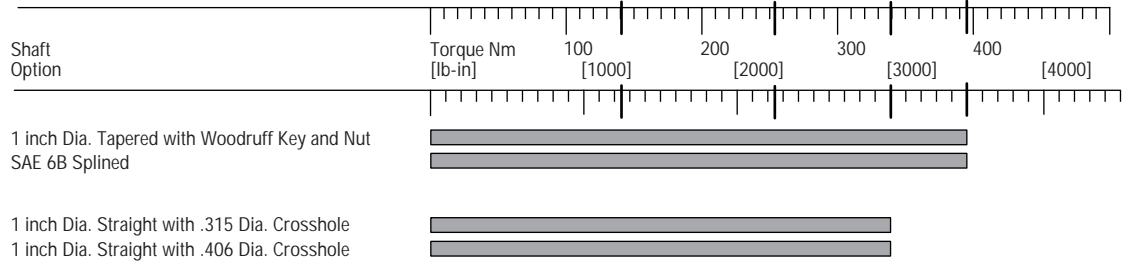
L = Distance from Mounting Surface

RPM	Allowable Shaft Side Load —Kg [lb]		
	A	B	C
900	154 [339]	136 [300]	118 [261]
625	205 [452]	181 [400]	158 [348]
500	256 [565]	227 [500]	197 [435]
400	307 [678]	272 [600]	237 [522]
300	410 [904]	363 [800]	316 [696]
200	718 [1582]	635 [1400]	552 [1216]

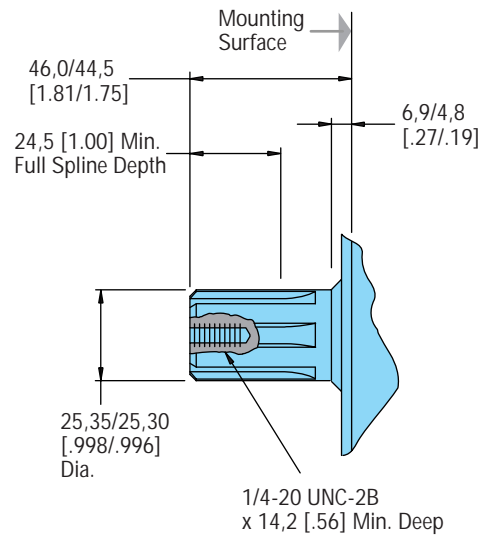


Dimensions — Shafts A Series

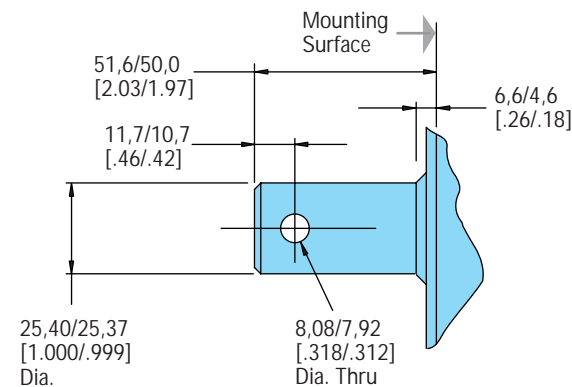
Shaft Size
/Motor Torque
Combination
Limit Guide



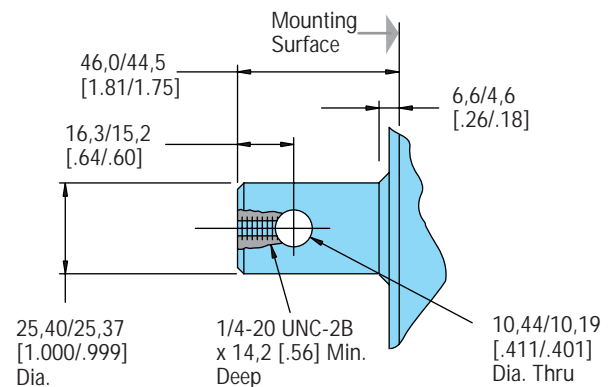
1 in. Dia. Straight with Woodruff Key



SAE 6B Splined Shaft

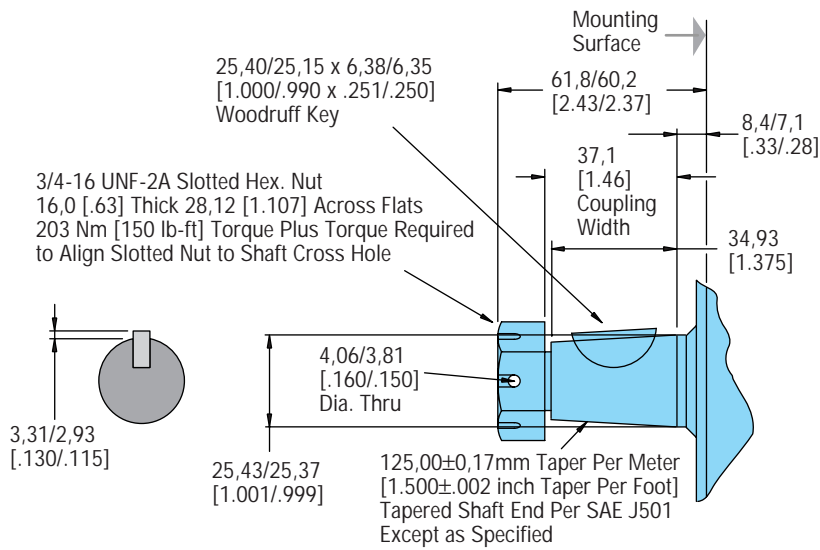


1 in. Dia. Straight Shaft
with .315 Dia. Crosshole



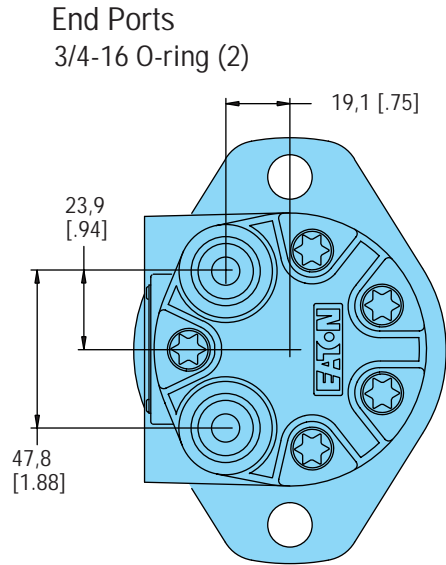
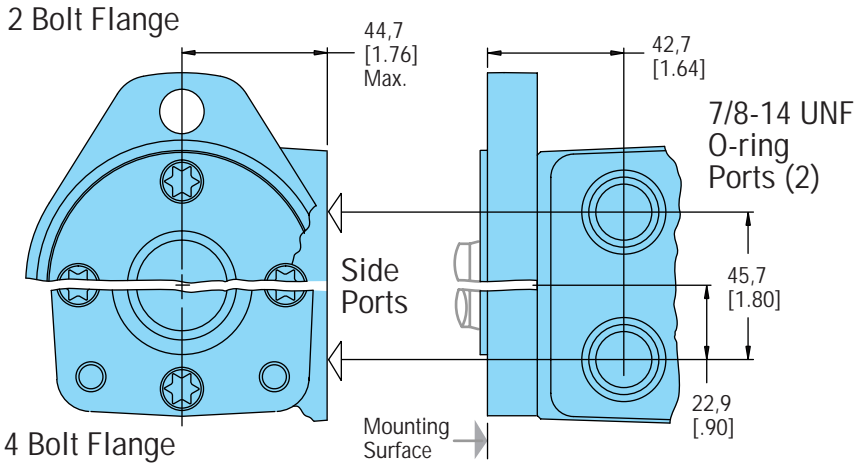
1 in. Dia. Straight Shaft
with .406 Dia. Crosshole

Dimensions — Shafts A Series

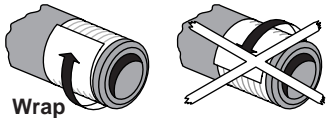


1 in. Dia. Tapered Shaft
with Woodruff Key and Nut

Dimensions — Ports A Series



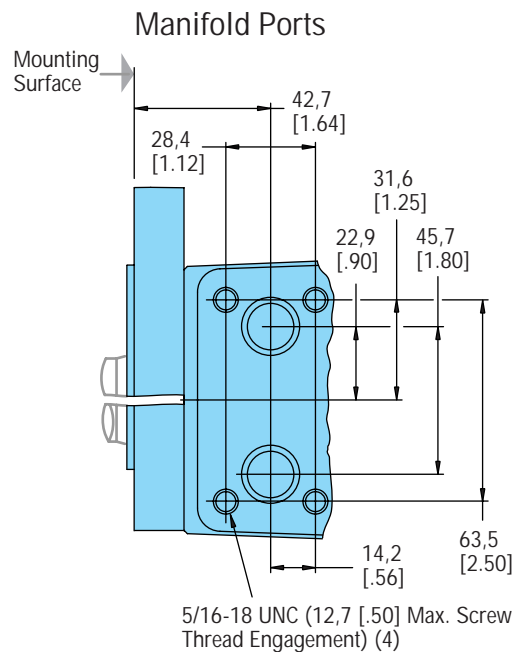
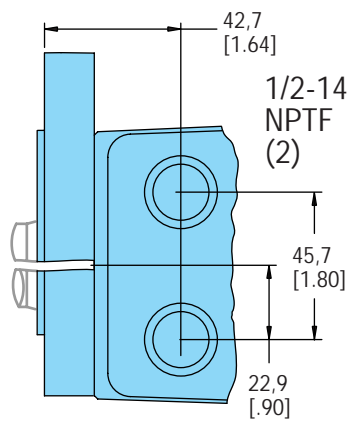
Use of Teflon Tape Sealant/Lubricant (with 1/2 14 NPTF Port Connectors only). When using fittings with Teflon tape, be careful when taping and tightening. Over tightening or



improperly taped fittings can cause damage to housing or leakage.

Use the following procedures:

- Wrap approx. 1 1/2 Turns of 13 mm [1/2 in.] wide Teflon Tape around fitting threads — start tape 2 threads up from end of fitting.
- Tighten threads to a Maximum of 34 Nm [25 lb-ft]. — **Do Not Tighten Further** —
- If fittings leak when tightened to maximum torque, either retape, reseal, or replace fittings.



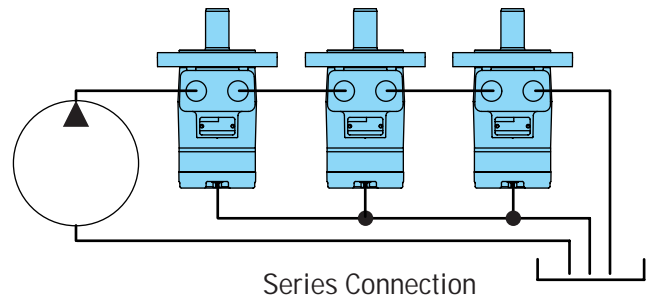
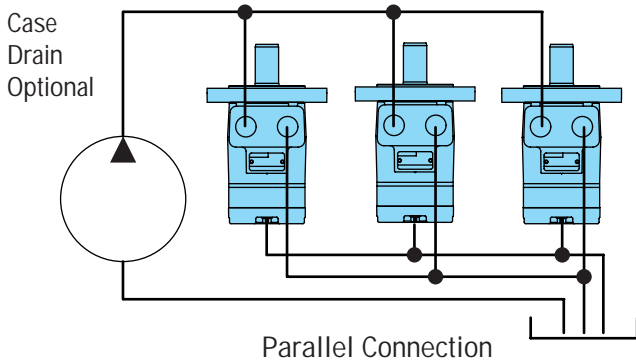
Case Pressure and Case Drain — A Series

Parallel or Series Connection

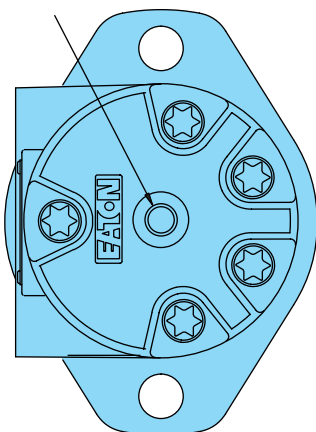
Hydraulic lines bringing pressurized fluid from the pump to the motor and return flow from the motor back to tank can be flexible or rigid. One power source and one pump can be sized to supply one motor or many motors. Furthermore, one pump and multiple motors can be connected in series or in parallel (see each type of connection shown below). When connecting the pump to the motors in series excess internal case pressure is created in the motor, this excess pressure in each motor must be ported back to tank. However, when making a parallel connection from the pump to the motors no excess case pressure will be added. Hence, using the case drain ports are not necessary. Meanwhile, take a look at the application and see if this optional case drain port can be connected to your advantage, whether it be a single motor to pump connection, multiple motors connected to pump in parallel, as well as multiple motors connected to pump in series...

...Case Drain Advantage — In addition to providing lower case pressures for motors connected in series, there are advantages for adding an external case drain line to motors with normal case pressures as well. These advantages are: Contamination Control — flushing the motor case. Cooler Systems — exiting oil draws motor heat away. Extend Motor Seal Life — maintain low case pressure with a preset restriction installed in the case drain line.

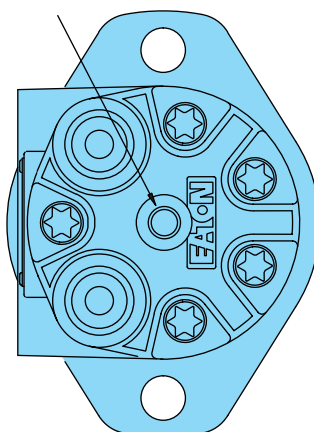
Motors ordered with case drain port will be shipped with steel hex socket plug installed in that end cap drain port.



A Series with Case Drain Port — 7/16-20 O-ring

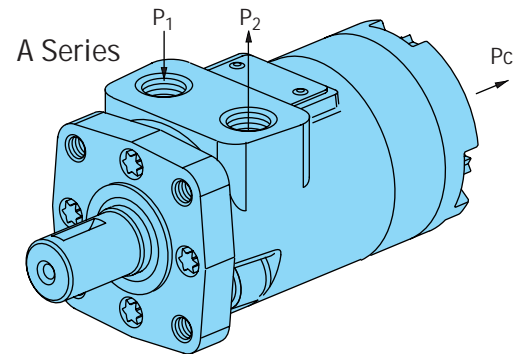
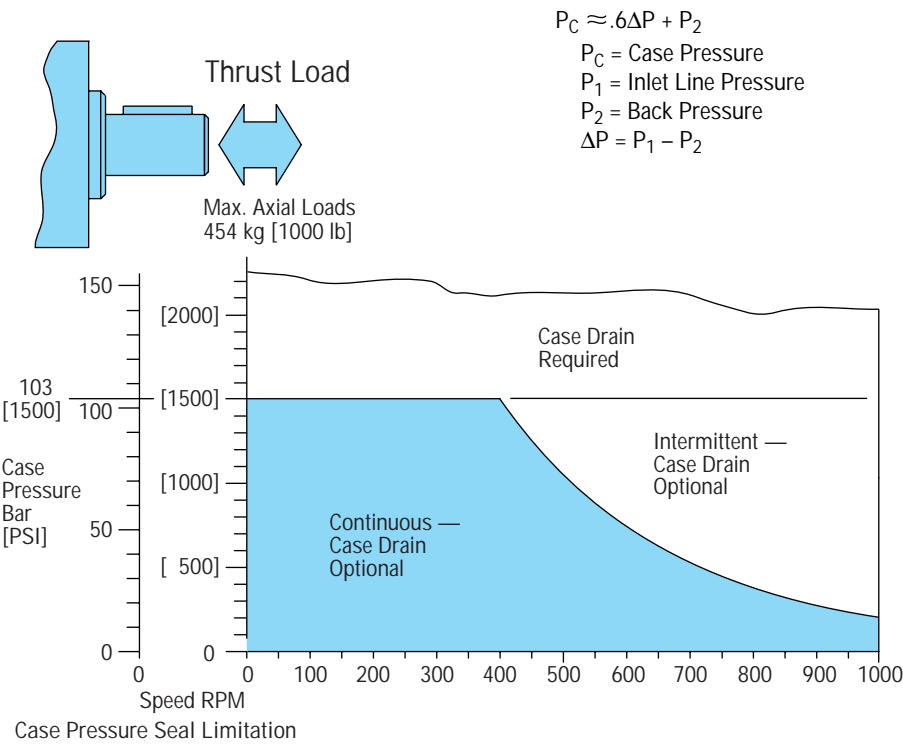


A Series with End Ports and Case Drain Port — 7/16-20 O-ring

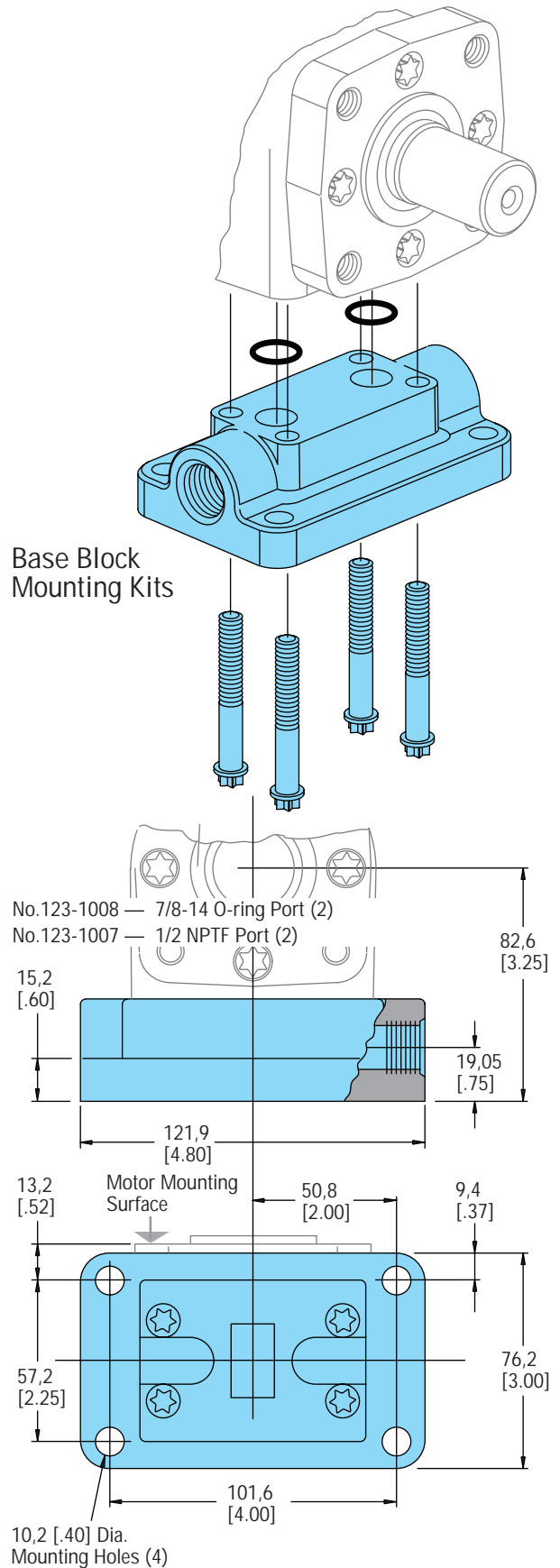


Case Pressure and Case Drain — A Series

Char-Lynn A Series motors are durable and have long life as long as the recommended case pressure is not exceeded. Allowable case pressure is highest at low shaft speeds. Consequently, motor life will be shortened if case pressure exceeds these ratings (acceptability may vary with application). Finally, determine if an external case drain is required (see case pressure seal limitation chart below — chart based on case pressure and shaft speed). In conclusion, if a case drain line is needed, connect drain line to assure that the motor will always remain full of fluid. However, a pressure restriction should be added to the case drain line, during which a motor case pressure of 3,5 Bar [50 PSI] is maintained.



Dimensions — Mounting Options A Series



Fluid Recommendations A Series

Introduction

The ability of Eaton hydraulic components to provide the desired performance and life expectancy depends largely on the fluid used. The purpose of this section is to provide readers with the knowledge required to select the appropriate fluids for use in systems that employ Eaton hydraulic components.

One of the most important characteristics to consider when choosing a fluid to be used in a hydraulic system is viscosity. Viscosity choice is always a compromise; the fluid must be thin enough to flow easily but thick enough to seal and maintain a lubricating film between bearing and sealing surfaces. Viscosity requirements, see chart below.

Viscosity and Temperature

Fluid temperature affects viscosity. In general, as the fluid warms it gets thinner and its viscosity decreases. The opposite is true when fluid cools. When choosing a fluid, it is important to consider the start-up and operating temperatures of the hydraulic system. Generally, the fluid is thick when the hydraulic system is started. With movement, the fluid warms to a point where a cooling system begins to operate. From then on, the fluid is maintained at the temperature for which the hydraulic system was designed. In actual applications this sequence varies; hydraulic systems are used in many environments from very cold to very hot. Cooling systems also vary from very elaborate to very simple, so ambient temperature may affect operating temperature. Equipment manufacturers who use Eaton hydraulic components in their products should anticipate temperature in their designs and make the appropriate fluid recommendations to their customers.

Cleanliness

Cleanliness of the fluid in a hydraulic system is extremely important. Eaton recommends that the fluid used in its hydraulic components be maintained at ISO Cleanliness Code 18/13 per SAE J1165. This code allows a maximum of 2500 particles per milliliter greater than 5 µm and a maximum of 80 particles per milliliter greater than 15 µm. Cleanliness requirements for specific products are given in the table below.

OEM's and distributors who use Eaton hydraulic components in their products should provide for these requirements in their designs.

Product Line	Viscosity		ISO Cleanliness Requirements
	Minimum	Best Range	
A Series	100 SUS 20 cSt	100-200 SUS 20-43 cSt	18/13

Additional Notes:

- Fluids too thick to flow in cold weather start-ups will cause pump cavitation and possible damage. Motor cavitation is not a problem during cold start-ups.
- When choosing a hydraulic fluid, all the components in the system must be considered and the best viscosity range adjusted accordingly. For example, when a medium duty piston pump is combined with a Geroler motor the best viscosity range becomes 100 - 150 SUS [20 - 32 cSt] and viscosity should never fall below 70 SUS [13 cSt].

A reputable filter supplier can supply filter information.

Fluid Maintenance

Maintaining correct fluid viscosity and cleanliness level is essential for all hydraulic systems. Since Eaton hydraulic components are used in a wide variety of applications it is impossible for Eaton to publish a fluid maintenance schedule that would cover every situation. Field testing and monitoring are the only ways to get accurate measurements of system cleanliness. OEM's and distributors who use Eaton hydraulic components should test and establish fluid maintenance schedules for their products. These maintenance schedules should be designed to meet the viscosity and cleanliness requirements laid out in this document.

Fluid Selection

Premium grade petroleum based hydraulic fluids will provide the best performance in Eaton hydraulic components. These fluids typically contain additives that are beneficial to hydraulic systems. Eaton recommends fluids that contain anti-wear agents, rust inhibitors, anti-foaming agents, and oxidation inhibitors. Premium grade petroleum based hydraulic fluids carry an ISO VG rating.

SAE grade crankcase oils may be used in systems that employ Eaton hydraulic components, but it should be noted that these oils may not contain all of the recommended additives. This means using crankcase oils may increase fluid maintenance requirements.

Hydraulic fluids that contain V.I. (viscosity index) improvers, sometimes called multi-viscosity oils, may be used in systems that employ Eaton hydraulic components. These V.I. improved fluids are known to "shear-down" with use. This means that their actual viscosity drops below the rated value. Fluid maintenance must be increased if V.I. improved fluids are used. Automotive automatic transmission fluids contain V.I. improvers.

Synthetic fluids may be used in Eaton hydraulic components. A reputable fluid supplier can provide information on synthetic fluids. Review applications that require the use of synthetic fluids with your Eaton representative.

- If the natural color of the fluid has become black it is possible that an overheating problem exists.
- If the fluid becomes milky a water contamination problem may exist.
- Take fluid level reading when the system is cold.
- Contact your Eaton representative if you have specific questions about the fluid requirements of Eaton hydraulic components.

Model Code for A Series Motors

The following 15-digit coding system has been developed to identify all of the configuration options for the A Series Motor. Use this model code to specify a motor with the desired features. All 15-digits of the code must be present when ordering. You may want to photocopy the matrix below to ensure that each number is entered in the correct box.

Model Code — A Series Spool Valve Motors

1	2	3	4	5	6	7	8	9	10	11	12	13	14	15
M	0	A											0	0

Position 1 Product Series

M Motor

Position 2, 3 A Series

0A A Series

Position 4, 5 Displacement cm³/r [in³/r]

02 36 [2.2]

03 46 [2.8]

04 59 [3.6]

05 74 [4.5]

06 97 [5.9]

07 120 [7.3]

09 146 [8.9]

10 159 [9.7]

11 185 [11.3]

14 231 [14.1]

18 293 [17.9]

Position 6 Mounting Flange

A 2 Bolt (Standard) 82,6 [3.25] Pilot Dia. and 13,59 [.535] Dia. Mounting Holes 106,2 [4.18] Dia. B.C.

B 4 Bolt (Standard) 44,4 [1.75] Pilot Dia. and 3/8-16 Mounting Holes 82,6 [3.25] Dia. B.C.

E 4 Bolt (Standard) 44,4 [1.75] Pilot Dia. and M10 x 1,5 Mounting Holes 82,6 [3.25] Dia. B.C.

Position 7, 8 Output Shaft

01 1 inch Dia. Straight with Woodruff Key and 1/4-20 Threaded Hole

02 1 inch Dia. SAE 6B Splined with 1/4-20 Threaded Hole

07 1 inch Dia. Straight with 7,9 [.31] Dia. I Crosshole 11,2 [.44] from End

08 1 inch Dia. Straight with 10,2 [.40] Dia. Crosshole 15,7 [.62] from End and 1/4-20 Threaded Hole

18 1 inch Dia. Tapered with Woodruff Key and Nut

27 1 inch Dia. Straight with Woodruff Key and 1/4-20 Threaded Hole (Plated for Corrosion Protection)

Position 9 Port Type

A 7/8-14 O-ring

B 1/2-14 NPTF

C Manifold (5/16-18 Mounting Threads)

G 3/4-16 O-ring (End Ported)

Position 10 Case Drain

0 No Case Drain

1 7/16-20 O-ring Port End Cap

Position 11 Special Features (Hardware)

0 None

A Free Running Gerotor

B Low Speed Valve

J Reduced Journal Leakage

S Viton Shaft Seal

Position 12 Special Features (Assembly)

0 None

1 Reverse Rotation

2 Flange Rotated 90°

Position 13 Paint/Special Packaging

0 No Paint

A Painted Low Gloss Black (Standard)

D Corrosion Protected

Position 14 Eaton Assigned Code when Applicable

0 Assigned Code

Position 15 Eaton Assigned Design Code

0 Design Code

Eaton
14615 Lone Oak Road
Eden Prairie, MN 55344
USA
Tel: 952 937-9800
Fax: 952 974-7722
www.hydraulics.eaton.com

Eaton
20 Rosamond Road
Footscray
Victoria 3011
Australia
Tel: (61) 3 9319 8222
Fax: (61) 3 9318 5714

Eaton
46 New Lane, Havant
Hampshire PO9 2NB
England
Tel: (44) 23 92 486 451
Fax: (44) 23 92 487 110



Char-Lynn