

Hydraulics

S
C
h
y
d
r
a
u
n
i
c
s

Char-Lynn®
Disc Valve Hydraulic Motors

No. 11-878
February 1999



2000, 4000, 6000, and 10,000 Series
Hydraulic Motors

We Manufacture

Solutions

Catalog of Disc Valve Hydraulic Motors from One of the World's Leading Manufacturers of Off Highway Mobile Components — Eaton Corporation

In the late 1950's the original low speed, high torque hydraulic motor was developed from a pump gerotor element consisting of an internal gear ring and a mating gear or star. While attaching the internal gear ring to the housing as a non moving part, oil was ported to pressurize and turn the internal star in an orbit around a center point. This slow turning star coupled with a splined drive to the output shaft became the Char-Lynn® Orbit® motor. A few years after this original Char-Lynn Orbit motor was introduced another original motor concept went into production. This motor had rolls incorporated into the internal gear ring, this element was identified by the name Geroler® and is a registered trade name of Eaton Corporation. From these early years the Geroler motor has seen many design changes

to make these Geroler motors the best the industry has to offer. Examine the simplicity of these Geroler disc valve motors shown below. Also examine all the following pages for high value Char-Lynn disc valve motors from the Hydraulics Division of Eaton Corporation.

Geroler® Displacement Mechanism

Motors with the Geroler element provide high starting and running torque. The Geroler element minimizes friction and thereby increases efficiency while providing smooth output shaft rotation even at very low speeds. Motor shaft rotation can be instantly reversed by changing direction of input/output flow while generating equal torque in either

direction. The displacements available provide a wide variety of speeds and torques from any Series motor.

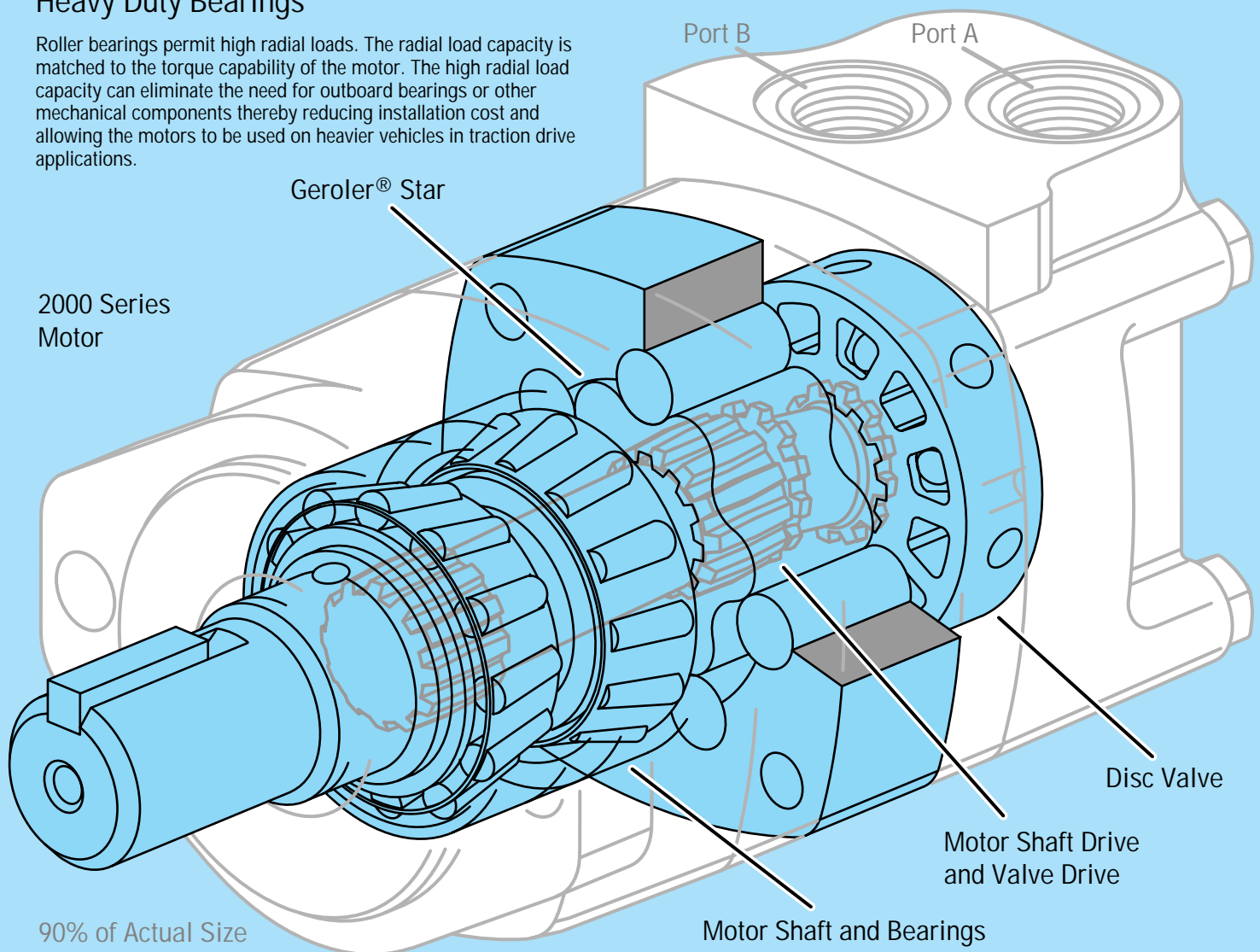
Disc Valve

The function of the disc valve is to distribute fluid to the Geroler pockets. The pressure balanced sealing surface on the valve face maintains minimal leakage. Char-Lynn disc valve motors can be used in the same system with a radial piston pump and also in closed loop systems. The patented wear compensated disc valve provides top performance.

Heavy Duty Bearings

Roller bearings permit high radial loads. The radial load capacity is matched to the torque capability of the motor. The high radial load capacity can eliminate the need for outboard bearings or other mechanical components thereby reducing installation cost and allowing the motors to be used on heavier vehicles in traction drive applications.

2000 Series
Motor



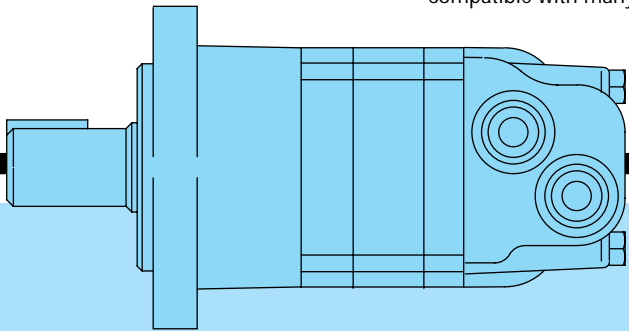
Design Features

Char-Lynn Hydraulic motors provide design flexibility. All disc valve motors are available with various configurations consisting of:

- Displacement (Geroler size)
- Output Shaft
- No Shaft and Bearing Assembly (Bearingless Motor)
- Port Configuration
- Mounting Flange
- Other Special Features

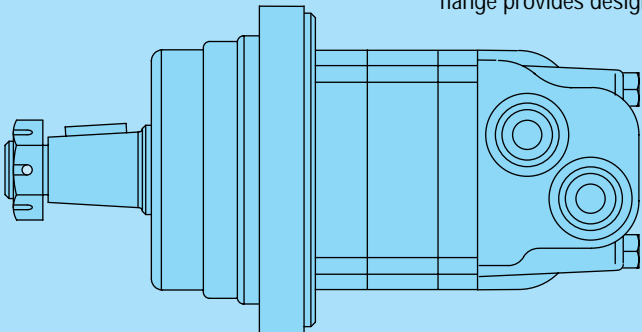
Standard Motor

The standard motor mounting flange is located as close to the output shaft as possible. This type of mounting supports the motor close to the shaft load. This mounting flange is also compatible with many standard gear boxes.



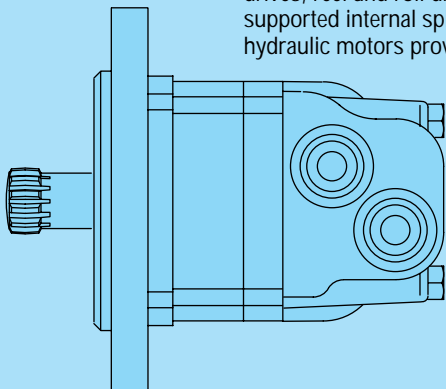
Wheel Motor

The wheel motor mounting flange is located near the center of the motor which permits part or all of the motor to be located inside the wheel or roller hub. In traction drive applications, loads can be positioned over the motor bearings for best bearing life. This wheel motor mounting flange provides design flexibility in many applications.



Bearingless Motor

This bearingless motor has the same drive components as the standard and wheel motors (with the exception that the motor is assembled without the output shaft, bearings and bearing housing). The bearingless motor is especially suited for applications such as gear boxes, winch drives, reel and roll drives. Bearingless motor applications must be designed with a bearing supported internal spline to mate with the bearingless motor drive. Product designs using these hydraulic motors provide considerable cost savings.



2000 Series



2000

2000 Series

Geroler® Element	9 Displacements
Flow LPM [GPM]	75 [20] Continuous**
	115 [30] Intermittent*
Speed	Up to 924 RPM
Pressure Bar [PSI] ...	200 [3000] Cont.
	300 [4500] Inter.
Torque Nm [lb-in]	845 [7470] Cont.
	930 [8225] Inter.

2000 Series Displacement Size = cubic centimeter per shaft revolution (cm³/r)
= cubic inch per shaft revolution ([in³/r])

- 80 [4.9]
 - 100 [6.2]
 - 130 [8.0]
 - 160 [9.6]
 - 195 [11.9]
 - 245 [14.9]
 - 305 [18.7]
 - 395 [24.0]
 - 490 [29.8]
- Mounting Flange
- 4 Bolt (Bearingless) 101,6 [4.00] Pilot Dia. and 13,59 [.535] Dia. Mounting Holes on 127,0 [5.00] Dia. B.C.
 - 2 Bolt (SAE A) (Standard) 82,5 [3.25] Pilot Dia. and 13,59 [.535] Dia. Mounting Holes on 106,4 [4.19] Dia. B.C.
 - 4 Bolt (Wheel) 107,9 [4.25] Pilot Dia. and 13,59 [.535] Dia. Mounting Holes on 147,6 [5.81] Dia. B.C.
 - 4 Bolt (Standard) 82,5 [3.25] Pilot Dia. and 13,59 [.535] Dia. Mounting Holes on 106,4 [4.19] Dia. B.C.
 - 4 Bolt Magneto 82,5 [3.25] Pilot Dia. and 13,59 [.535] Dia. Mounting Holes on 106,4 [4.19] Dia. B.C.
 - 2 Bolt (SAE B) 101,6 [4.00] Pilot Dia. and 14,27 [.562] Dia. Mounting Holes on 146,0 [5.75] Dia. B.C.
- Output Shaft
- Bearingless
 - 1 inch Dia. Straight with Woodruff Key, 1/4-20 Threaded Hole and 38,4 [1.51] Max. Coupling Length
 - 1-1/4 inch Dia. Straight with Straight Key, 3/8-16 Threaded Hole and 47,3 [1.86] Max. Coupling Length
 - 32 mm Dia. Straight with Straight Key, M8 x 1,25 -6H Threaded Hole and 56,4 [2.22] Max. Coupling Length
 - 1-1/4 inch Dia. Splined 14 T, 3/8-16 Threaded Hole and 33,0 [1.30] Min. Full Spline Length and 45,5 [1.79] Max. Coupling Length
 - 1-1/4 inch Dia. Tapered with Straight Key and Nut
 - SAE 6B Splined 6 T, 1/4-20 Threaded Hole and 22,8 [.90] Min. Full Spline Length and 28,8 [1.13] Max. Coupling Length
 - 7/8 inch Dia. Splined 13 T, 15,2 [.60] Min. Full Spline Length and 30,8 [1.21] Max. Coupling Length
 - 25 mm Dia. Straight with Straight Key, M8 x 1,25 -6H Threaded Hole and 38,1 [1.50] Max. Coupling Length
- Port Type
- 7/8-14 O-ring (Staggered) with 7/16-20 O-ring Case Drain
 - G 1/2 (BSP) (Staggered) with G 1/4 (BSP) Case Drain
 - Manifold Mount with 3/8-16 UNC Mounting Threads (3) and 7/16-20 O-ring Case Drain
 - Manifold Mount with M10 x 1,5 -6H Mounting Threads (3) and G 1/4 (BSP) Case Drain
 - 1-1/16—12 O-ring (Positioned 180° Apart) with 7/16-20 O-ring Case Drain
 - 7/8-14 O-ring (End Ports) with 7/16-20 O-ring Case Drain (Rear)
- Special Features
- Viton® Shaft Seal
 - Viton Seals
 - Free Running Geroler
 - Speed Sensor
 - Two Speed Option
 - Two-Way Shuttle, Open for CW or CCW Output Shaft Rotation
 - Corrosion Protected
 - Seal Guard Package

** Continuous— (Cont.) Continuous rating, motor may be run continuously at these ratings.

* Intermittent— (Inter.) Intermittent operation, 10% of every minute.

Viton® is a Registered Trade Name of Dupont Corp.

4000 Series



4000

4000 Series

Geroler® Element	9 Displacements
Flow LPM [GPM]	95 [25] Continuous**
		150 [40] Intermittent*
Speed	Up to 868 RPM
Pressure Bar [PSI]	...	200 [3000] Cont.
		300 [4500] Inter.
Torque Nm [lb-in]	970 [8600] Cont.
		1180 [10450] Inter.

4000 Series Displacement Size = cubic centimeter per shaft revolution (cm³/r)
= cubic inch per shaft revolution ([in³/r])

- 110 [6.7]
- 130 [7.9]
- 160 [9.9]
- 205 [12.5]
- 245 [15.0]
- 310 [19.0]
- 395 [24.0]
- 495 [30.0]
- 625 [38.0]

Mounting Flange

- 4 Bolt (Bearingless) 127,0 [5.00] Pilot Dia. and 14,27 [.562] Dia. Mounting Holes 161,9 [6.38] Dia. B.C.
- 4 Bolt (SAE B) (Standard) 101,6 [4.00] Pilot Dia. and 14,7 [.58] Mounting Slots on 127,0 [5.00] Dia. B.C.
- 4 Bolt (Wheel) 139,7 [5.50] Pilot Dia. and 14,3 [.56] Dia. Mounting Holes on 165,1 [6.50] Dia. B.C.
- 4 Bolt (SAE C) (Standard) 127,0 [5.00] Pilot Dia. and 14,3 [.56] Dia. Mounting Holes on 161,9 [6.38] Dia. B.C.

Output Shaft

- Bearingless
- 1-1/4 inch Dia. Straight with Straight Key, 3/8-16 Threaded Hole and 53,1[2.09] Max. Coupling Length
- 1-5/8 inch Dia. Tapered with Straight Key and 1-1/4—18 UNEF Slotted Hex. Nut
- 1-1/4 inch Dia. Splined 14 T with 38,1 [1.50] Min. Full Spline Length and 53,1 [2.09] Max. Coupling Length
- 1-1/2 inch Dia. Splined 17 T with 31,2 [1.23] Min. Full Spline Length
- 40 mm Dia. Straight with Straight Key, M12 x 1,75-6H Threaded Hole

Port Type

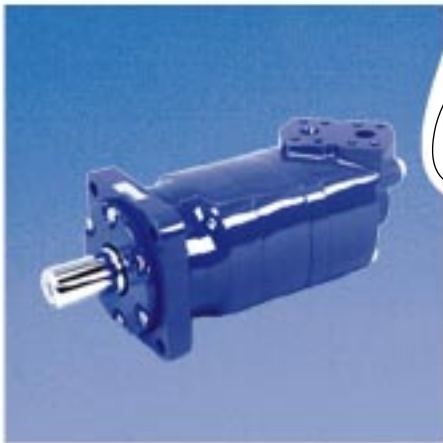
- 1-1/16—12 O-ring with 7/16-20 O-ring Case Drain and Check Valve
- G 3/4 (BSP) O-ring with G 1/4 (BSP) O-ring Case Drain and Check Valve
- 3/4 inch 4 Bolt Split Flange with 7/16-20 O-ring Case Drain and Check Valve
- 7/8-14 O-ring with 9/16-18 O-ring Case Drain with Shuttle Valve
- M22 x 1,5-6H (ISO) O-ring with M12 x 1,5-6H O-ring Case Drain with Shuttle Valve

Special Features

- Viton Shaft Seal
- Viton Seals
- Two-Way Shuttle, Open for CW or CCW Output Shaft Rotation
- One-Way Shuttle, Open for CW Output Shaft Rotation
- One-Way Shuttle, Open for CCW Output Shaft Rotation
- Corrosion Protected

** Continuous— (Cont.) Continuous rating, motor may be run continuously at these ratings.

* Intermittent— (Inter.) Intermittent operation, 10% of every minute.



6000

6000 Series

Geroler® Element	7 Displacements
Flow LPM [GPM]	150 [40] Continuous**
	225 [60] Intermittent*
Speed	Up to 866 RPM
Pressure Bar [PSI] ...	200 [3000] Cont.
	300 [4500] Inter.
Torque Nm [lb-in]....	1685 [14920] Cont.
	1875 [16580] Inter.

6000 Series Displacement Size = cubic centimeter per shaft revolution (cm³/r)
= cubic inch per shaft revolution ([in³/r])

- 195 [11.9]
- 245 [15.0]
- 310 [19.0]
- 390 [23.9]
- 490 [30.0]
- 625 [38.0]
- 985 [60.0]

Mounting Flange

- 4 Bolt (Bearingless) 127,0 [5.00] Pilot Dia. and 14,3 [.56] Dia. Mounting Holes on 161,9 [6.38] Dia. B.C.
- 4 Bolt (SAE CC)(Standard) 127,0 [5.00] Pilot Dia. and 14,3 [.56] Mounting Holes on 161,9 [6.38] Dia. B.C.
- 4 Bolt (Wheel) 139,7 [5.50] Pilot Dia. and 14,3 [.56] Dia. Mounting Holes on 184,1 [7.25] Dia. B.C.

Output Shaft

- Bearingless
- 1-1/2 inch Dia. Straight with Straight Key, 3/8-16 Threaded Hole and 56,7[2.23] Max. Coupling Length
- 1-3/4 inch Dia. Tapered with Straight Key and 1-1/4—18 UNEF Slotted Hex. Nut
- 1-1/2 inch Dia. Splined 17 T with 40,3 [1.59] Min. Full Spline Length and 3/8-16 Threaded Hole
- 40 mm Dia. Straight with Straight Key, M12 x 1,75-6H Threaded Hole

Port Type

- 1-5/16-12 O-ring with 7/16-20 O-ring Case Drain and Shuttle Valve
- G 1 (BSP) O-ring with G 1/4 (BSP) O-ring Case Drain and Check Valve
- 3/4 inch 4 Bolt Split Flange with 7/16-20 O-ring Case Drain and Check Valve

Special Features

- Viton Shaft Seal
- Viton Seals
- Two-Way Shuttle, Open for CW or CCW Output Shaft Rotation
- Corrosion Protected

** Continuous— (Cont.) Continuous rating, motor may be run continuously at these ratings.

* Intermittent— (Inter.) Intermittent operation, 10% of every minute.

10,000 Series



10,000

10,000 Series

Geroler® Element	4 Displacements
Flow LPM [GPM]	170 [45] Continuous**
	265 [70] Intermittent*
Speed	Up to 784 RPM
Pressure Bar [PSI] ...	200 [3000] Cont.
	270 [4000] Inter.
Torque Nm [lb-in] ...	2700 [23910] Cont.
	3440 [30460] Inter.

10,000 Series Displacement Size = cubic centimeter per shaft revolution (cm^3/r)
= cubic inch per shaft revolution ([in^3/r])

- 345 [21.0]
- 480 [29.2]
- 665 [40.6]
- 940 [57.4]

Mounting Flange

- 4 Bolt (Bearingless) 152,4 [6.00] Pilot Dia. and 20,88 [.522] Dia. Mounting Holes 228,6 [9.00] Dia. B.C.
- 4 Bolt (Standard) 127,0 [5.00] Pilot Dia. and 17,02 [.670] Mounting Holes on 161,9 [6.37] Dia. B.C.
- 4 Bolt (Wheel) 177,8 [7.00] Pilot Dia. and 17,02 [.670] Dia. Mounting Holes on 209,5 [8.25] Dia. B.C.

Output Shaft

- Bearingless
- 2-1/4 inch Dia. Straight with Straight Key, 1/2-20 Threaded Hole and 97,5[3.84] Max. Coupling Length
- 2-1/4 inch Dia. Tapered with Straight Key and 1-1/2—18 UNEF Slotted Hex. Nut
- 2-1/8 inch Dia. Splined 16 T with 52,1 [2.05] Min. Full Spline Length and 1/2-20 UNF Threaded Hole

Port Type

- 1-5/16-12 O-ring with 9/16-18 O-ring Case Drain
- 1-1/4 Split Flange with 9/16-18 O-ring Case Drain

Special Features

- Viton Shaft Seal
- Viton Seals
- Two Speed Option
- Corrosion Protected

** Continuous— (Cont.) Continuous rating, motor may be run continuously at these ratings.

* Intermittent— (Inter.) Intermittent operation, 10% of every minute.

Design Flexibility

Char-Lynn motors are truly built for high torque low speed. A lot of power is derived from this small package. This power advantage provides the designer with a product that can be used for overall compactness in addition to taking full advantage of the high pressure ratings typical of present day hydraulic components.

Char-Lynn Disc Valve hydraulic motors allow the designer to put the power where it is needed. Indeed, these motors are small in size, big in output power. Hence, the small package can eliminate a lot of installation problems. Furthermore, the motors can be mounted directly on the driven device away from the original power source which eliminates other mechanical linkages such as chains, sprockets, belts, pulleys, gears, rotating drive shafts, and universal joints. Several motors can be driven from the same power source and can be connected in series or parallel to each other.

Durability

The design and method of manufacture of three critical drive train components, valve drive, shaft drive, and output shaft, give these motors durability. Consequently, these durable disc valve motors stand up against high hydraulic pressures. Other built in features, such as the rugged Tapered roller bearings provide a good match to this tough design.

Performance Rating

Our method of rating these motors recognizes that at slower speeds and flow, higher pressures and torque are permitted. Hence, our performance data shows the complete flow range (down to 1 liter per minute or 1/4 gallon per minute) and speed range (down to one revolution per minute depending on application).

Controllable Speeds

Char-Lynn motors operate at low speeds that remain very near constant even when load varies. Shaft speed is varied smoothly, easily and economically using simple inexpensive controls. Also, these motors are reversible. Consequently, direction of shaft rotation can be changed instantly with equal output torque in either direction.

Dependable Performance

Highly precise manufacturing of parts and the disc valve's unique wear compensating design provide consistent, dependable performance and long life even under varying conditions.

Reliability

Char-Lynn motors are self contained, with hydraulic fluid providing lubrication. These motors are completely sealed so they can operate safely and reliably in hostile environments such as dust, dirt, steam, water, and heat and provide reliable performance.

High Efficiencies

Char-Lynn disc valve motors have high efficiencies providing high output for the pressure and flow supplied. The high mechanical efficiency enables you to obtain a given torque with a smaller displacement motor.

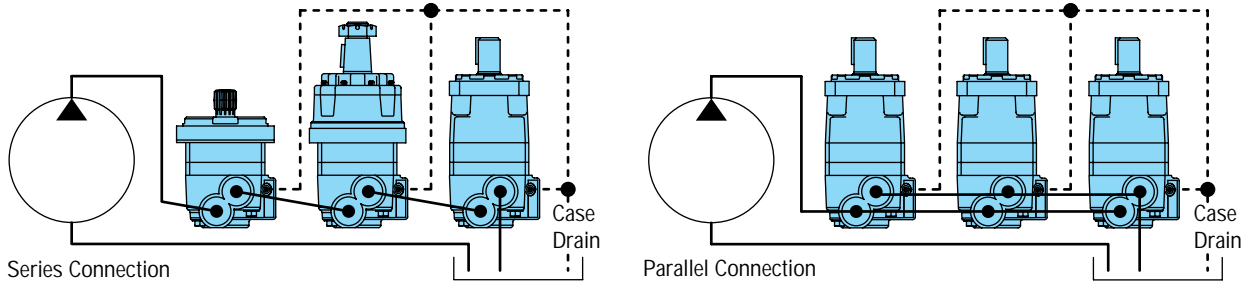
Volumetric efficiency is high and speed is relatively constant with little variation due to changes in load. Speed is controlled easily and smoothly.

In conclusion, these efficiencies mean less heat buildup in the hydraulic system.

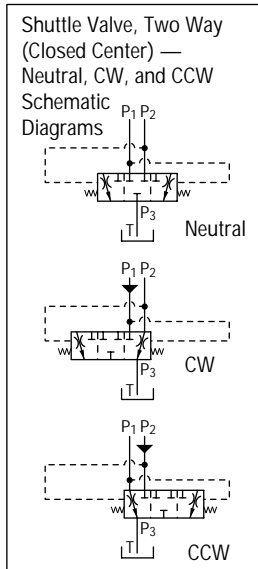
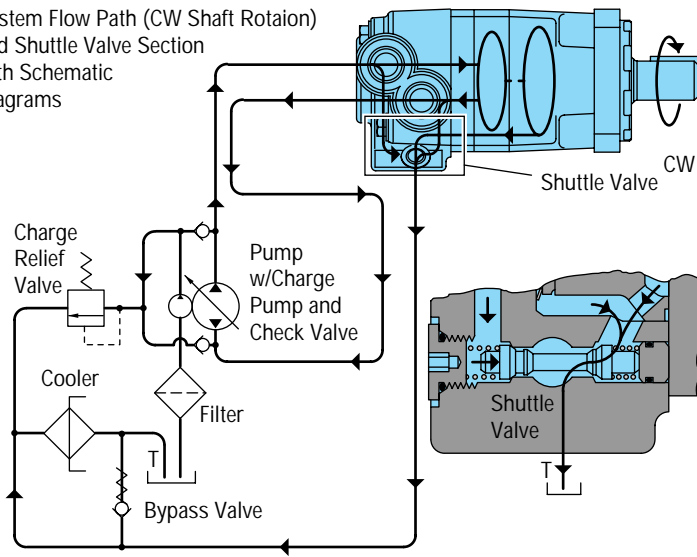
2000, 4000, 6000 Series

Case Drain and Shuttle Valve Options

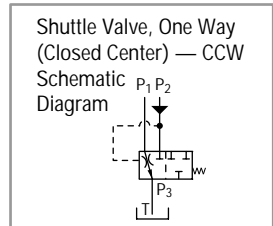
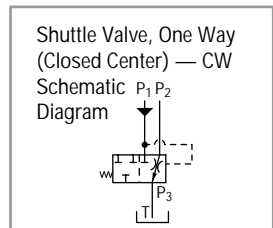
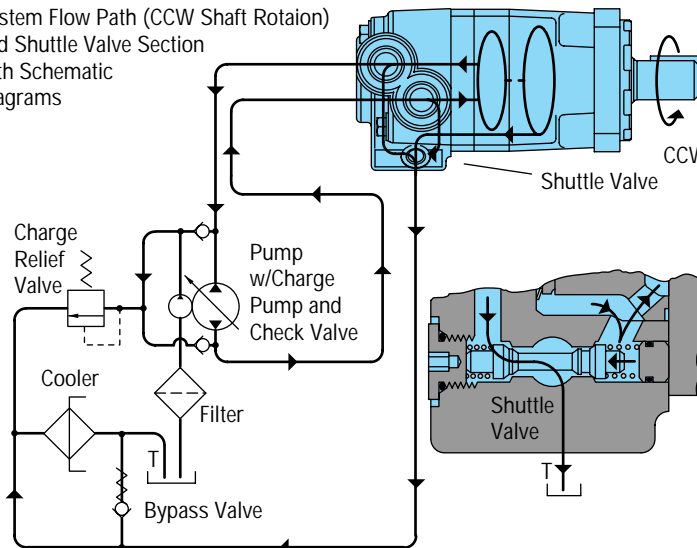
Many hydraulic systems can benefit from the use of a system case drain. Char-Lynn disc valve motors provide this feature built in. One of the advantages for case drain flow is that contamination is flushed from the system. This flushing also aids in cooling the system and lowering the case pressure which will extend motor seal life. With a case drain line in place, oil pressure in the gear box (Bearingless motor applications) can also be controlled. In applications where more system cooling and flushing is required, a shuttle valve option is available in 2000, 4000, and 6000 Series motors.



System Flow Path (CW Shaft Rotation) and Shuttle Valve Section with Schematic Diagrams



System Flow Path (CCW Shaft Rotation) and Shuttle Valve Section with Schematic Diagrams



High Pressure Shaft Seal

This time proven high pressure shaft seal design has a patented feature which allows the seal lip to follow shaft deflection under high side loads and therefore provides better sealing. Additionally, these seals can withstand back pressure up to: 140 Bar [2000 PSI] 2000 Series, 100 Bar [1500 PSI] 4000 Series, 70 Bar [1000 PSI] 6000 Series, and 20 Bar [300 PSI] 10,000 Series.

Internal Check Valves

An internal check valve is provided to relieve case pressure to the low pressure side of the motor. This check valve system is adequate for most applications. In addition, motors have an external case pressure drain port for use when continuous back pressure exceeds: 140 Bar [2000 PSI] 2000 Series, 100 Bar [1500 PSI] 4000 Series and 6000 Series, and 20 Bar [300 PSI] 10,000 Series.

Speed Sensor 2000 Series

The 2000 Series motors are available with a rugged digital sensor for monitoring motor shaft speed. Compatible with vehicle electrical systems, this feature is ideal for applications where speeds need to be accurately known.

Corrosion Protected Disc Valve Motors

2000, 4000, 6000, and 10,000 Series motors are available with a corrosion resistant coating for use in hostile environments. This coating protects the motor from salt water, and various chemicals and is especially effective in marine, food processing, cleansing, fishing, and agricultural applications. Motor output shaft plating helps eliminate seal damage caused by these caustic or acid materials. Char-Lynn disc valve motors are available with just the output shaft plated, or with plated shaft and entire motor exterior coating.

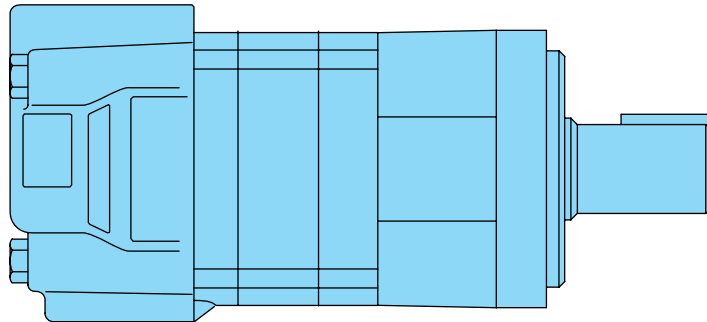
Catalog Contents

	2000 Series	4000 Series	6000 Series	10,000 Series
Specifications	page 11	28	40	50
Performance Data	12-16	29-32	41, 42	51, 52
Standard Motor, Dimensions	17	33	43	53
Wheel Motor, Dimensions	18	34	44	54
Bearingless Motor, Dimensions	19	35	45	55
Two Speed Motor, Data	60-64	—	—	60, 61 65-67
Mtg. Flange Options, Dimensions	20	33-35	43-45	53,55
Shaft Options, Dimensions	21	36	46	56
Port Options, Dimensions	22	37	47	57
Shaft Side Load Capacity	23	38	48	58
Speed Sensor	24	—	—	—
Product Numbers (Standard Units)	27	39	49	59
Fluid Recommendations	69	69	69	69
Motor Application Information	70, 71	70, 71	70, 71	70, 71
Model Code*	72	73	74	75

* Contact your Eaton Representative for special orders.

Specifications

2000 Series



Specification Data—2000 Series

Displ. cm ³ /r [in ³ /r]	80 [4.9]	100 [6.2]	130 [8.0]	160 [9.6]	195 [11.9]	245 [14.9]	305 [18.7]	395 [24.0]	490 [29.8]		
Max. Speed (RPM) @ Flow	Continuous	799	742	576	477	385	308	246	191	153	
	Intermittent	908	924	720	713	577	462	365	335	230	
Flow LPM [GPM]	Continuous	75 [20]	75 [20]	75 [20]	75 [20]	75 [20]	75 [20]	75 [20]	75 [20]	75 [20]	
	Intermittent	75 [20]	95 [25]	95 [25]	115 [30]	115 [30]	115 [30]	115 [30]	130 [35]	115 [30]	
Torque Nm [lb-in]	☆ 1-1/4 Inch or 32 mm Dia. Shaft	Continuous	235 [2065]	295 [2630]	385 [3420]	455 [4040]	540 [4780]	660 [5850]	765 [6750]	845 [7470]	
		Intermittent	345 [3035]	445 [3950]	560 [4970]	570 [5040]	665 [5890]	820 [7250]	885 [7820]	925 [8170]	930 [8225]
Pressure Δ Bar [Δ PSI]	☆ 1-1/4 Inch or 32 mm Dia. Shaft	Continuous	205 [3000]	205 [3000]	205 [3000]	205 [3000]	205 [3000]	205 [3000]	155 [2250]	120 [1750]	
		Intermittent	310 [4500]	310 [4500]	310 [4500]	260 [3750]	260 [3750]	260 [3750]	240 [3500]	190 [2750]	140 [2000]
		Peak	310 [4500]	310 [4500]	310 [4500]	310 [4500]	310 [4500]	310 [4500]	310 [4500]	225 [3250]	170 [2500]

Maximum Case Pressure - without Case Drain * — 140 Bar [2000 PSI]

A simultaneous maximum torque and maximum speed NOT recommended. For permissible continuous and intermittent operating combinations of pressure and flow refer to performance data on pages 12-16.

☆ Maximum torque for 1 inch shaft — 395 Nm [3500 lb-in] Continuous and 485 Nm [4300 lb-in] intermittent.

* For continuous back pressure over 140 Bar [2000 PSI] use an external case drain. Install case drain lines so that the motor case remains filled at all times.

Maximum inlet pressure — 310 Bar [4500 PSI]. Do not exceed Δ pressure rating (see chart above)

* Maximum return pressure — 310 Bar [4500 PSI]. Do not exceed Δ pressure rating (see chart above)

Δ Bar [Δ PSI] — True pressure difference between inlet port and outlet port.

Continuous Rating — Motor may be run continuously at these ratings.

Intermittent Operation — 10% of every minute.

Peak Operation — 1% of every minute.

Recommended Fluids — Premium quality, anti-wear type hydraulic oil with a viscosity of not less than 70 SUS at operating temperature (see page 69).

Recommended Maximum System Operating Temp. — Is 82° C [180° F]

Recommended Filtration — per ISO Cleanliness Code, level 18/13

To assure best motor life, run motor for approximately one hour at 30% of rated pressure before application to full load. Be sure motor is filled with fluid prior to any load applications.

Performance Data 2000 Series

Motors Run with High Efficiency in All Areas Designated with a Number for Torque and Speed, However for Best Motor Life Select a Motor to Run with a Torque and Speed Range shown in the Light Blue Area.

80 cm³/r [4.9 in³/r]
Δ Pressure Bar [PSI]

100 cm³/r [6.2 in³/r]
Δ Pressure Bar [PSI]

	[500]	[1000]	[1500]	[2000]	[2500]	[3000]	[3500]	[4000]	[4500]
[.25]	[210] 25 3	[420] 45 1							
[.5]	[250] 30 17	[500] 50 8	[740] 85 3						
[1]	[330] 35 44	[670] 75 40	[990] 110 37	[1300] 145 34	[1550] 175 28	[1800] 205 22	[1950] 220 14	[2110] 240 2	
[2]	[330] 35 90	[670] 75 85	[995] 110 81	[1310] 150 78	[1580] 180 72	[1840] 210 65	[2100] 235 57	[2365] 265 49	[2630] 295 42
[4]	[325] 35 182	[670] 75 176	[1005] 115 170	[1330] 150 166	[1620] 185 159	[1920] 215 152	[2200] 250 140	[2480] 280 128	[2765] 310 117
[6]	[320] 35 273	[665] 75 267	[1010] 115 259	[1340] 150 254	[1655] 185 246	[1975] 225 238	[2270] 255 223	[2570] 290 207	[2880] 325 192
[8]	[310] 35 365	[660] 75 375	[1015] 115 349	[1345] 150 341	[1685] 190 333	[2020] 230 325	[2330] 265 306	[2640] 300 286	[2960] 335 266
[10]	[300] 35 456	[650] 75 448	[1010] 115 439	[1350] 155 429	[1700] 190 420	[2050] 230 411	[2370] 270 388	[2690] 305 364	[3010] 340 341
[12]	[285] 30 547	[640] 70 537	[1005] 115 530	[1350] 155 516	[1705] 195 507	[2065] 235 497	[2390] 270 470	[2715] 305 442	[3035] 345 415
[14]	[270] 30 638	[625] 70 629	[990] 110 622	[1340] 150 603	[1705] 195 593	[2065] 235 584	[2395] 270 553	[2720] 305 521	[3030] 340 490
[16]	[255] 30 729	[610] 70 720	[975] 110 714	[1330] 150 689	[1690] 190 679	[2055] 230 670	[2385] 270 635	[2700] 305 599	[2995] 340 564
[18]	[230] 25 818	[590] 65 810	[955] 110 795	[1310] 150 775	[1680] 190 765	[2025] 230 756	[2355] 265 717	[2660] 300 677	[2935] 330 638
[20]	[210] 25 908	[570] 65 901	[930] 105 880	[1290] 145 861	[1645] 185 851	[1985] 225 842	[2305] 260 799	[2600] 295 755	[2845] 320 712

	[250]	[500]	[1000]	[1500]	[2000]	[2500]	[3000]	[3500]	[4000]	[4500]
[.25]	[140] 15 4	[260] 30 2								
[.5]	[150] 15 13	[300] 35 9	[620] 70 5	[940] 105 2						
[1]	[170] 20 35	[390] 45 34	[830] 95 31	[1210] 135 28	[1570] 175 23	[1870] 210 15	[2130] 240 6			
[2]	[170] 20 73	[390] 45 71	[830] 95 68	[1220] 140 63	[1590] 180 59	[1920] 215 51	[2220] 250 38	[2520] 285 24	[2810] 315 14	[3120] 355 4
[4]	[170] 20 148	[380] 45 145	[820] 90 141	[1240] 140 136	[1640] 185 131	[2010] 225 121	[2380] 270 104	[2750] 310 94	[3120] 355 80	[3490] 395 69
[6]	[160] 20 222	[380] 45 219	[820] 90 215	[1260] 140 209	[1670] 190 202	[2080] 235 192	[2480] 280 172	[2880] 325 163	[3280] 370 149	[3680] 415 134
[8]	[150] 15 297	[370] 40 294	[810] 90 288	[1260] 140 281	[1700] 190 273	[2130] 240 261	[2560] 290 243	[2990] 340 231	[3420] 385 216	[3840] 435 200
[10]	[140] 15 371	[368] 40 371	[810] 90 362	[1270] 145 354	[1720] 195 344	[2160] 245 330	[2610] 295 316	[3020] 340 300	[3440] 390 283	[3850] 435 266
[12]	[120] 15 445	[350] 40 442	[800] 90 436	[1270] 145 427	[1730] 195 415	[2180] 245 399	[2630] 295 389	[3070] 345 369	[3510] 395 350	[3950] 445 332
[14]	[110] 10 519	[330] 35 516	[800] 90 509	[1260] 140 500	[1740] 195 486	[2180] 245 469	[2630] 295 463	[3070] 345 437	[3500] 395 417	[3940] 445 378
[16]	[90] 10 594	[320] 35 591	[780] 90 583	[1260] 140 573	[1720] 195 558	[2160] 245 540	[2610] 295 537	[3060] 340 506	[3500] 395 485	[3940] 445 463
[18]	[70] 10 668	[300] 35 665	[770] 85 657	[1240] 140 646	[1700] 190 630	[2140] 240 611	[2580] 290 609	[3020] 340 574	[3460] 390 552	[3900] 440 529
[20]	[60] 5 742	[280] 30 739	[730] 80 731	[1180] 135 715	[1630] 185 703	[2090] 235 684	[2550] 290 662	[2980] 335 643	[3440] 390 619	[3830] 435 595
[22]	[40] 5 816	[260] 30 813	[720] 80 805	[1180] 135 794	[1620] 185 777	[2070] 235 758	[2500] 280 749	[2930] 330 712	[3360] 380 687	
[24]	[20] 1.0 890	[230] 230 887	[690] 80 879	[1140] 130 868	[1540] 175 852	[2020] 230 834	[2460] 280 814	[2900] 330 782	[3340] 375 754	
[25]		[220] 25 924	[670] 75 916	[1120] 125 905	[1560] 175 890	[1990] 225 873	[2450] 275 846	[2890] 325 817		

[570]
65
901 } Torque [lb-in]
65
901 } Speed RPM

Continuous
 Intermittent

Performance Data is Typical at 120 SUS. Actual data may vary slightly from unit to unit in production

Performance Data 2000 Series

Motors Run with High Efficiency in All Areas Designated with a Number for Torque and Speed. However for Best Motor Life Select a Motor to Run with a Torque and Speed Range shown in the Light Blue Area.

130 cm³/r [8.0 in³/r]
Δ Pressure Bar [PSI]

	[250] 15	[500] 35	[1000] 70	[1500] 105	[2000] 140	[2500] 170	[3000] 205	[3500] 240	[4000] 275	[4500] 310
[.25] .95	[170] 20 3									
[.5] 1.9	[190] 20 12	[410] 45 8	[870] 100 2							
[1] 3.8	[230] 25 28	[510] 60 27	[1070] 120 23	[1580] 180 19	[2050] 230 16	[2520] 285 13	[2920] 330 9	[3310] 375 3		
[2] 7.5	[230] 25 56	[510] 60 56	[1080] 120 53	[1600] 180 47	[2090] 235 42	[2580] 290 39	[2930] 330 36	[3320] 375 28	[3640] 410 21	[3990] 450 13
[4] 15	[220] 25 114	[500] 55 113	[1080] 120 111	[1620] 185 104	[2150] 245 97	[2660] 300 95	[3100] 350 92	[3540] 400 85	[3980] 450 77	[4420] 500 70
[6] 23	[220] 25 172	[490] 55 171	[1080] 120 169	[1640] 185 161	[2190] 245 153	[2740] 310 149	[3260] 370 146	[3770] 425 132	[4280] 485 118	[4800] 540 104
[8] 30	[200] 25 230	[480] 55 224	[1080] 120 222	[1650] 185 219	[2220] 250 210	[2780] 315 204	[3310] 375 201	[3840] 435 192	[4360] 495 184	[4890] 550 175
[10] 38	[180] 20 287	[470] 55 286	[1070] 120 282	[1650] 185 276	[2230] 250 269	[2800] 315 261	[3420] 385 255	[3940] 445 243	[4450] 505 231	[4970] 560 219
[12] 45	[160] 20 345	[460] 50 344	[1060] 120 338	[1640] 185 333	[2230] 250 327	[2800] 315 317	[3350] 380 307	[3910] 440 295	[4440] 500 284	[4960] 560 272
[14] 53	[150] 15 403	[440] 50 402	[1030] 115 395	[1620] 185 391	[2220] 250 385	[3000] 340 373	[3350] 380 360	[3910] 440 348	[4440] 500 336	
[16] 61	[130] 15 461	[420] 45 460	[1010] 115 452	[1600] 180 447	[2200] 250 443	[2780] 315 430	[3330] 375 411	[3890] 440 397	[4440] 500 384	
[18] 68	[110] 10 518	[400] 45 517	[990] 110 509	[1580] 180 504	[2160] 245 500	[2750] 310 484	[3300] 375 471	[3860] 435 456	[4410] 500 440	
[20] 76	[90] 10 576	[380] 45 575	[960] 110 568	[1550] 175 560	[2130] 240 551	[2710] 305 539	[3280] 370 524	[3840] 435 508		
[22] 83	[60] 5 634	[350] 40 633	[940] 105 624	[1520] 170 619	[2100] 235 604	[2680] 305 597	[3250] 365 579	[3820] 430 560		
[24] 91	[40] 5 692	[325] 35 691	[920] 105 682	[1490] 170 676	[2070] 235 665	[2650] 300 651	[3220] 365 633	[3780] 425 616		
[25] 95	[20] 1.0 720	[310] 35 719	[900] 100 712	[1480] 165 705	[2050] 230 692	[2630] 295 679	[3200] 360 662	[3700] 420 656		

160 cm³/r [9.6 in³/r]
Δ Pressure Bar [PSI]

	[250] 15	[500] 35	[1000] 70	[1500] 105	[2000] 140	[2500] 170	[3000] 205	[3500] 240	[3750] 260
[.25] .95	[200] 25 3								
[.5] 1.9	[240] 25 9	[490] 55 7	[990] 110 5	[1570] 175 3	[2140] 240 1				
[1] 3.8	[280] 30 23	[590] 65 21	[1170] 130 19	[1730] 195 17	[2290] 260 13	[2830] 320 8	[3330] 375 3	[3820] 430 2	[4070] 460 1
[2] 7.5	[300] 35 46	[610] 70 45	[1210] 135 42	[1790] 200 39	[2350] 265 35	[2920] 330 34	[3480] 395 33	[4050] 460 28	[4330] 490 22
[4] 15	[320] 35 93	[630] 70 92	[1260] 140 89	[1890] 215 85	[2530] 285 79	[3170] 360 77	[3730] 430 75	[4460] 505 59	[4780] 540 43
[6] 23	[320] 35 142	[650] 75 140	[1300] 145 137	[1960] 220 131	[2620] 295 124	[3280] 370 118	[3940] 455 113	[4600] 520 104	[4930] 560 96
[8] 30	[310] 35 190	[650] 75 187	[1330] 150 184	[2010] 225 178	[2670] 300 170	[3330] 375 166	[4000] 455 164	[4660] 525 153	[4990] 565 142
[10] 38	[290] 35 237	[640] 70 235	[1340] 150 231	[2030] 230 226	[2850] 320 212	[3410] 385 212	[4030] 455 205	[4700] 530 193	[5030] 570 187
[12] 45	[270] 30 286	[620] 70 283	[1320] 150 279	[2030] 230 274	[2700] 305 265	[3370] 380 254	[4040] 455 246	[4710] 530 235	[5040] 570 224
[14] 53	[240] 25 334	[590] 65 331	[1300] 145 326	[2020] 230 322	[2690] 300 312	[3360] 375 305	[4030] 455 297	[4700] 530 286	
[16] 61	[220] 25 382	[570] 65 378	[1270] 145 374	[1980] 225 369	[2850] 300 360	[3330] 375 349	[4010] 455 339	[4680] 530 326	
[18] 68	[190] 20 429	[540] 60 426	[1240] 140 422	[1960] 220 416	[2640] 290 407	[3320] 370 394	[3990] 450 387		
[20] 76	[170] 20 477	[510] 60 474	[1210] 135 469	[1920] 215 462	[2630] 290 451	[3310] 370 440	[3940] 445 430		
[22] 83	[150] 15 525	[480] 55 522	[1170] 130 517	[1880] 210 510	[2600] 295 501	[3290] 370 484	[3920] 445 473		
[24] 91	[120] 15 572	[450] 50 569	[1150] 130 564	[1860] 210 556	[2570] 290 546	[3260] 370 531	[3900] 440 522		
[25] 95	[90] 10 596	[440] 50 593	[1140] 130 587	[1840] 210 580	[2560] 290 566	[3230] 365 553	[3880] 440 544		
[30] 114		[330] 35 713	[1040] 120 706	[1750] 200 696	[2470] 280 682	[3140] 355 672	[3800] 430 658		

[330]
35
713 } Torque [lb-in]
Nm
Speed RPM

Continuous
Intermittent

Performance Data is Typical at 120 SUS. Actual data may vary slightly from unit to unit in production

195 cm³/r [11.9 in³/r]
 Δ Pressure Bar [PSI]

	[250] 15	[500] 35	[750] 50	[1000] 70	[1250] 85	[1500] 105	[1750] 120	[2000] 140	[2250] 155	[2500] 170	[2750] 190	[3000] 205	[3250] 225	[3500] 240	[3750] 260
[.25] .95	[240] 25 4	[590] 65 2													
[.5] 1.9	[290] 35 8	[640] 70 6	[990] 110 5	[1340] 150 2											
[1] 3.8	[380] 45 17	[730] 80 16	[1100] 125 15	[1430] 160 14	[1790] 200 13	[2120] 210 11	[2450] 275 9	[2720] 305 7	[2990] 340 5	[3260] 370 4	[3540] 400 3	[3810] 430 2	[4080] 460 2	[4350] 490 1	[4620] 520 1
[2] 7.5	[390] 45 37	[755] 85 35	[1135] 130 33	[1470] 165 33	[1860] 210 32	[2195] 250 21	[2535] 285 28	[2880] 325 24	[3120] 355 21	[3680] 415 20	[4090] 460 19	[4500] 510 17	[4800] 540 14	[5100] 575 14	[5400] 610 14
[4] 15	[405] 45 76	[795] 90 74	[1185] 135 73	[1540] 175 72	[1970] 225 71	[2310] 260 70	[2675] 300 66	[3040] 345 64	[3420] 385 62	[3790] 430 61	[4160] 470 59	[4520] 510 57	[4890] 550 55	[5260] 595 51	[5630] 635 45
[6] 23	[405] 45 115	[815] 90 113	[1220] 140 111	[1590] 180 110	[2035] 230 109	[2395] 270 108	[2780] 315 104	[3170] 360 102	[3560] 400 100	[3940] 445 99	[4320] 490 96	[4700] 530 94	[5070] 570 91	[5450] 615 87	[5830] 660 81
[8] 30	[400] 45 154	[820] 90 151	[1230] 140 149	[1625] 185 148	[2065] 235 147	[2450] 275 146	[2850] 320 143	[3260] 370 140	[3670] 415 137	[4040] 455 135	[4410] 490 132	[4780] 540 130	[5150] 580 127	[5520] 625 123	[5890] 665 117
[10] 38	[380] 45 193	[810] 95 190	[1230] 140 188	[1645] 185 187	[2095] 235 186	[2480] 280 184	[2895] 325 181	[3310] 375 177	[3730] 420 175	[4100] 465 173	[4470] 505 170	[4840] 545 168	[5210] 585 164	[5590] 625 160	
[12] 45	[355] 40 231	[790] 90 229	[1215] 135 227	[1650] 185 224	[2100] 235 222	[2485] 280 221	[2915] 330 219	[3340] 375 218	[3760] 425 215	[4120] 465 211	[4480] 505 208	[4850] 550 204			
[14] 53	[320] 35 269	[765] 85 267	[1190] 135 264	[1645] 185 261	[2090] 235 260	[2475] 280 257	[2915] 330 254	[3350] 375 250	[3770] 425 248	[4130] 465 245	[4480] 505 241	[4860] 550 241			
[16] 61	[290] 30 308	[730] 80 306	[1160] 130 305	[1625] 185 303	[2070] 235 299	[2455] 275 296	[2900] 330 294	[3340] 375 290	[3760] 425 286	[4130] 465 283	[4490] 505 279	[4860] 550 276			
[18] 68	[290] 30 346	[690] 80 345	[1120] 125 345	[1590] 180 342	[2035] 230 337	[2420] 270 334	[2870] 325 327	[3310] 375 321	[3730] 420 315	[4100] 465 315	[4480] 505 308				
[20] 76	[210] 25 385	[650] 75 384	[1080] 120 383	[1550] 175 380	[1995] 225 375	[2380] 270 372	[2830] 320 371	[3270] 370 367	[3690] 415 363	[4070] 450 359	[4450] 500 355				
[22] 83	[170] 20 424	[610] 70 423	[1040] 120 422	[1500] 170 418	[1955] 220 414	[2340] 265 410	[2785] 315 408	[3220] 365 404	[3640] 410 399	[4050] 460 395					
[24] 91	[135] 15 462	[570] 65 461	[1000] 115 460	[1440] 165 457	[1910] 215 453	[2300] 260 449	[2740] 310 446	[3170] 360 441	[3590] 405 436	[3980] 450 432					
[25] 95	[120] 15 484	[550] 60 482	[980] 110 479	[1410] 160 476	[1890] 215 473	[2280] 260 469	[2720] 305 464	[3150] 355 459	[3570] 405 454	[3960] 445 449					
[30] 114		[420] 45 577	[860] 95 575	[1290] 145 571	[1700] 190 567	[2120] 240 562	[2530] 285 556	[2940] 330 550	[3400] 385 542						

Performance Data 2000 Series

Motors Run with High Efficiency in All Areas Designated with a Number for Torque and Speed, However for Best Motor Life Select a Motor to Run with a Torque and Speed Range shown in the Light Blue Area.

245 cm³/r [14.9 in³/r]
 Δ Pressure Bar [PSI]

[2120]
240
562 } Torque [lb-in]
 Nm
 Speed RPM

Continuous
 Intermittent

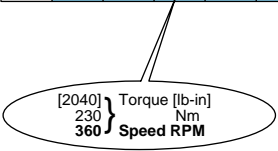
	[250] 15	[500] 35	[750] 50	[1000] 70	[1250] 85	[1500] 105	[1750] 120	[2000] 140	[2250] 155	[2500] 170	[2750] 190	[3000] 205	[3250] 225	[3500] 240	[3750] 260
[.5] 1.9	[410] 45 4	[850] 95 2													
[1] 3.8	[450] 50 14	[930] 105 13	[1420] 160 12	[1850] 210 11	[2320] 260 10	[2780] 315 9	[3250] 365 8	[3650] 410 6	[4100] 465 5	[4540] 515 4	[4980] 560 4	[5430] 615 3	[5870] 665 2	[6310] 715 1	
[2] 7.5	[460] 50 29	[960] 110 28	[1460] 165 27	[1900] 215 25	[2400] 270 25	[2860] 325 23	[3340] 375 22	[3780] 425 20	[4320] 490 19	[4770] 540 18	[5210] 590 17	[5660] 640 15	[6110] 690 14	[6570] 740 12	[6950] 785 10
[4] 15	[470] 55 60	[1000] 115 59	[1540] 175 58	[1980] 225 55	[2510] 285 54	[3010] 340 53	[3480] 395 51	[3980] 450 49	[4450] 505 49	[4910] 555 47	[5380] 610 47	[5850] 675 46	[6320] 715 45	[6780] 765 44	[7250] 820 42
[6] 23	[460] 50 91	[1020] 115 90	[1550] 175 89	[2040] 230 87	[2580] 290 84	[3110] 350 83	[3590] 405 81	[4120] 465 78	[4580] 515 76	[5050] 570 73	[5520] 625 71	[5980] 675 69	[6440] 730 67	[6910] 780 65	
[8] 30	[460] 50 122	[1010] 115 121	[1560] 175 120	[2080] 235 118	[2630] 295 115	[3170] 360 113	[3670] 415 111	[4210] 475 108	[4680] 530 104	[5160] 585 102	[5630] 635 100	[6110] 690 99	[6590] 745 99		
[10] 38	[440] 50 153	[1000] 115 152	[1550] 175 150	[2110] 240 148	[2650] 300 146	[3200] 360 144	[3730] 420 142	[4250] 480 139	[4730] 535 137	[5210] 590 135	[5700] 645 133	[6200] 705 133	[6700] 765 133		
[12] 45	[410] 45 184	[960] 110 183	[1530] 175 182	[2100] 235 180	[2640] 295 177	[3190] 360 175	[3760] 425 173	[4260] 480 170	[4740] 535 168	[5220] 600 165	[5730] 645 162				
[14] 53	[380] 40 215	[910] 105 214	[1500] 170 213	[2080] 235 211	[2600] 295 209	[3160] 355 207	[3760] 425 204	[4230] 480 201	[4710] 530 198	[5190] 585 195					
[16] 61	[340] 40 246	[860] 95 245	[1460] 165 244	[2040] 230 242	[2570] 290 240	[3120] 355 238	[3740] 425 235	[4180] 470 232	[4660] 525 227	[5140] 580 223					
[18] 68	[290] 30 277	[810] 90 276	[1420] 160 275	[2000] 225 273	[2520] 285 271	[3060] 345 269	[3700] 420 266	[4130] 465 263	[4610] 520 258	[5090] 575 253					
[20] 76	[250] 30 308	[800] 90 306	[1350] 155 304	[1910] 215 302	[2460] 280 300	[3010] 340 298	[3630] 410 295	[4110] 465 291	[4610] 520 288						
[22] 83	[200] 25 339	[710] 80 337	[1300] 145 337	[1870] 210 334	[2390] 270 332	[2940] 330 330	[3560] 400 327	[4010] 455 323	[4510] 510 318						
[24] 91	[150] 15 370	[670] 75 369	[1240] 140 367	[1790] 200 364	[2330] 265 362	[2880] 325 360	[3460] 390 357	[3960] 445 353	[4460] 505 344						
[25] 95	[120] 15 385	[660] 75 384	[1210] 135 382	[1750] 200 379	[2300] 260 377	[2860] 325 375	[3410] 385 372	[3950] 445 367	[4470] 505 363						
[30] 114		[520] 60 462	[1080] 120 460	[1620] 185 458	[2180] 245 456	[2720] 305 453	[3260] 370 450	[3790] 430 447							

Performance Data is Typical at 120 SUS. Actual data may vary slightly from unit to unit in production

Performance Data 2000 Series

305 cm³/r [18.7 in³/r]
 Δ Pressure Bar [PSI]

	[250] 15	[500] 35	[750] 50	[1000] 70	[1250] 85	[1500] 105	[1750] 120	[2000] 140	[2250] 155	[2500] 170	[2750] 190	[3000] 205	[3250] 225	[3500] 240
[5] 1.9	[500] 55 4	[1050] 120 2												
[1] 3.8	[610] 70 12	[1180] 135 11	[1750] 200 11	[2330] 260 10	[2870] 325 10	[3440] 390 9	[3930] 445 8	[4410] 500 6	[4900] 555 3	[5380] 610 1				
[2] 7.5	[620] 70 24	[1210] 135 24	[1800] 205 23	[2400] 270 22	[2970] 335 22	[3510] 395 20	[4050] 460 19	[4600] 520 18	[5140] 580 17	[5680] 640 15	[6220] 705 13	[6750] 765 11	[7290] 825 8	[7820] 885 6
[4] 15	[680] 75 49	[1250] 140 49	[1880] 210 48	[2500] 280 47	[3120] 355 45	[3690] 415 43	[4260] 480 42	[4840] 545 40	[5410] 610 38	[5980] 675 36	[6550] 740 34	[7120] 805 33	[7690] 870 33	
[6] 23	[620] 70 74	[1270] 145 74	[1920] 215 72	[2560] 290 72	[3230] 365 71	[3810] 430 69	[4390] 495 66	[4970] 560 64	[5560] 630 61	[6130] 695 58	[6710] 760 55	[7290] 825 52		
[8] 30	[600] 70 98	[1270] 145 98	[1940] 220 97	[2600] 295 96	[3290] 370 95	[3880] 440 93	[4470] 505 90	[5070] 575 86	[5660] 640 83	[6250] 705 80	[6840] 775 77			
[10] 38	[570] 65 123	[1250] 140 122	[1940] 220 121	[2610] 295 120	[3310] 375 119	[3920] 440 117	[4530] 510 113	[5150] 580 110	[5760] 650 106	[6370] 720 102				
[12] 45	[530] 60 148	[1220] 140 147	[1920] 215 145	[2600] 295 144	[3300] 375 143	[3920] 440 142	[4530] 510 138	[5150] 580 133	[5760] 650 128	[6370] 720 124				
[14] 53	[480] 55 172	[1180] 135 172	[1870] 210 170	[2560] 290 168	[3260] 370 167	[3900] 440 165	[4510] 510 160	[5120] 580 156	[5730] 645 152					
[16] 61	[430] 50 196	[1120] 125 196	[1820] 205 194	[2500] 280 192	[3210] 365 191	[3870] 440 188	[4480] 505 183	[5080] 575 178	[5690] 645 174					
[18] 68	[370] 40 221	[1060] 120 221	[1760] 200 218	[2440] 275 217	[3140] 355 215	[3800] 440 212	[4420] 500 207	[5050] 570 202						
[20] 76	[320] 35 246	[980] 110 245	[1680] 190 243	[2360] 265 241	[3050] 345 239	[3710] 420 236	[4370] 495 231	[5020] 565 226						
[22] 83	[240] 25 271	[920] 105 270	[1620] 185 268	[2300] 260 266	[2990] 340 263	[3560] 400 260	[4190] 475 258	[4820] 545 255						
[24] 91	[180] 20 296	[870] 100 294	[1550] 175 293	[2240] 255 290	[2920] 330 288	[3420] 385 285	[4020] 455 283	[4630] 525 280						
[25] 95	[150] 15 308	[840] 95 307	[1520] 170 305	[2200] 250 303	[2890] 325 300	[3340] 375 298	[3930] 445 295	[4520] 510 293						
[30] 114		[680] 75 365	[1360] 155 362	[2040] 230 360	[2720] 305 357	[3140] 355 356	[3810] 430 352							



Continuous
Intermittent

Motors Run with High Efficiency in All Areas Designated with a Number for Torque and Speed, However for Best Motor Life Select a Motor to Run with a Torque and Speed Range shown in the Light Blue Area.

395 cm³/r [24.0 in³/r]
 Δ Pressure Bar [PSI]

	[250] 15	[500] 35	[750] 50	[1000] 70	[1250] 85	[1500] 105	[1750] 120	[2000] 140	[2250] 155	[2500] 170	[2750] 190
[5] 1.9	[560] 65 4	[1310] 150 3									
[1] 3.8	[770] 85 9	[1540] 175 9	[2290] 260 9	[3080] 350 8	[3780] 430 8	[4480] 505 7	[5170] 585 7	[5880] 665 6	[6580] 745 5	[7270] 820 4	[7980] 900 3
[2] 7.5	[790] 90 18	[1580] 180 18	[2360] 265 18	[3180] 360 17	[3930] 445 17	[4680] 530 16	[5430] 615 15	[6180] 700 14	[6840] 775 13	[7500] 845 11	[8170] 925 10
[4] 15	[810] 90 37	[1660] 190 37	[2480] 280 37	[3320] 375 36	[4130] 465 36	[4940] 560 35	[5740] 650 34	[6550] 740 33	[7230] 815 31	[7880] 890 28	
[6] 23	[820] 90 57	[1700] 190 56	[2550] 290 56	[3420] 385 55	[4250] 480 54	[5080] 575 52	[5920] 670 50	[6750] 765 49	[7420] 840 47	[8000] 905 45	
[8] 30	[820] 90 76	[1700] 190 75	[2580] 290 75	[3460] 390 74	[4300] 485 73	[5130] 580 71	[5960] 675 69	[6800] 770 68			
[10] 38	[800] 90 95	[1700] 190 94	[2590] 295 94	[3480] 395 93	[4320] 490 92	[5160] 585 90	[6000] 680 88	[6840] 775 86			
[12] 45	[770] 85 114	[1680] 190 113	[2570] 290 113	[3470] 390 112	[4310] 485 111	[5150] 580 109	[5990] 675 106	[6830] 770 103			
[14] 53	[740] 85 133	[1640] 185 132	[2530] 285 132	[3430] 390 131	[4280] 485 129	[5120] 580 127	[5960] 675 124				
[16] 61	[690] 80 153	[1590] 180 152	[2480] 280 152	[3370] 380 150	[4220] 475 149	[5060] 570 146	[5910] 670 144				
[18] 68	[640] 70 172	[1530] 170 171	[2420] 275 171	[3310] 375 170	[4160] 470 169	[5010] 565 167	[5870] 665 164				
[20] 76	[580] 65 191	[1470] 165 190	[2370] 270 190	[3260] 370 189	[4110] 465 188	[4960] 560 186	[5820] 660 184				
[22] 83	[510] 60 210	[1390] 155 209	[2290] 260 209	[3170] 360 208	[4030] 455 207	[4880] 550 206					
[24] 91	[440] 50 230	[1330] 150 229	[2220] 250 228	[3100] 350 227	[3950] 445 225	[4800] 540 224					
[26] 98	[350] 40 249	[1240] 140 248	[2130] 240 247	[3020] 340 246	[3880] 440 244	[4730] 535 242					
[28] 106	[270] 30 268	[1150] 130 267	[2050] 230 265	[2930] 330 264	[3790] 430 261	[4650] 525 259					
[30] 114	[180] 20 287	[1060] 120 286	[1960] 220 284	[2850] 320 283	[3710] 420 281	[4570] 515 277					
[35] 132		[840] 95 335	[1760] 200 334	[2640] 300 333	[3480] 395 332						

Performance Data is Typical at 120 SUS. Actual data may vary slightly from unit to unit in production

Performance Data 2000 Series

490 cm³/r [29.8 in³/r]
Δ Pressure Bar [PSI]

	[250] 15	[500] 35	[750] 50	[1000] 70	[1250] 85	[1500] 105	[1750] 120	[2000] 140
[.5] 1.9	[670] 75 2	[1600] 180 1						
[1] 3.8	[920] 105 7	[2000] 225 6	[2990] 340 5	[3900] 440 4	[4880] 550 2			
[2] 7.5	[950] 105 14	[2060] 235 13	[3110] 350 12	[4080] 460 10	[5110] 575 9	[6320] 715 7		
[4] 15	[980] 110 30	[2130] 240 29	[3230] 365 28	[4270] 480 27	[5350] 605 26	[6370] 720 24	[7380] 835 22	[7980] 900 20
[6] 23	[980] 110 45	[2120] 240 44	[3230] 365 43	[4300] 485 42	[5370] 605 41	[6420] 725 39	[7470] 845 37	[8225] 930 35
[8] 30	[980] 110 61	[2110] 240 60	[3220] 365 59	[4330] 490 58	[5400] 610 57	[6470] 730 55	[7550] 855 52	
[10] 38	[920] 105 76	[2050] 230 75	[3170] 360 74	[4300] 485 73	[5390] 610 72	[6460] 730 70	[7550] 855 68	
[12] 45	[860] 95 91	[1990] 225 90	[3120] 355 90	[4260] 480 89	[5370] 605 87	[6460] 730 85	[7560] 855 84	
[14] 53	[790] 90 106	[1930] 220 105	[3055] 345 105	[4185] 475 104	[5300] 600 102	[6400] 725 100		
[16] 61	[720] 80 122	[1870] 210 121	[2990] 340 120	[4110] 465 119	[5230] 590 118	[6340] 715 116		
[18] 68	[630] 70 137	[1770] 200 136	[2890] 325 135	[4020] 455 134	[5140] 580 133	[6260] 705 131		
[20] 76	[550] 60 153	[1670] 190 152	[2800] 315 151	[3940] 445 150	[5060] 570 149	[6180] 700 146		
[22] 83	[450] 50 168	[1570] 175 168	[2700] 305 167	[3830] 435 165	[4960] 560 164	[6070] 685 161		
[24] 91	[360] 40 184	[1480] 165 184	[2600] 295 183	[3730] 420 181	[4860] 550 179	[5970] 675 177		
[26] 98	[270] 30 199	[1390] 155 195	[2510] 285 194	[3640] 410 192	[4770] 540 190			
[28] 106		[1260] 140 212	[2370] 270 211	[3520] 400 209	[4630] 525 207			
[30] 114		[1130] 125 230	[2240] 255 229	[3400] 385 277	[4500] 510 224			

Motors Run with High Efficiency in All Areas Designated with a Number for Torque and Speed, However for Best Motor Life Select a Motor to Run with a Torque and Speed Range shown in the Light Blue Area.

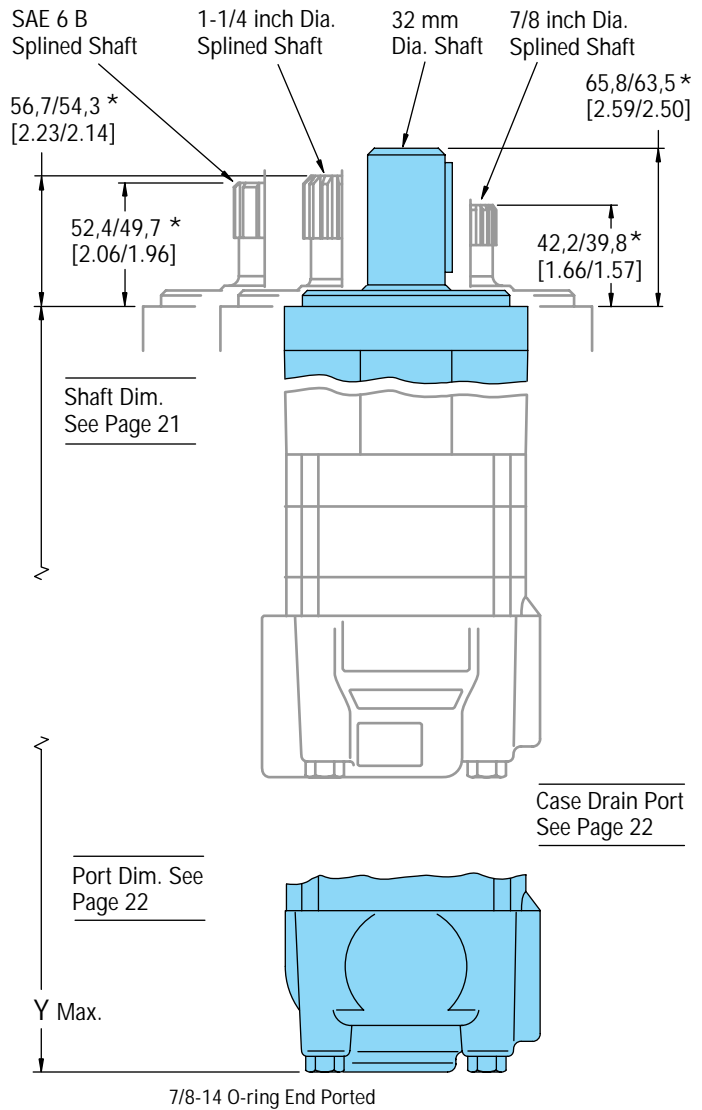
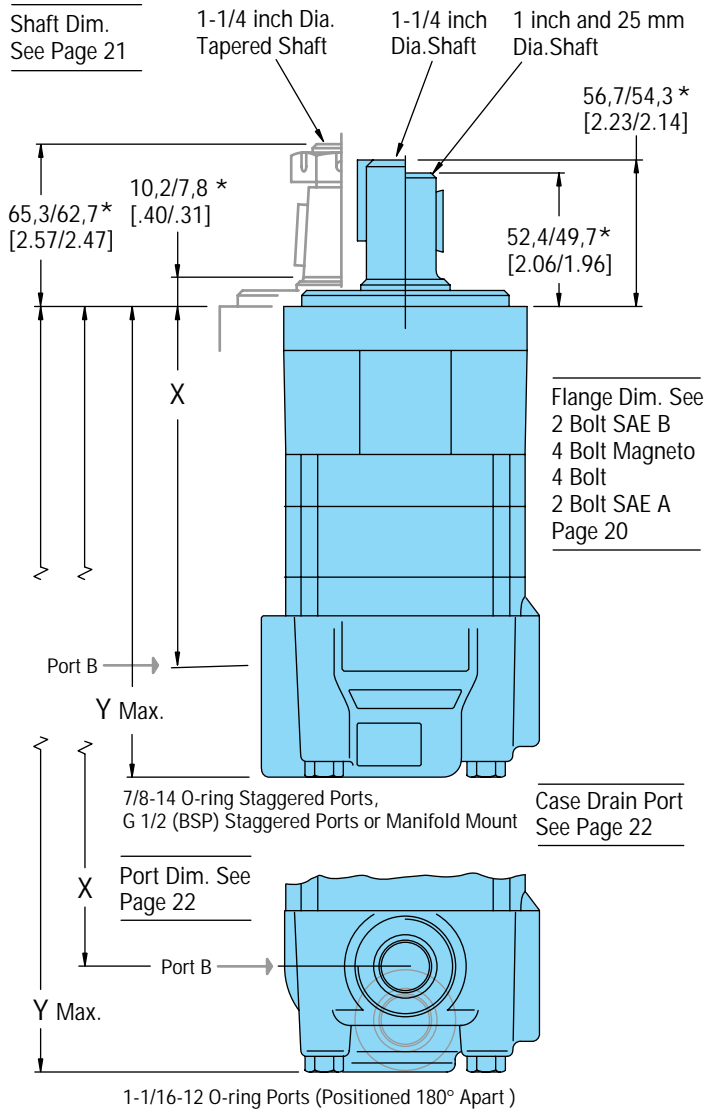
[1130]
425
230

 } Torque [lb-in]
 Nm
 } Speed RPM

Continuous
 Intermittent

Performance Data is Typical at 120 SUS. Actual data may vary slightly from unit to unit in production

Dimensions — 2000 Series Standard Motor



2000 Series Standard Motor with 7/8-14 O-ring Staggered Ports, G 1/2 (BSP) Staggered Ports or Manifold Mount

Displ. cm ³ /r	80	100	130	160	195	245	305	395	490
[in ³ /r]	[4.9]	[6.2]	[8.0]	[9.6]	[11.9]	[14.9]	[18.7]	[24.0]	[29.8]
Dim. mm	137,0	141,6	147,9	147,9	154,8	163,7	175,1	191,1	208,4
X [inch]	[5.40]	[5.58]	[5.83]	[5.83]	[6.10]	[6.45]	[6.90]	[7.53]	[8.21]
Dim. mm	184,5	189,0	195,4	195,4	202,2	211,1	222,6	238,6	255,8
Y [inch]	[7.26]	[7.44]	[7.69]	[7.69]	[7.96]	[8.31]	[8.76]	[9.39]	[10.07]

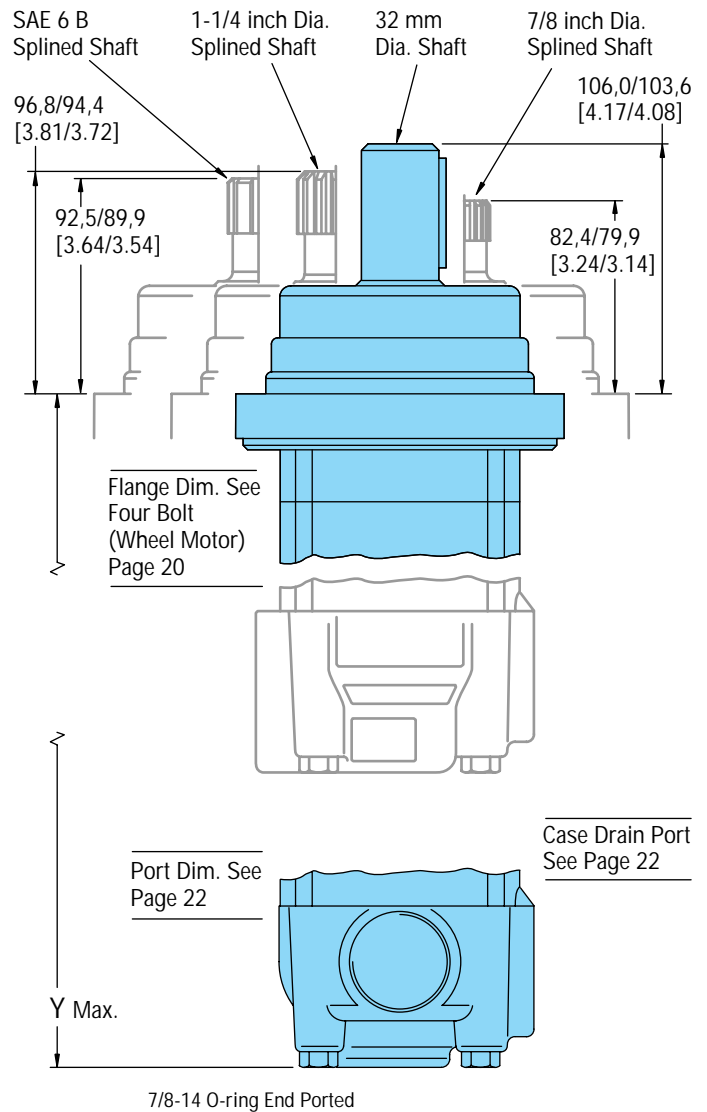
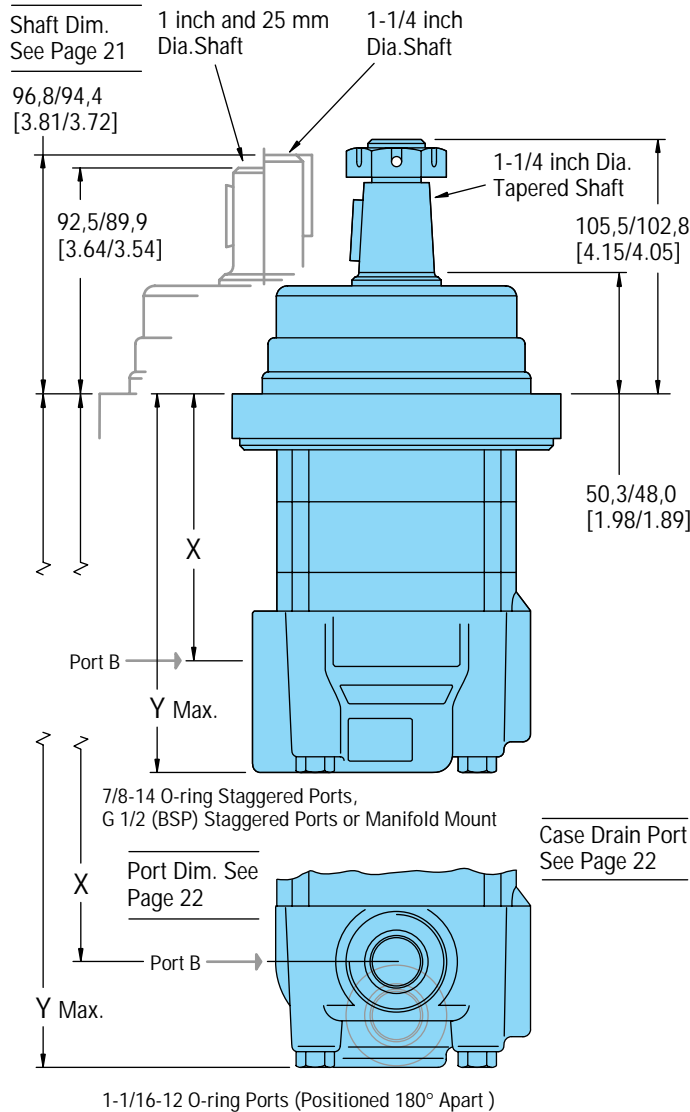
2000 Series Standard Motor with 1-1/16-12 O-ring Ports (Positioned 180° Apart) and use Only Dim. Y for 7/8-14 O-ring End Ported Motors

Dim. mm	139,3	143,9	150,2	150,2	157,1	166,0	177,4	193,4	210,7
X [inch]	[5.49]	[5.67]	[5.92]	[5.92]	[6.19]	[6.54]	[6.99]	[7.62]	[8.30]
Dim. mm	185,7	190,3	196,6	196,6	203,5	212,4	223,8	239,8	270,1
Y [inch]	[7.31]	[7.49]	[7.74]	[7.74]	[8.01]	[8.36]	[8.81]	[9.44]	[10.12]

Standard Rotation
Viewed from Shaft End
Port A Pressurized — CW
Port B Pressurized — CCW

*Subtract 4, 1/3, 6 [.16/.14] when ordering motor with 4-bolt magneto flange

Dimensions — 2000 Series Wheel Motor



2000 Series Wheel Motor with 7/8-14 O-ring Staggered Ports, G 1/2 (BSP) Staggered Ports or Manifold Mount

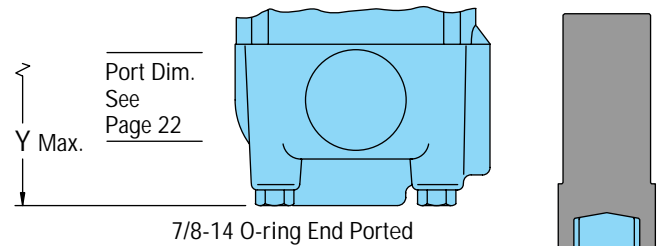
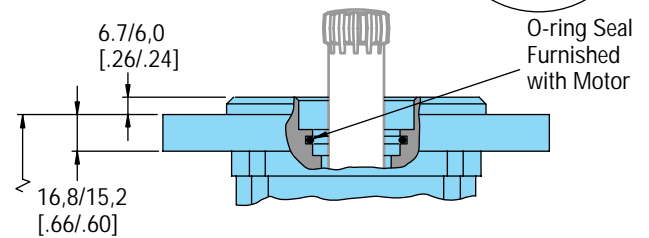
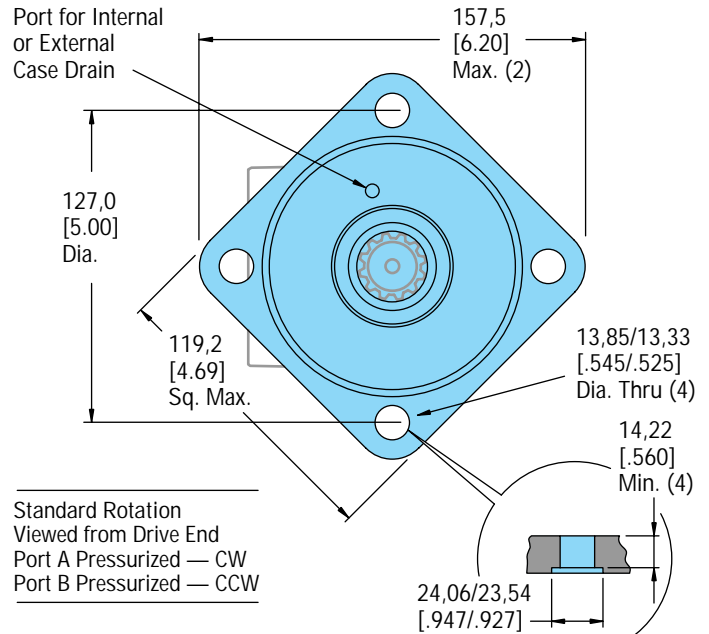
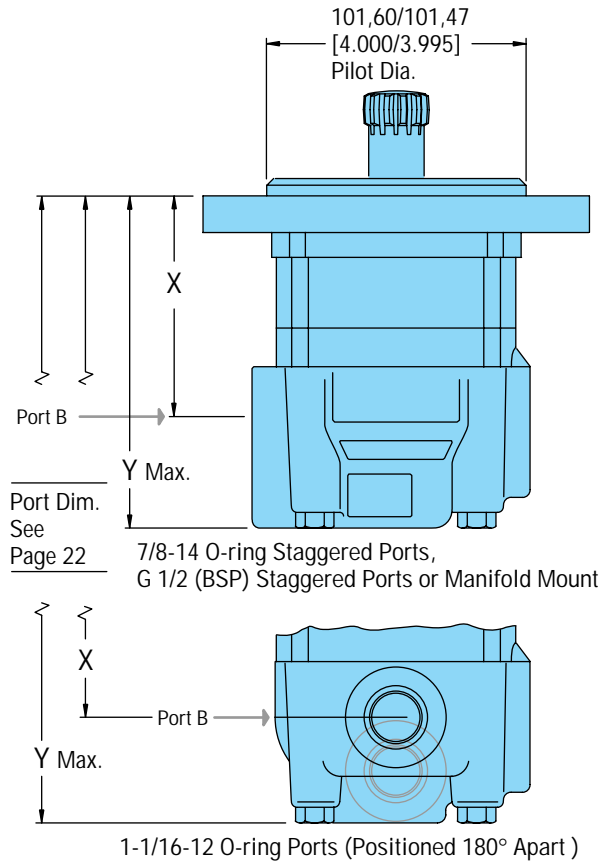
Displ. cm ³ /r [in ³ /r]	80 [4.9]	100 [6.2]	130 [8.0]	160 [9.6]	195 [11.9]	245 [14.9]	305 [18.7]	395 [24.0]	490 [29.8]
Dim. mm X [inch]	96,9 [3.82]	101,4 [4.00]	107,8 [4.25]	107,8 [4.25]	114,6 [4.52]	123,5 [4.87]	135,0 [5.32]	151,0 [5.95]	168,2 [6.63]
Dim. mm Y [inch]	144,3 [5.68]	148,9 [5.86]	155,2 [6.11]	155,2 [6.11]	162,1 [6.38]	171,0 [6.73]	182,4 [7.18]	198,4 [7.81]	215,7 [8.49]

2000 Series Wheel Motor with 1-1/16-12 O-ring Ports (Positioned 180° Apart) and use Only Dim. Y for 7/8-14 O-ring End Ported Wheel Motors

Dim. mm X [inch]	99,1 [3.91]	103,7 [4.09]	110,1 [4.34]	110,1 [4.34]	116,9 [4.61]	125,8 [4.96]	161,1 [5.41]	177,1 [6.98]	194,4 [7.66]
Dim. mm Y [inch]	145,6 [5.73]	150,2 [5.91]	156,5 [6.16]	156,5 [6.16]	163,4 [6.43]	172,3 [6.78]	183,7 [7.23]	199,7 [7.86]	217,0 [8.54]

Standard Rotation
Viewed from Shaft End
Port A Pressurized — CW
Port B Pressurized — CCW

Dimensions — 2000 Series Bearingless Motor



2000 Series Bearingless Motor with 7/8-14 O-ring Staggered Ports, G 1/2 (BSP) Staggered Ports or Manifold Mount

Displ. cm ³ /r [in ³ /r]	80	100	130	160	195	245	305	395	490
Dim. mm	79,0	83,5	89,9	89,9	96,8	105,6	117,1	133,1	150,3
X [inch]	[3.11]	[3.29]	[3.54]	[3.54]	[3.81]	[4.16]	[4.61]	[4.24]	[5.92]
Dim. mm	126,8	131,4	137,7	137,7	144,6	153,5	164,9	180,9	198,2
Y [inch]	[4.99]	[5.17]	[5.42]	[5.42]	[5.69]	[6.04]	[6.49]	[7.12]	[7.80]

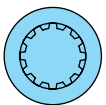
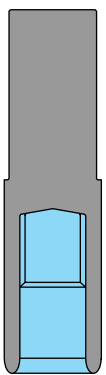
2000 Series Bearingless Motor with 7/8-14 O-ring End Ports or 1-1/16-12 O-ring Ports (Positioned 180° Apart)

Dim. mm	81,3	85,8	92,2	92,2	99,0	107,9	119,4	135,4	152,5
X [inch]	[3.20]	[3.38]	[3.63]	[3.63]	[3.90]	[4.25]	[4.70]	[5.33]	[6.00]
Dim. mm	128,0	132,6	139,0	139,0	145,8	154,7	166,1	182,1	199,3
Y [inch]	[5.04]	[5.22]	[5.47]	[5.47]	[5.74]	[6.09]	[6.54]	[7.17]	[7.85]

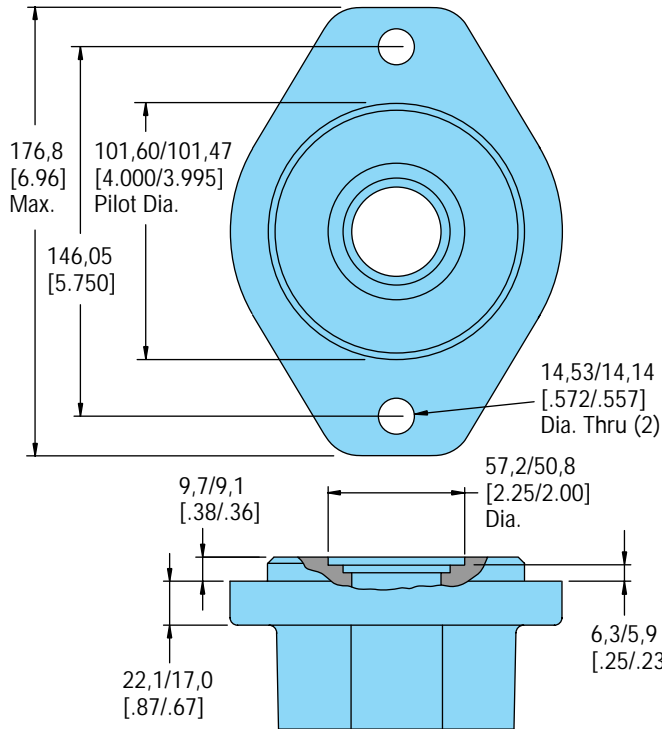
For 2000 Series Bearingless Motor Application Information Contact Your Eaton Representative (Mating Coupling Blanks Available from Eaton Corporation).

Note: After Machining Blank, Part Must be Hardend Per Eaton Specification.

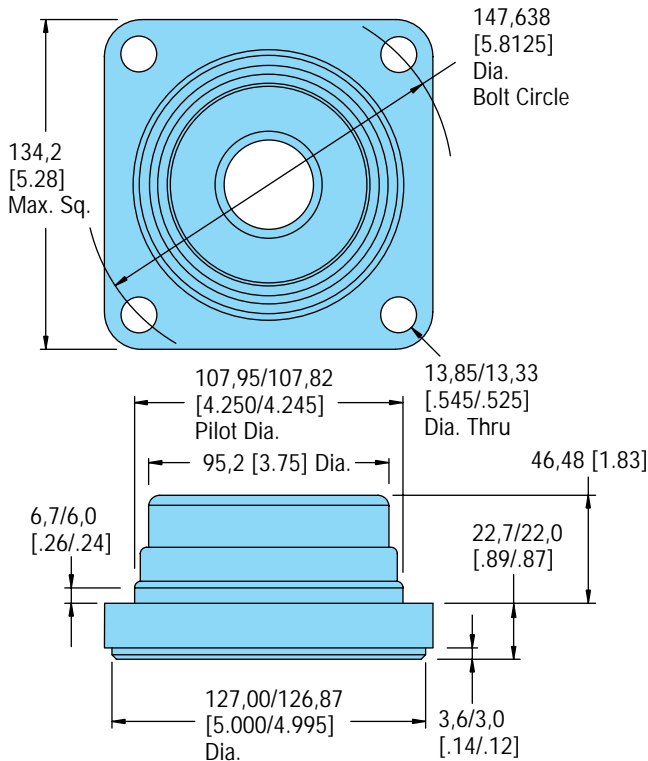
Mating Coupling Blank
Eaton Part No. 13307-003



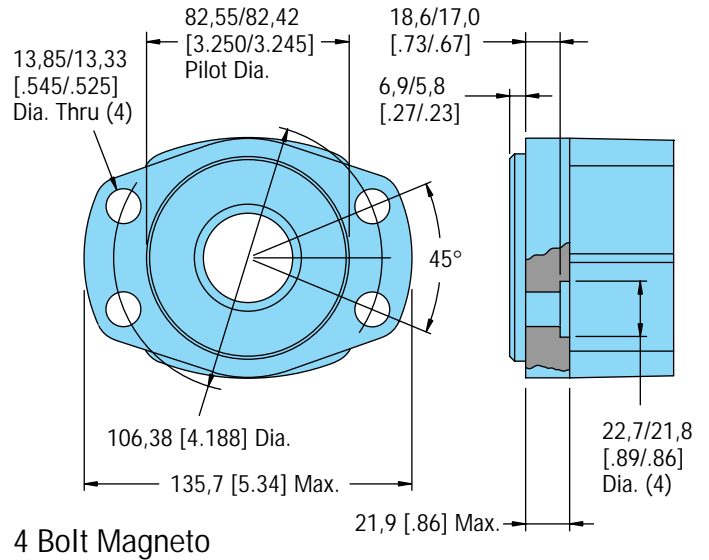
Dimensions — Mounting Options 2000 Series



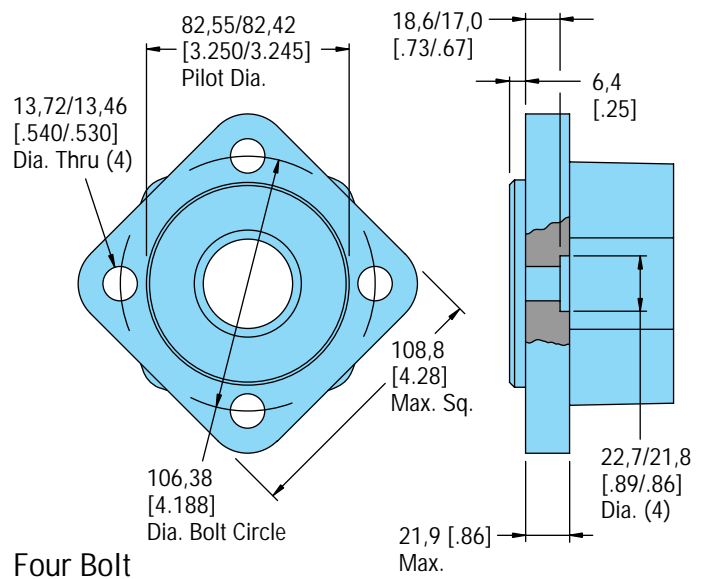
2 Bolt SAE B



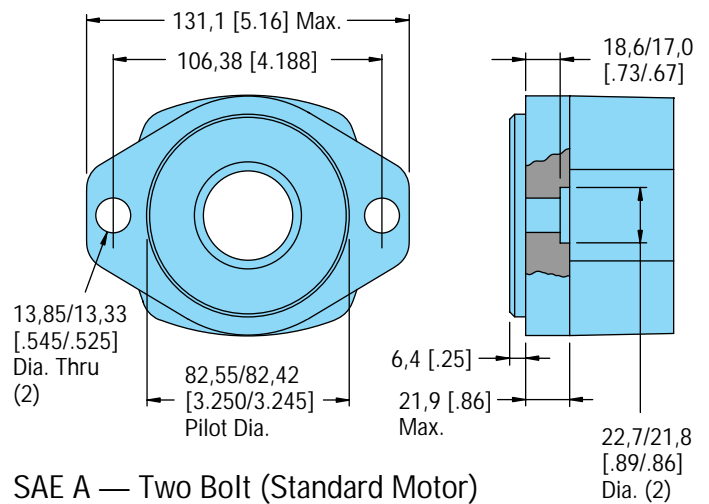
Four Bolt (Wheel Motor)



4 Bolt Magneto



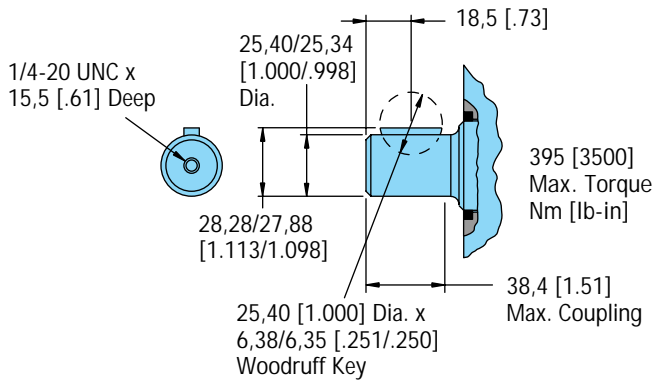
Four Bolt



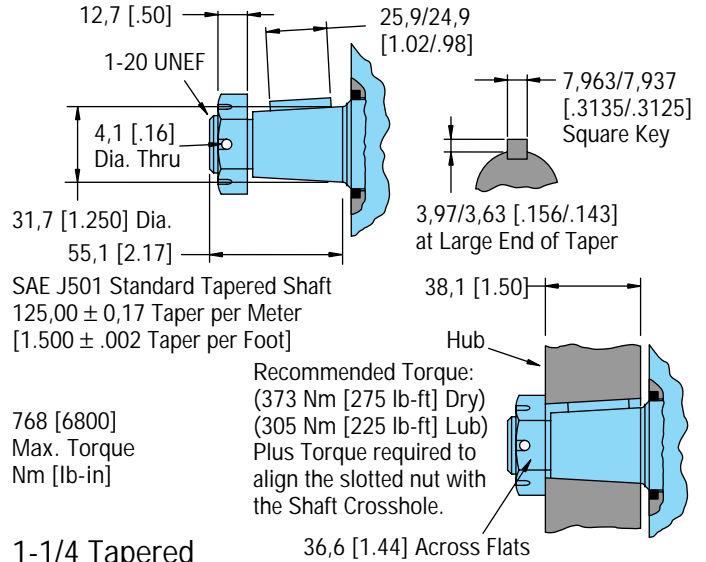
SAE A — Two Bolt (Standard Motor)

Dimensions — Shafts

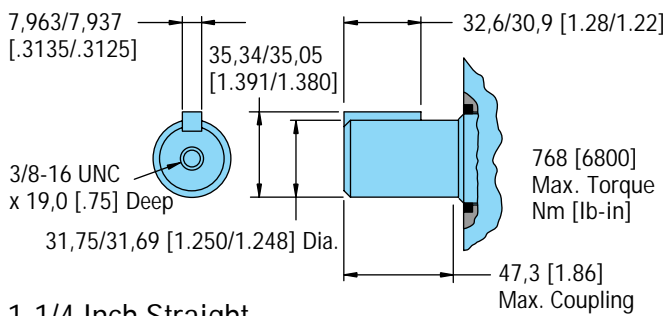
2000 Series



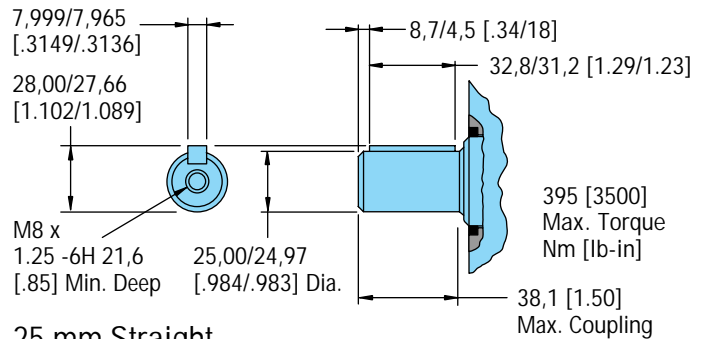
1 Inch Straight



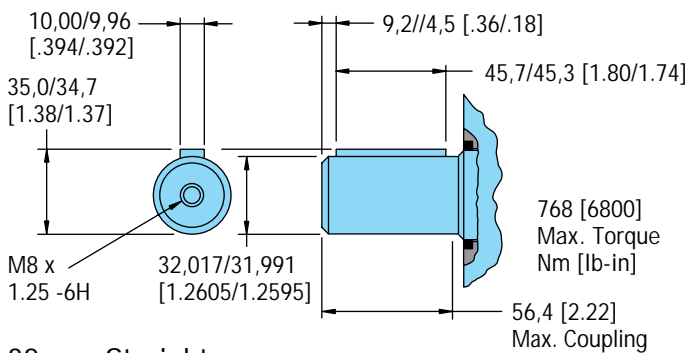
1-1/4 Tapered



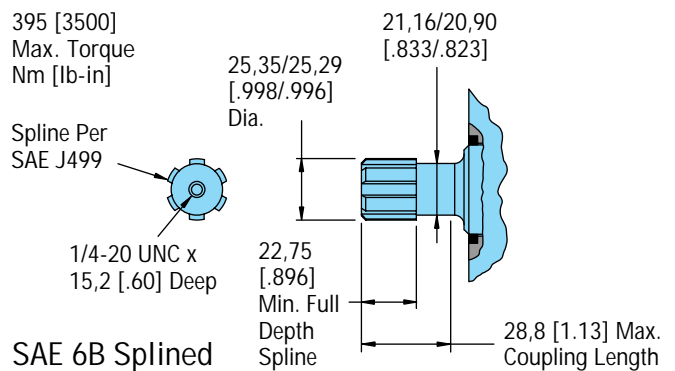
1-1/4 Inch Straight



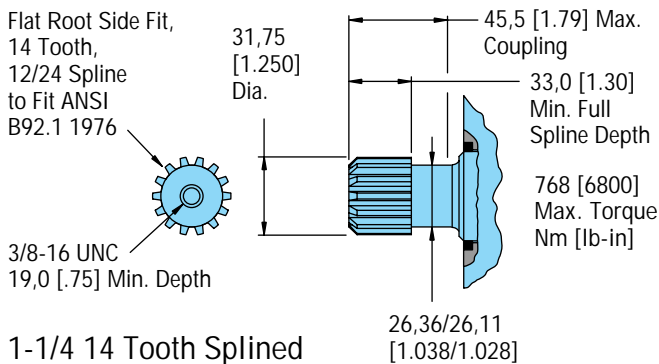
25 mm Straight



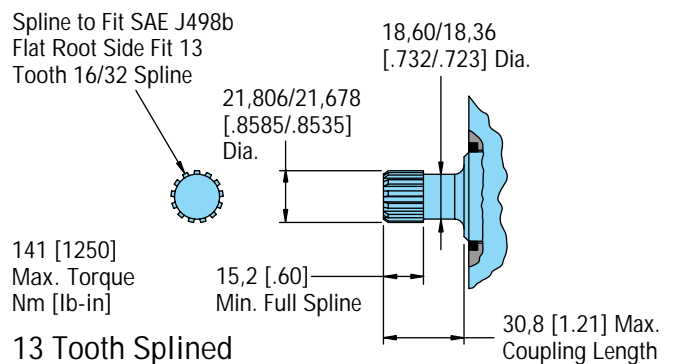
32 mm Straight



SAE 6B Splined



1-1/4 14 Tooth Splined



13 Tooth Splined

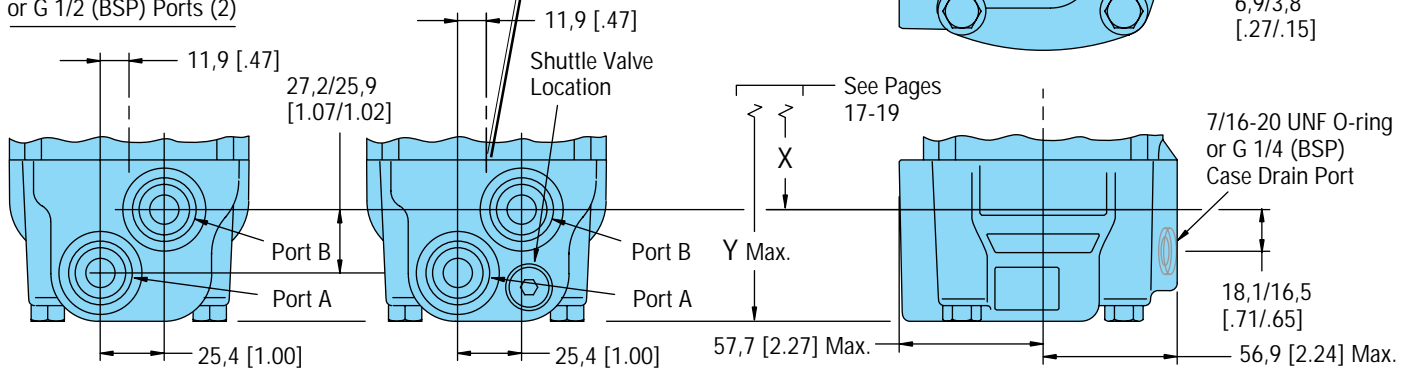
Dimensions — Ports

2000 Series

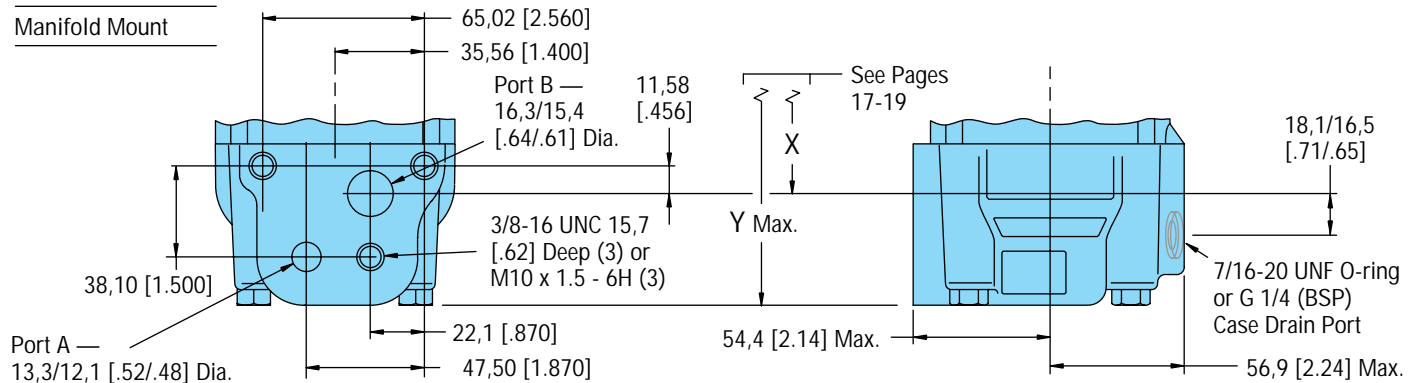
2000 Series with Shuttle Valve

Standard Rotation — 2000 Series
Viewed from Shaft End
Port A Pressurized — CW
Port B Pressurized — CCW

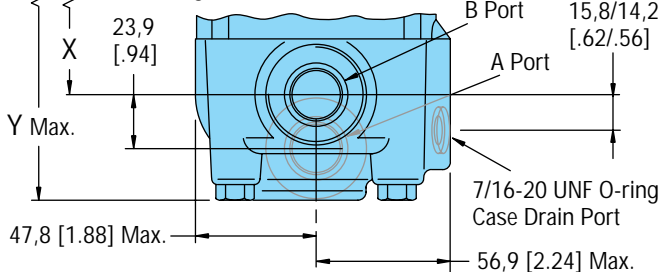
7/8-14 O-ring Ports (2)
or G 1/2 (BSP) Ports (2)



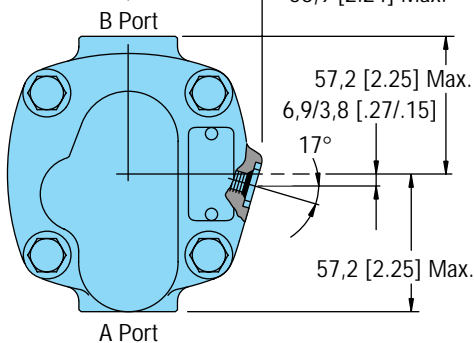
Manifold Mount



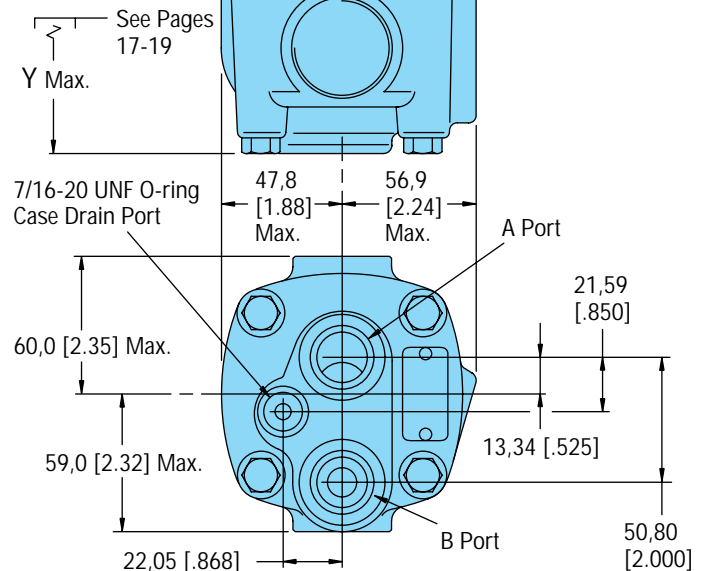
See Pages 17-19



1-1/16-12 O-ring Ports (2)
Positioned 180° Apart



7/8-14 O-ring End Ports (2)



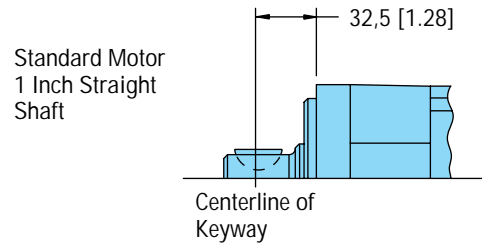
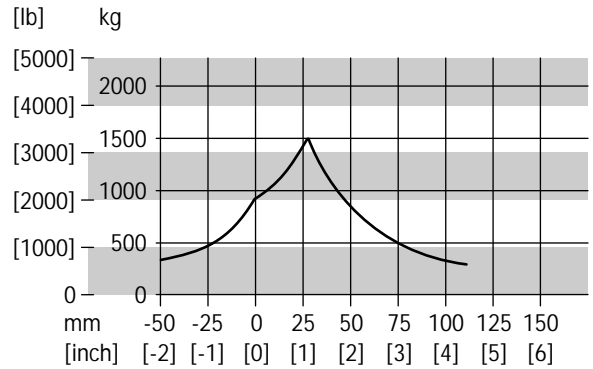
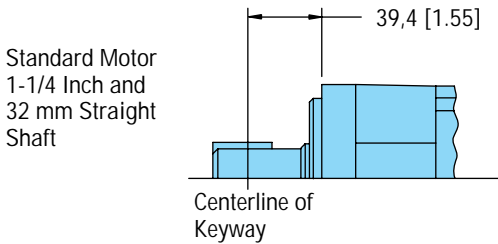
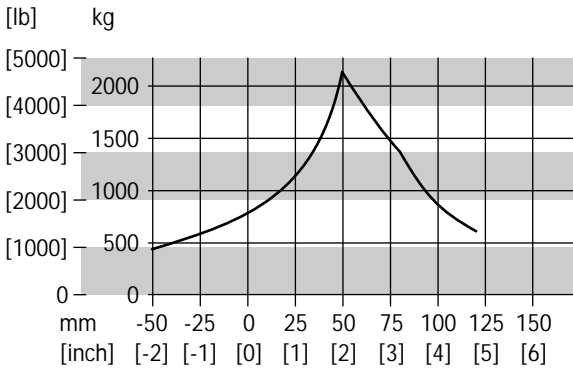
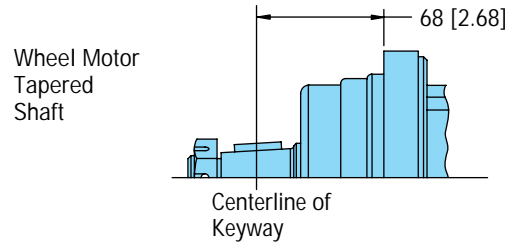
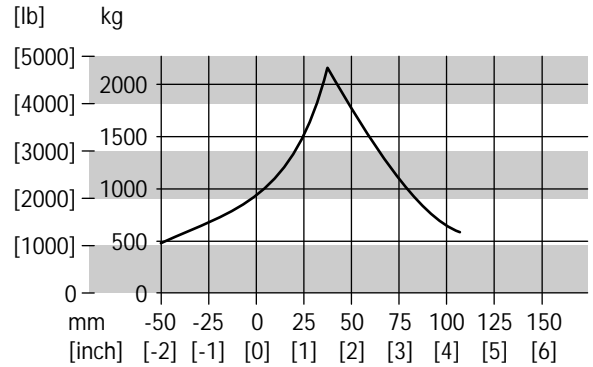
Shaft Side Load Capacity 2000 Series

These curves indicate the radial load capacity on the motor shaft(s) at various locations.

The curve is based on B 10 Bearing life (2000 hours or 12,000,000 shaft revolutions at 100 RPM) at rated output torque. To determine radial load at speeds other than 100 RPM, multiply the load values given on the bearing curve by the factors in the chart below.

RPM	Multiplication Factor
50	1.23
100	1.00
200	.81
300	.72
400	.66
500	.62
600	.58
700	.56
800	.54

For 3,000,000 Shaft revolutions or 500 hours — Increase these shaft loads 52%.



Speed Sensor

2000 Series

4000 Series

6000 Series

Eaton has developed a speed sensor specifically designed for LSHT motors. The design is rugged and fully protected against accidental reverse polarity or short circuit hook up. A built in pull up resistor simplifies installation with control systems.

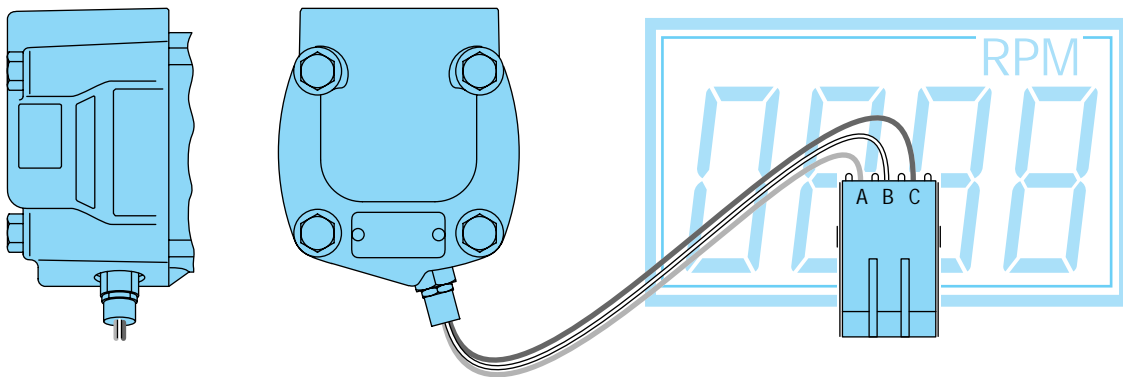
This sensor is fully compatible with mobile vehicle electrical systems and gives a reliable digital on/off signal over a wide speed range and temperature range. The sensor is field-serviceable; no factory setting or shimming is required.

Supply Voltage: 8 to 24 Vdc (compatible with 12V vehicle systems)
 Supply Current: 20 mA max. (Vs) (including internal pull-up resistor)
 Output Voltage: Low < .5 Vdc @ 10 mA; output is open collector with 10kΩ pull-up resistor.

Connection — standard 3 prong Weatherpack connector with 18 AWG (american wire gage) cables:
 Position A (red) = power supply
 Position B (white) = signal output
 Position C (black) = common

Output — digital on/off signal from a Hall Effect switch; 30 pulses/revolution

2000 Series



Note: The speed sensor option does NOT include read-out display. Possible sources for read-out display include:

Eaton Corporation
 Durant Products
 901 South 12th Street
 Watertown, WI 57094
 1-800-289-3866

Hayes M15WM Brake System 2000 Series Wheel Motors

Hayes Industrial Brakes, Inc. supplies its Model M15WM mechanical parking/service brake for use with 2000 Series wheel motors on commercial turf and specialty-vehicle applications. Basic packages available are:

- M15WM for 203,2 [8.0] wheels (152,4 [6.0] rotor diameter)
- M15WM for 254 [10.0] wheels (209,6 [8.25] rotor diameter)

Features

- Up to 1450 lb. of clamping force available
- Simple single-piece caliper bridge design
- Fewer moving parts
- Comprehensive braking system design includes:
 - Aluminum caliper
 - Ductile cast iron bracket
 - Ductile cast iron hub/disc
- Several shaft sizes and hub mounting hole options available.

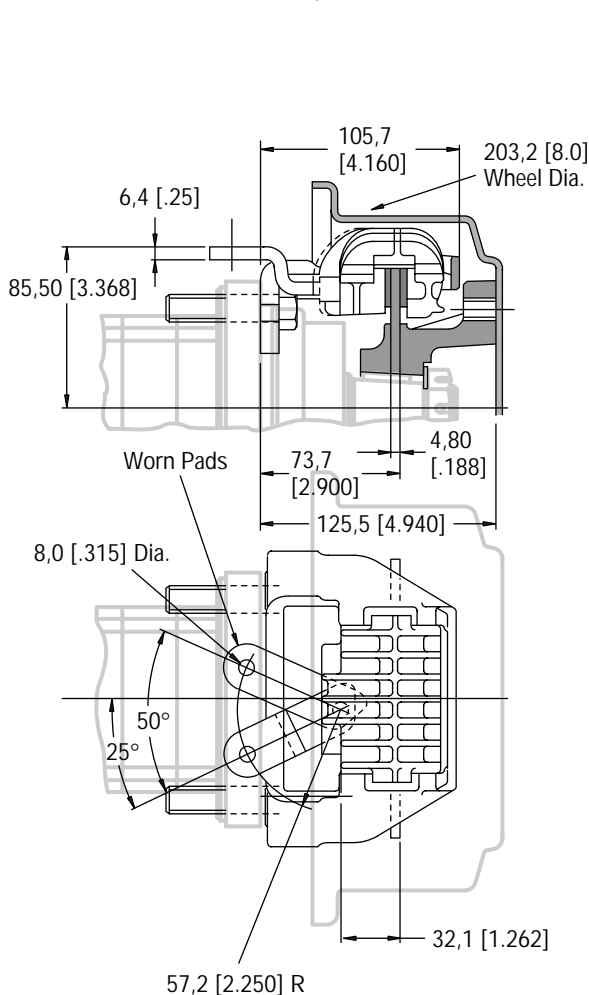
Note: Brake systems must be purchased directly from Hayes Industrial Brake. Eaton does not sell the brake nor does it install on motors. For more information, contact:

Hayes Industrial Brake, Inc.
5800 West Donges Bay Road
Mequon, WI 57092
Phone: (414) 242-4300; Fax: (414) 242-0524

Dimensions — Mounting

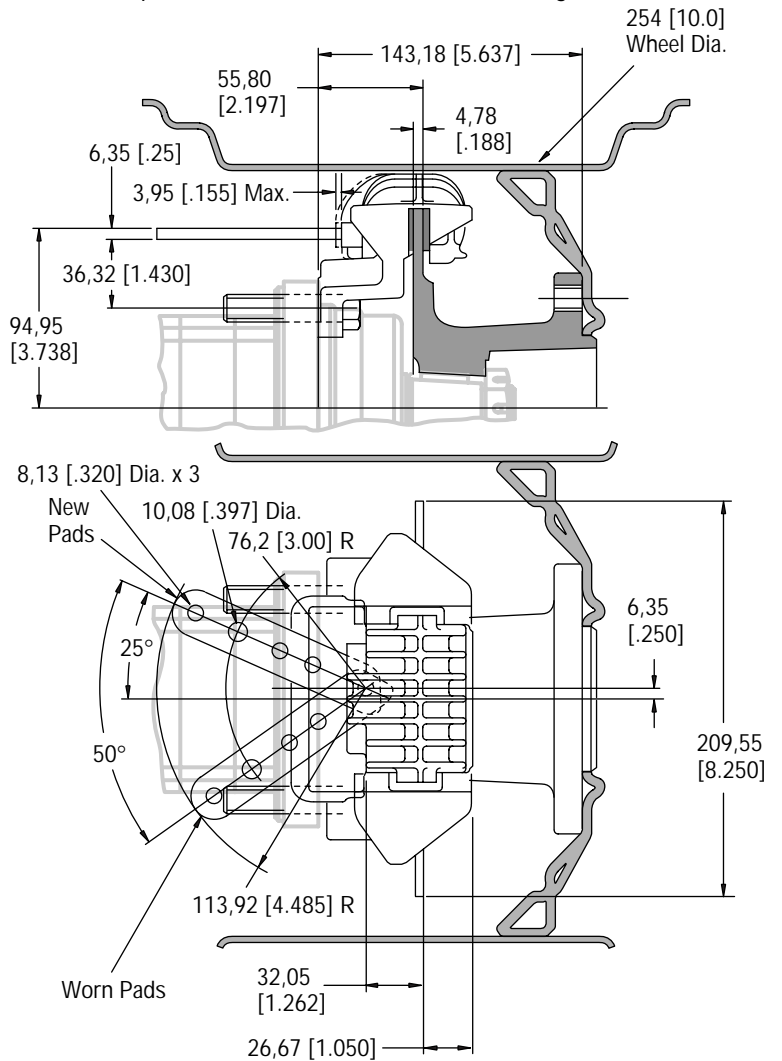
8-Inch Wheel
305 N-m (2700 lb-in) Max. Torque

Requires special 2K mounting code "P".

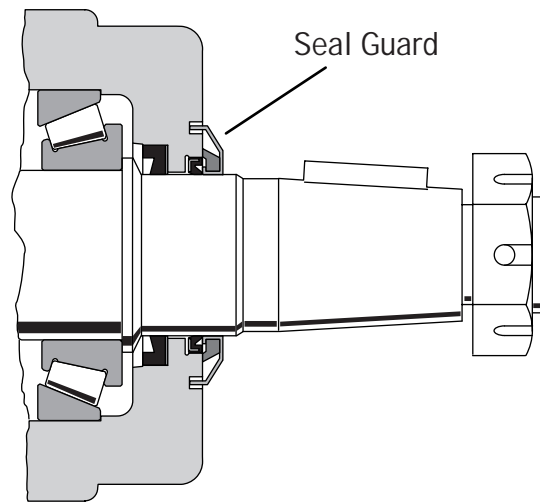


10-Inch Wheel
429,4 N-m (3800 lb-in) Max. Torque

Compatible with standard 4-bolt wheel configuration



Optional Seal Guard Package for 2000, 4000, and 6000 Series



In response to the need for robust seal protection requirements, Eaton now offers a seal guard package. This feature consists of a metal shield that protects an internal wiper seal. The shield is interference-fit on the output shaft and rotates with the output shaft. For added protection, the shield is recessed into a special groove in the bearing housing face.

Centrifugal force causes foreign debris to be forced away from the high pressure shaft and dust seal area. The seal guard does not seal hydraulic fluid. Instead, it protects the standard seals from damage caused by foreign debris. Typical applications benefiting from this feature include street sweepers, industrial sweepers, and harvesting machinery.

NOTE: This option is used in conjunction with the special front retainer with shield groove. Special feature (Hardware) option code "28" for 2000, "13" for 4000, and "14" for 6000 Series, these motors include the seal guard package, special front retainer and a special shaft with additional length (6000 Series with design code - 006 (effective December 1, 1995) will not require a special front retainer and standard shafts will accept the seal guard).

Product Numbers 2000 Series

Product Numbers—2000 Series

Use digit prefix —104-, 105-, or 106- plus four digit number from charts for complete product number—Example 106-1043.
Orders will not be accepted without three digit prefix.

Mounting	Shaft	Ports	Displacement cm ³ /r [in ³ /r] and Product Number								
			80 [4.9]	100 [6.2]	130 [8.0]	160 [9.6]	195 [11.9]	245 [14.9]	305 [18.7]	395 [24.0]	490 [29.8]
2 Bolt SAE A Flange	1 inch Straight	7/8-14 O-ring Staggered	104-1001	-1002	-1003	-1004	-1005	-1006	-1007	-1143	—
		1-1/16—12 O-ring 180° Apart	104-1037	-1038	-1039	-1040	-1041	-1042	-1043	-1044	—
	1-1/4 Inch Straight	7/8-14 O-ring Staggered	104-1022	-1023	-1024	-1025	-1026	-1027	-1028	-1228	-1420
		1-1/16—12 O-ring 180° Apart	104-1061	-1062	-1063	-1064	-1065	-1066	-1067	-1068	-1421
	1-1/4 Inch 14 T Splined	7/8-14 O-ring Staggered	104-1029	-1030	-1031	-1032	-1033	-1034	-1035	-1229	-1422
		1-1/16—12 O-ring 180° Apart	104-1087	-1088	-1089	-1090	-1091	-1092	-1093	-1094	-1423
2 Bolt SAE B Flange	1-1/4 Inch Straight	7/8-14 O-ring Staggered	104-1200	-1201	-1202	-1203	-1204	-1205	-1206	-1207	—
		7/8-14 O-ring Staggered	104-1208	-1209	-1210	-1211	-1212	-1213	-1214	-1215	—
	1 Inch SAE 6B Splined	7/8-14 O-ring Staggered	104-1193	-1194	-1195	-1196	-1197	-1198	-1199	—	—
	7/8 Inch SAE B Splined	7/8-14 O-ring Staggered	104-1216	-1217	-1218	-1219	-1220	—	—	—	—
Standard with 4 Bolt Square Flange	32 mm Straight	G 1/2 (BSP)	104-1384	-1385	-1386	-1387	-1388	-1389	-1390	-1391	—
	1-1/4 Inch 14 T Splined	G 1/2 (BSP)	104-1376	-1377	-1378	-1379	-1380	-1381	-1382	-1383	—
Wheel Motor	1-1/4 Inch Straight	7/8-14 O-ring Staggered	105- —	—	—	—	—	—	—	—	-1148
		1-1/16—12 O-ring 180° Apart	105- —	—	—	—	—	—	—	—	-1149
	32 mm Straight	G 1/2 (BSP)	105-1134	-1135	-1136	-1137	-1138	-1139	-1140	-1141	—
		7/8-14 O-ring Staggered	105-1001	-1002	-1003	-1004	-1005	-1006	-1007	-1060	-1152
	1-1/4 Inch Tapered	1-1/16—12 O-ring 180° Apart	105-1071	-1072	-1073	-1074	-1075	-1076	-1077	-1078	—
		7/8-14 O-ring Staggered	105-1029	-1030	-1031	-1032	-1033	-1034	-1035	-1096	—
1-1/4 Inch 14 T Splined	1-1/16—12 O-ring 180° Apart	105-1079	-1080	-1081	-1082	-1083	-1084	-1085	-1086	—	
	7/8-14 O-ring Staggered	106-1008	-1009	-1010	-1011	-1012	-1013	-1014	-1015	-1047	
Bearingless		G 1/2 (BSP)	106-1038	-1039	-1040	-1041	-1042	-1043	-1044	-1045	—

106-1043

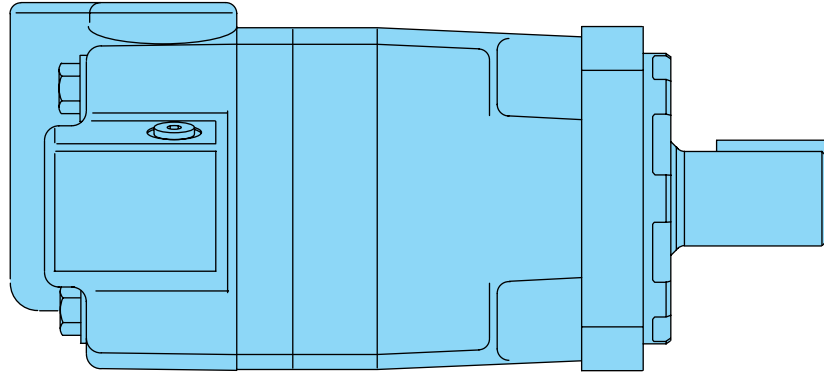
Product Numbers—2000 Series Motors with Corrosion Protection

Mounting	Shaft	Ports	Displacement cm ³ /r [in ³ /r] and Product Number								
			80 [4.9]	100 [6.2]	130 [8.0]	160 [9.6]	195 [11.9]	245 [14.9]	305 [18.7]	395 [24.0]	490 [29.8]
2 Bolt SAE A Flange	1 inch Straight	7/8-14 O-ring Staggered	104-1528	-1529	-1530	-1531	-1532	-1533	-1534	-1519	-1535
	1-1/4 Inch Straight	7/8-14 O-ring Staggered	104-1516	-1536	-1537	-1538	-1539	-1452	-1479	-1509	-1489

For 2000 Series Motors with a configuration *Not Shown* in the charts above: Use model code number system on page 72 to specify product in detail.

Specifications

4000 Series



Specification Data—4000 Series

Displ. cm ³ /r [in ³ /r]	110 [6.7]	130 [7.9]	160 [9.9]	205 [12.5]	245 [15.0]	310 [19.0]	395 [24.0]	495 [30.0]	625 [38.0]		
Max. Speed (RPM) @ Flow	Continuous	697	722	582	459	383	303	239	191	151	
	Intermittent	868	862	693	546	532	422	376	305	241	
Flow LPM [GPM]	Continuous	75 [20]	95 [25]	95 [25]	95 [25]	95 [25]	95 [25]	95 [25]	95 [25]	95 [25]	
	Intermittent	95 [25]	115 [30]	115 [30]	115 [30]	130 [35]	130 [35]	150 [40]	150 [40]	150 [40]	
Torque Nm [lb-in]	☆ 1-5/8 Inch Dia. Tapered Shaft	Continuous	320 [2850]	375 [3330]	485 [4290]	600 [5300]	705 [6240]	850 [7530]	930 [8240]	945 [8375]	970 [8605]
		Intermittent	470 [4160]	560 [4940]	705 [6240]	800 [7100]	845 [7470]	1065 [9420]	1185 [10470]	1170 [10350]	1180 [10450]
Pressure Δ Bar [Δ PSI]	☆ 1-5/8 Inch Dia. Tapered Shaft	Continuous	205 [3000]	205 [3000]	205 [3000]	205 [3000]	205 [3000]	205 [3000]	190 [2750]	140 [2000]	115 [1700]
		Intermittent	310 [4500]	310 [4500]	310 [4500]	310 [4500]	260 [3750]	260 [3750]	240 [3500]	170 [2500]	140 [2000]
		Peak	310 [4500]	310 [4500]	310 [4500]	310 [4500]	310 [4500]	310 [4500]	295 [4250]	295 [4250]	295 [4250]

Maximum Case Pressure - without Case Drain * — 100 Bar [1500 PSI]

A simultaneous maximum torque and maximum speed NOT recommended. For permissible continuous and intermittent operating combinations of pressure and flow refer to performance data on pages 29-32.

☆ Maximum torque for 1-1/4 inch shaft — 770 Nm [6800 lb-in] Continuous and 960 Nm [8500 lb-in] intermittent.

* For continuous back pressure over 105 Bar [1500 PSI] use an external case drain. Install case drain lines so that the motor case remains filled at all times.

Maximum inlet pressure — 310 Bar [4500 PSI]. Do not exceed Δ pressure rating (see chart above)

* Maximum return pressure — 310 Bar [4500 PSI]. Do not exceed Δ pressure rating (see chart above)

Δ Bar [Δ PSI] — True pressure difference between inlet port and outlet port.

Continuous Rating — Motor may be run continuously at these ratings.

Intermittent Operation — 10% of every minute.

Peak Operation — 1% of every minute.

Recommended Fluids — Premium quality, anti-wear type hydraulic oil with a viscosity of not less than 70 SUS at operating temperature (see page 69).

Recommended Maximum System Operating Temp. — Is 82° C [180° F]

Recommended Filtration — per ISO Cleanliness Code, level 18/13

To assure best motor life, run motor for approximately one hour at 30% of rated pressure before application to full load. Be sure motor is filled with fluid prior to any load applications.

Performance

Data 4000 Series

110 cm³/r [6.7 in³/r]
Δ Pressure Bar [PSI]

130 cm³/r [7.9 in³/r]
Δ Pressure Bar [PSI]

	[250] 15	[500] 35	[1000] 70	[1500] 105	[2000] 140	[2500] 170	[3000] 205	[3500] 240	[4000] 275	[4500] 310
[.5]	[150] 15	[390] 45	[850] 95	[1290] 145						
1.9	14	10	5	2						
[1]	[170] 20	[440] 50	[900] 100	[1380] 155	[1860] 210	[2270] 255	[2680] 305	[3110] 350		
3.8	34	33	31	28	25	22	18	11		
[2]	[180] 20	[450] 50	[910] 105	[1390] 155	[1860] 210	[2280] 260	[2700] 305	[3120] 355	[3450] 390	
7.5	68	67	62	56	50	44	36	28	18	
[4]	[190] 20	[460] 50	[940] 105	[1400] 160	[1870] 210	[2310] 260	[2730] 310	[3140] 355	[3560] 400	[3880] 440
15	138	136	123	110	97	84	70	56	42	28
[6]	[200] 25	[470] 55	[960] 110	[1420] 160	[1880] 210	[2320] 260	[2760] 310	[3200] 360	[3640] 410	[3950] 455
23	207	204	190	174	158	144	126	108	90	72
[8]	[190] 20	[460] 50	[950] 105	[1420] 160	[1880] 210	[2340] 265	[2790] 315	[3230] 365	[3670] 415	[4010] 455
30	277	274	270	262	253	241	228	213	196	179
[10]	[180] 20	[460] 50	[950] 105	[1420] 160	[1890] 215	[2350] 265	[2820] 320	[3260] 370	[3700] 420	[4070] 460
38	347	344	340	331	322	308	292	274	255	236
[12]	[160] 20	[450] 50	[940] 105	[1420] 160	[1880] 210	[2350] 265	[2820] 320	[3260] 370	[3710] 420	[4080] 460
45	417	414	410	400	390	374	355	335	313	292
[14]	[140] 15	[440] 50	[930] 105	[1420] 160	[1880] 210	[2350] 265	[2830] 320	[3280] 370	[3730] 420	[4110] 465
53	487	484	480	469	458	440	419	406	388	368
[16]	[130] 15	[440] 50	[920] 105	[1410] 160	[1870] 210	[2350] 265	[2840] 320	[3300] 375	[3750] 425	[4120] 465
61	556	553	549	537	525	505	482	455	428	404
[18]	[100] 10	[440] 50	[910] 105	[1400] 160	[1870] 210	[2350] 265	[2840] 320	[3300] 375	[3770] 425	[4140] 465
68	626	622	618	606	593	570	545	516	485	460
[20]	[80] 10	[430] 50	[900] 105	[1370] 155	[1860] 210	[2350] 265	[2850] 320	[3320] 375	[3790] 430	[4160] 470
76	697	694	690	677	664	638	611	579	545	518
[25]		[400] 45	[860] 105	[1350] 155	[1850] 210	[2320] 260	[2830] 320	[3300] 375	[3780] 425	
95		868	861	838	816	792	767	729	690	

	[250] 15	[500] 35	[1000] 70	[1500] 105	[2000] 140	[2500] 170	[3000] 205	[3500] 240	[4000] 275	[4500] 310
[.5]	[310] 35	[510] 60	[1060] 120	[1590] 180						
1.9	12	9	5	2						
[1]	[290] 35	[530] 60	[1080] 120	[1600] 180	[2110] 240	[2640] 300	[3060] 345	[3450] 390		
3.8	30	28	25	19	14	13	12	4		
[2]	[280] 30	[530] 60	[1100] 125	[1620] 185	[2140] 240	[2660] 300	[3180] 360	[3600] 405	[4020] 450	[4080] 460
7.5	57	56	53	47	42	40	38	29	20	12
[4]	[260] 30	[520] 60	[1100] 125	[1650] 185	[2200] 250	[2700] 305	[3210] 365	[3660] 415	[4100] 465	[4560] 515
15	116	114	111	105	100	95	90	70	50	37
[6]	[240] 25	[510] 60	[1100] 125	[1650] 185	[2200] 250	[2720] 305	[3240] 365	[3710] 420	[4180] 470	[4660] 525
23	173	170	167	161	156	149	142	123	104	91
[8]	[230] 25	[510] 60	[1080] 120	[1640] 185	[2210] 250	[2740] 305	[3270] 370	[3770] 425	[4270] 480	[4750] 535
30	228	225	222	216	210	202	194	176	158	145
[10]	[210] 25	[510] 60	[1080] 120	[1640] 185	[2210] 250	[2750] 310	[3300] 375	[3820] 430	[4350] 490	[4840] 545
38	283	281	278	272	266	256	246	229	212	189
[12]	[200] 25	[500] 55	[1070] 120	[1640] 185	[2220] 250	[2750] 310	[3300] 375	[3840] 435	[4370] 495	[4870] 550
45	341	338	335	329	323	310	300	282	263	237
[14]	[180] 20	[490] 55	[1060] 120	[1640] 185	[2220] 250	[2750] 310	[3310] 375	[3860] 435	[4390] 495	[4890] 550
53	400	396	392	386	380	368	355	335	315	286
[16]	[160] 20	[490] 55	[1050] 115	[1630] 180	[2220] 250	[2760] 310	[3310] 375	[3860] 435	[4400] 495	[4920] 555
61	457	453	449	443	437	424	410	375	348	316
[18]	[130] 15	[480] 55	[1050] 120	[1630] 185	[2220] 250	[2760] 310	[3320] 375	[3870] 435	[4420] 495	[4940] 560
68	516	511	506	500	494	480	465	442	418	384
[20]	[110] 10	[470] 55	[1040] 120	[1620] 185	[2210] 250	[2760] 310	[3330] 375	[3890] 440	[4440] 500	
76	574	569	564	559	551	536	520	495	470	
[22]	[70] 10	[450] 50	[1020] 115	[1610] 180	[2190] 245	[2750] 310	[3320] 375	[3880] 440	[4440] 500	
83	633	628	624	615	606	590	573	547	520	
[25]		[50] 5	[430] 50	[1000] 115	[1580] 180	[2160] 245	[2720] 305	[3300] 375	[3860] 435	[4430] 500
95		722	718	714	702	690	672	653	625	595
[30]		[400] 45	[940] 105	[1500] 170	[2080] 235	[2670] 300	[3270] 360	[3740] 425		
114		862	855	842	827	806	783	749		

Motors Run with High Efficiency in All Areas Designated with a Number for Torque and Speed, However for Best Motor Life Select a Motor to Run with a Torque and Speed Range shown in the Light Blue Area.



Performance Data is Typical at 120 SUS. Actual data may vary slightly from unit to unit in production

160 cm³/r [9.9 in³/r]
Δ Pressure Bar [PSI]

Continuous
Intermittent 205 cm³/r [12.5 in³/r]
Δ Pressure Bar [PSI]

	[250] 15	[500] 35	[1000] 70	[1500] 105	[2000] 140	[2500] 170	[3000] 205	[3500] 240	[4000] 275	[4500] 310
[.5]	[300] 35	[680] 75	[1320] 150	[2050] 230	[2750] 310					
1.9	8	7	5	3	1					
[1]	[320] 35	[700] 80	[1350] 155	[2070] 235	[2780] 315	[3300] 375	[3940] 445	[4410] 500	[4950] 560	
3.8	23	22	20	19	18	16	15	8	2	
[2]	[330] 35	[700] 80	[1360] 155	[2080] 235	[2790] 315	[3340] 375	[3970] 450	[4530] 510	[5090] 575	[5590] 630
7.5	46	45	41	40	37	32	29	27	25	13
[4]	[320] 35	[710] 80	[1400] 160	[2100] 240	[2820] 320	[3420] 385	[4020] 455	[4620] 520	[5220] 590	[5730] 645
15	93	92	90	88	84	76	73	62	51	35
[6]	[300] 35	[710] 80	[1420] 160	[2140] 240	[2850] 320	[3510] 395	[4180] 470	[4760] 540	[5340] 605	[5870] 665
23	137	135	134	131	126	120	114	90	75	57
[8]	[280] 30	[720] 80	[1450] 165	[2180] 245	[2900] 330	[3560] 400	[4230] 480	[4850] 550	[5470] 620	[6010] 680
30	184	182	180	176	171	163	154	138	122	100
[10]	[260] 30	[720] 80	[1480] 165	[2220] 250	[2950] 335	[3610] 410	[4290] 485	[4920] 555	[5560] 630	[6160] 695
38	232	229	226	221	216	206	194	182	169	142
[12]	[240] 25	[700] 80	[1450] 165	[2190] 245	[2920] 330	[3590] 405	[4280] 485	[4920] 555	[5570] 630	[6180] 700
45	277	274	272	266	260	250	238	224	209	182
[14]	[220] 25	[680] 75	[1420] 160	[2160] 245	[2890] 325	[3570] 405	[4270] 480	[4920] 555	[5580] 630	[6200] 700
53	321	319	318	311	304	294	282	266	249	222
[16]	[200] 25	[670] 75	[1400] 160	[2130] 240	[2860] 320	[3550] 400	[4260] 480	[4900] 555	[5550] 630	[6220] 705
61	366	364	362	356	348	338	326	308	289	262
[18]	[180] 20	[650] 75	[1360] 155	[2100] 235	[2830] 320	[3530] 400	[4250] 480	[4910] 555	[5600] 635	[6240] 705
68	410	409	407	401	392	382	370	350	329	302
[20]	[150] 15	[630] 70	[1340] 150	[2070] 235	[2800] 315	[3510] 395	[4240] 480	[4910] 555	[5610] 635	
76	460	458	456	448	440	429	417	396	373	
[22]	[120] 15	[620] 70	[1330] 150	[2060] 235	[2790] 315	[3500] 395	[4220] 475	[4910] 555	[5600] 635	
83	509	506	502	494	484	473	461	438	413	
[25]	[70] 10	[600] 70	[1320] 150	[2050] 230	[2780] 315	[3480] 395	[4210] 475	[4900] 555	[5590] 630	
95	582	578	573	563	552	540	526	501	474	
[30]		[560] 65	[1280] 145	[1990] 225	[2700] 305	[3430] 390	[4210] 450	[4900] 525		
114		693	6							

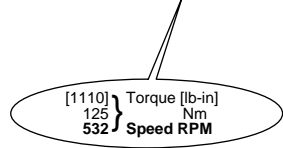
245 cm³/r [15.0 in³/r]
 Δ Pressure Bar [PSI]

Performance Data 4000 Series

	[250] 15	[500] 35	[750] 50	[1000] 70	[1250] 85	[1500] 105	[1750] 120	[2000] 140	[2250] 155	[2500] 170	[2750] 190	[3000] 205	[3250] 225	[3500] 240	[3750] 260
[.5] 1.9	[460] 50 5	[980] 110 2													
[1] 3.8	[480] 55 14	[990] 110 14	[1490] 170 14	[1990] 225 13	[2480] 280 13	[2970] 335 12	[3400] 385 12	[3830] 435 11	[4250] 480 11	[4680] 530 10	[5020] 565 4				
[2] 7.5	[500] 55 30	[1000] 115 30	[1520] 170 29	[2040] 230 29	[2540] 285 28	[3050] 345 27	[3420] 385 26	[3930] 445 24	[4440] 500 23	[4900] 555 22	[5320] 600 20	[5740] 650 18	[6160] 695 16	[6640] 750 14	[7150] 810 11
[4] 15	[510] 60 61	[1030] 115 61	[1560] 175 60	[2080] 235 65	[2600] 295 59	[3130] 355 59	[3630] 410 58	[4130] 465 55	[4630] 525 53	[5120] 580 49	[5570] 630 47	[6030] 680 44	[6480] 730 42	[6870] 775 39	[7340] 830 36
[6] 23	[510] 60 91	[1040] 120 90	[1570] 170 95	[2100] 235 89	[2620] 295 88	[3160] 355 85	[3660] 415 86	[4200] 475 83	[4710] 530 80	[5220] 590 75	[5690] 645 72	[6150] 695 70	[6620] 750 67	[7050] 795 63	[7430] 840 59
[8] 30	[500] 55 121	[1020] 115 121	[1560] 175 120	[2110] 240 119	[2630] 295 118	[3150] 355 117	[3680] 415 115	[4210] 475 113	[4740] 535 111	[5250] 595 106	[5720] 645 103	[6200] 700 99	[6670] 755 96	[7090] 800 91	[7470] 845 87
[10] 38	[470] 55 152	[1000] 115 151	[1540] 175 150	[2100] 235 148	[2620] 295 148	[3150] 355 147	[3690] 415 145	[4230] 480 143	[4770] 540 141	[5290] 600 137	[5760] 650 133	[6240] 705 129	[6710] 760 125	[7140] 805 120	
[12] 45	[450] 50 183	[980] 110 182	[1530] 175 180	[2080] 235 179	[2610] 295 178	[3140] 355 176	[3680] 415 176	[4220] 475 173	[4760] 540 170	[5280] 595 166	[5750] 650 161	[6230] 705 157	[6700] 755 152		
[14] 53	[420] 45 213	[960] 110 212	[1520] 170 211	[2060] 235 210	[2600] 295 209	[3130] 355 208	[3670] 415 206	[4200] 475 203	[4740] 535 200	[5260] 595 195	[5740] 650 190	[6220] 705 185			
[16] 61	[400] 45 244	[950] 105 243	[2040] 170 242	[2580] 230 241	[3120] 290 240	[3660] 355 239	[4190] 415 236	[4730] 475 232	[5250] 535 229	[5730] 595 225	[6210] 700 219	[6700] 750 213			
[18] 68	[380] 45 275	[930] 105 274	[1480] 165 273	[2020] 230 272	[2560] 290 270	[3110] 350 269	[3650] 415 266	[4180] 470 262	[4710] 530 259	[5230] 590 254	[5720] 645 248	[6200] 700 241			
[20] 76	[350] 40 305	[910] 105 305	[1460] 165 304	[2000] 225 303	[2550] 290 302	[3100] 350 300	[3640] 410 296	[4170] 470 292	[4700] 530 288	[5220] 590 283	[5710] 645 276				
[22] 83	[310] 35 337	[870] 100 336	[1420] 160 335	[1970] 225 334	[2500] 280 332	[3050] 345 330	[3590] 405 326	[4140] 465 323	[4680] 530 319	[5200] 590 313	[5680] 640 306				
[25] 95	[260] 30 383	[820] 95 382	[1380] 155 381	[1930] 220 380	[2460] 280 378	[2980] 335 376	[3540] 400 372	[4090] 460 369	[4640] 525 365	[5180] 585 357					
[30] 114		[680] 75 457	[1250] 140 456	[1860] 210 455	[2390] 270 453	[2900] 330 450	[3430] 390 445	[3960] 445 442	[4460] 505 437	[4950] 560 427					
[35] 132			[1110] 125 532	[1740] 195 531	[2270] 255 528	[2790] 315 525	[3340] 375 519	[3910] 440 515	[4400] 495 509						

Motors Run with High Efficiency in All Areas Designated with a Number for Torque and Speed, However for Best Motor Life Select a Motor to Run with a Torque and Speed Range shown in the Light Blue Area.

310 cm³/r [19.0 in³/r]
 Δ Pressure Bar [PSI]



Continuous
Intermittent

	[250] 15	[500] 35	[750] 50	[1000] 70	[1250] 85	[1500] 105	[1750] 120	[2000] 140	[2250] 155	[2500] 170	[2750] 190	[3000] 205	[3250] 225	[3500] 240	[3750] 260
[.5] 1.9	[600] 70 4	[1150] 130 2													
[1] 3.8	[620] 70 11	[1270] 145 11	[1920] 215 11	[2560] 290 10	[3170] 360 10	[3780] 425 10	[4290] 485 9	[4900] 555 9	[5490] 620 8	[6080] 685 8	[6670] 755 8	[7270] 820 7	[7880] 890 7	[8490] 960 6	[9080] 1025 5
[2] 7.5	[630] 70 23	[1280] 145 23	[1940] 220 22	[2590] 295 22	[3230] 365 21	[3830] 435 21	[4450] 505 20	[5070] 575 20	[5680] 640 19	[6300] 710 18	[6910] 780 18	[7530] 850 17	[8160] 920 17	[8790] 995 16	[9420] 1065 15
[4] 15	[640] 70 47	[1290] 145 47	[1960] 220 46	[2640] 300 46	[3290] 370 45	[3940] 445 45	[4600] 520 44	[5240] 590 44	[5880] 665 43	[6510] 735 42	[7150] 800 42	[7790] 880 41	[8450] 950 41	[9100] 1030 40	
[6] 23	[650] 75 71	[1300] 145 71	[1970] 225 70	[2660] 300 70	[3320] 375 69	[4000] 450 69	[4680] 530 68	[5330] 600 67	[5980] 675 66	[6630] 750 64	[7280] 825 64	[7940] 895 63			
[8] 30	[640] 70 96	[1300] 145 96	[1980] 225 95	[2670] 300 95	[3350] 380 94	[4030] 455 94	[4710] 530 93	[5360] 605 92	[6020] 680 91	[6670] 755 89	[7320] 825 88				
[10] 38	[620] 70 121	[1280] 145 120	[1970] 225 120	[2660] 300 119	[3340] 375 119	[4070] 460 118	[4740] 535 117	[5390] 610 116	[6050] 685 115	[6710] 760 112	[7370] 835 109				
[12] 45	[600] 70 145	[1260] 140 144	[1940] 220 144	[2630] 295 143	[3340] 375 142	[4040] 455 142	[4730] 535 141	[5390] 610 140	[6060] 685 139	[6720] 760 135					
[14] 53	[570] 65 169	[1240] 140 169	[1920] 215 168	[2600] 295 168	[3310] 375 167	[4000] 450 167	[4710] 530 165	[5380] 610 164	[6060] 685 163	[6730] 760 159					
[16] 61	[540] 60 193	[1230] 140 193	[1900] 215 192	[2580] 290 192	[3280] 370 190	[3970] 450 189	[4700] 530 188	[5380] 610 187	[6050] 685 185						
[18] 68	[490] 55 217	[1210] 135 217	[1880] 210 216	[2550] 290 216	[3240] 365 214	[3930] 445 213	[4680] 530 211	[5370] 605 209	[6040] 680 207						
[20] 76	[450] 50 242	[1190] 135 242	[1860] 210 242	[2520] 285 241	[3210] 365 240	[3900] 440 238	[4670] 530 236	[5360] 605 234	[6030] 680 232						
[22] 83	[420] 45 267	[1130] 130 266	[1820] 205 266	[2520] 285 265	[3180] 360 264	[3870] 440 262	[4640] 525 260	[5320] 600 258							
[25] 95	[340] 40 303	[1050] 120 303	[1780] 200 302	[2510] 285 301	[3160] 355 300	[3820] 430 299	[4590] 520 296	[5280] 595 293							
[30] 114		[1010] 115 363	[1700] 190 362	[2420] 275 360	[3100] 350 359	[3720] 420 358	[4500] 510 354	[5140] 580 351							
[35] 132			[1580] 180 422	[2360] 265 420	[2950] 335 419	[3540] 400 418	[4390] 495 413								

Performance Data is Typical at 120 SUS. Actual data may vary slightly from unit to unit in production

395 cm³/r [24.0 in³/r]
 Δ Pressure Bar [PSI]

Performance Data 4000 Series

	[250] 15	[500] 35	[750] 50	[1000] 70	[1250] 85	[1500] 105	[1750] 120	[2000] 140	[2250] 155	[2500] 170	[2750] 190	[3000] 205	[3250] 225	[3500] 240
[.5]	[700] 80	[1340] 150												
1.9	4	2												
[1]	[750] 85	[1430] 160	[2110] 240	[2770] 315	[3460] 390	[4170] 470	[4890] 550	[5610] 635	[6310] 715	[7010] 790	[7700] 870			
3.8	9	9	8	8	8	7	7	7	5	4	2			
[2]	[800] 90	[1500] 170	[2290] 260	[3030] 340	[3850] 435	[4620] 520	[5310] 600	[6000] 680	[6750] 765	[7490] 845	[8240] 930	[8990] 1015	[9730] 1100	[10470] 1185
7.5	18	18	17	16	16	15	15	14	13	13	12	11	10	8
[4]	[860] 95	[1630] 185	[2470] 280	[3310] 375	[4120] 465	[4900] 555	[5640] 635	[6390] 720	[7190] 810	[7890] 890	[8780] 990			
15	38	38	37	36	36	35	35	34	34	33	32			
[6]	[860] 95	[1690] 190	[2540] 285	[3410] 385	[4180] 470	[4980] 565	[5780] 655	[6580] 745	[7400] 835	[8220] 930				
23	57	57	56	55	54	53	52	50	49	47				
[8]	[840] 95	[1680] 190	[2550] 290	[3400] 385	[4260] 480	[5090] 575	[5870] 665	[6650] 750	[7480] 845					
30	76	76	75	74	73	72	70	68	66					
[10]	[800] 90	[1680] 190	[2550] 290	[3400] 385	[4260] 480	[5100] 575	[5920] 670	[6730] 760	[7560] 855					
38	95	95	94	93	92	91	89	86	84					
[12]	[760] 85	[1660] 190	[2520] 285	[3380] 380	[4270] 480	[5110] 575	[5900] 665	[6690] 755						
45	114	114	113	112	111	110	108	105						
[14]	[740] 85	[1640] 185	[2490] 280	[3370] 380	[4260] 480	[5100] 575	[5880] 665	[6650] 750						
53	133	133	132	131	130	129	127	124						
[16]	[710] 80	[1620] 185	[2460] 280	[3350] 380	[4240] 480	[5080] 575	[5840] 660							
61	153	153	152	151	149	147	145							
[18]	[680] 75	[1600] 180	[2430] 275	[3340] 375	[4220] 475	[5060] 570	[5810] 655							
68	172	172	171	170	168	166	164							
[20]	[610] 70	[1580] 180	[2400] 270	[3320] 375	[4210] 475	[5040] 570	[5780] 655							
76	192	191	190	189	187	185	183							
[22]	[570] 65	[1490] 170	[2340] 265	[3220] 365	[4160] 470	[5010] 565	[5740] 650							
83	211	210	209	208	206	204	201							
[25]	[490] 55	[1350] 155	[2250] 255	[3080] 350	[4070] 460	[4960] 560	[5700] 645							
95	239	238	237	236	235	233	230							
[30]		[1080] 120	[1650] 185	[2270] 255	[3020] 340	[3850] 435								
114		285	284	282	281	279								
[35]			[1520] 170	[2120] 240	[2870] 325	[3760] 425								
132			331	330	328	325								
[40]				[2050] 230	[2790] 315	[3620] 410								
151				376	374	371								

Motors Run with High Efficiency in All Areas Designated with a Number for Torque and Speed, However for Best Motor Life Select a Motor to Run with a Torque and Speed Range shown in the Light Blue Area.

[2050]
230
376 } Torque [lb-in]
 } Nm
 } Speed RPM

Continuous
Intermittent

495 cm³/r [30.0 in³/r]
 Δ Pressure Bar [PSI]

	[250] 15	[500] 35	[750] 50	[1000] 70	[1250] 85	[1500] 105	[1750] 120	[2000] 140	[2250] 155	[2500] 170
[.5]	[800] 90	[1750] 200								
1.9	3	1								
[1]	[880] 100	[1875] 210	[2875] 325	[3825] 430	[4775] 540	[5720] 645	[6670] 755	[7600] 860		
3.8	7	6	6	5	4	3	2	1		
[2]	[905] 100	[1940] 220	[2975] 335	[3990] 450	[5010] 565	[6010] 680	[7010] 790	[8000] 905	[8980] 1015	
7.5	18	17	17	16	15	12	11	10	8	
[4]	[935] 105	[2005] 225	[3075] 345	[4160] 470	[5245] 595	[6300] 710	[7355] 830	[8375] 945	[9400] 1060	[10350] 1170
15	30	29	28	27	26	23	21	19	17	14
[6]	[920] 105	[2010] 225	[3100] 350	[4185] 475	[5265] 595	[6345] 715	[7420] 840	[8445] 955	[9465] 1070	
23	45	44	43	42	40	37	35	32	30	
[8]	[905] 100	[2015] 230	[3125] 355	[4205] 475	[5290] 600	[6385] 720	[7485] 845	[8510] 960		
30	61	60	59	57	55	52	49	46		
[10]	[880] 100	[1995] 225	[3095] 350	[4205] 475	[5295] 600	[6390] 720	[7480] 845	[8525] 960		
38	76	75	74	72	70	66	63	59		
[12]	[860] 95	[1975] 225	[3095] 350	[4200] 475	[5305] 600	[6390] 720	[7475] 845			
45	91	90	89	87	85	81	77			
[14]	[830] 95	[1945] 220	[3055] 345	[4165] 470	[5275] 595	[6360] 720	[7445] 840			
53	106	105	104	102	100	96	92			
[16]	[805] 90	[1910] 215	[3020] 340	[4130] 465	[5245] 595	[6330] 715	[7420] 840			
61	122	120	119	117	115	111	107			
[18]	[740] 85	[1860] 210	[2980] 335	[4105] 465	[5235] 590	[6305] 715	[7380] 835			
68	137	136	134	132	130	125	121			
[20]	[680] 75	[1810] 205	[2940] 330	[4085] 460	[5225] 590	[6285] 710				
76	153	152	150	147	145	140				
[25]	[570] 65	[1665] 190	[2800] 315	[4005] 455	[5210] 590	[6135] 695				
95	191	189	187	184	182	177				
[30]		[1520] 170	[2645] 300	[3765] 425	[4885] 550	[5985] 675				
114		228	226	223	220	215				
[35]			[2400] 270	[3510] 395						
132			265	263						
[40]				[2155] 245	[3260] 370					
151				305	303					

Performance Data is Typical at 120 SUS. Actual data may vary slightly from unit to unit in production

Performance Data 4000 Series

625 cm³/r [38.0 in³/r]
Δ Pressure Bar [PSI]

	[250] 15	[500] 35	[750] 50	[1000] 70	[1250] 85	[1500] 105	[1600] 100	[1700] 115	[1800] 125	[2000] 140
[5] 1.9	[1000] 115 2									
[1] 3.8	[1080] 120 5	[2340] 265 5	[3600] 405 5	[4850] 550 4	[6100] 690 4	[7350] 830 3	[7820] 885 3	[8290] 935 2	[8760] 990 2	
[2] 7.5	[1085] 125 14	[2380] 270 14	[3675] 415 14	[5010] 565 13	[6350] 715 12	[7625] 860 11	[8115] 915 10	[8605] 970 9	[9095] 1030 8	[10075] 1140 7
[4] 15	[1090] 125 23	[2420] 275 23	[3750] 425 23	[5175] 585 22	[6600] 745 21	[7900] 895 19	[8410] 950 18	[9000] 1015 17	[9590] 1085 16	[10450] 1180 14
[6] 23	[1095] 125 35	[2460] 280 35	[3825] 430 35	[5220] 590 34	[6620] 750 33	[7950] 900 31	[8430] 950 30	[8910] 1005 29	[9490] 1070 28	
[8] 30	[1100] 125 48	[2500] 280 48	[3900] 440 47	[5270] 595 46	[6640] 750 45	[7990] 905 43	[8460] 955 43	[8925] 1010 42		
[10] 38	[1130] 130 60	[2550] 290 60	[3975] 450 59	[5320] 600 58	[6670] 755 57	[8045] 910 54	[8595] 970 53	[9150] 1035 52		
[12] 45	[1160] 130 72	[2600] 295 72	[4050] 460 71	[5375] 605 70	[6700] 755 69	[8100] 915 65	[8660] 980 64			
[14] 53	[1105] 125 84	[2535] 285 84	[3965] 450 83	[5325] 600 82	[6685] 755 81	[8065] 910 77	[8620] 975 76			
[16] 61	[1050] 120 96	[2465] 280 95	[3880] 440 95	[5275] 595 94	[6670] 755 93	[8035] 910 89	[8580] 970 88			
[18] 68	[990] 110 108	[2405] 270 107	[3825] 430 107	[5240] 590 105	[6655] 750 104	[7345] 830 100				
[20] 76	[930] 105 121	[2350] 265 120	[3770] 425 120	[5205] 590 118	[6640] 750 116					
[25] 95	[750] 85 151	[2175] 245 150	[3600] 405 149	[5000] 565 147	[6400] 725 146					
[30] 114	[550] 60 181	[1975] 225 180	[3400] 385 179	[4800] 530 177	[6200] 700 176					
[35] 132			[3125] 355 210	[4545] 515 208						
[40] 151			[2850] 320 241	[4295] 485 239						

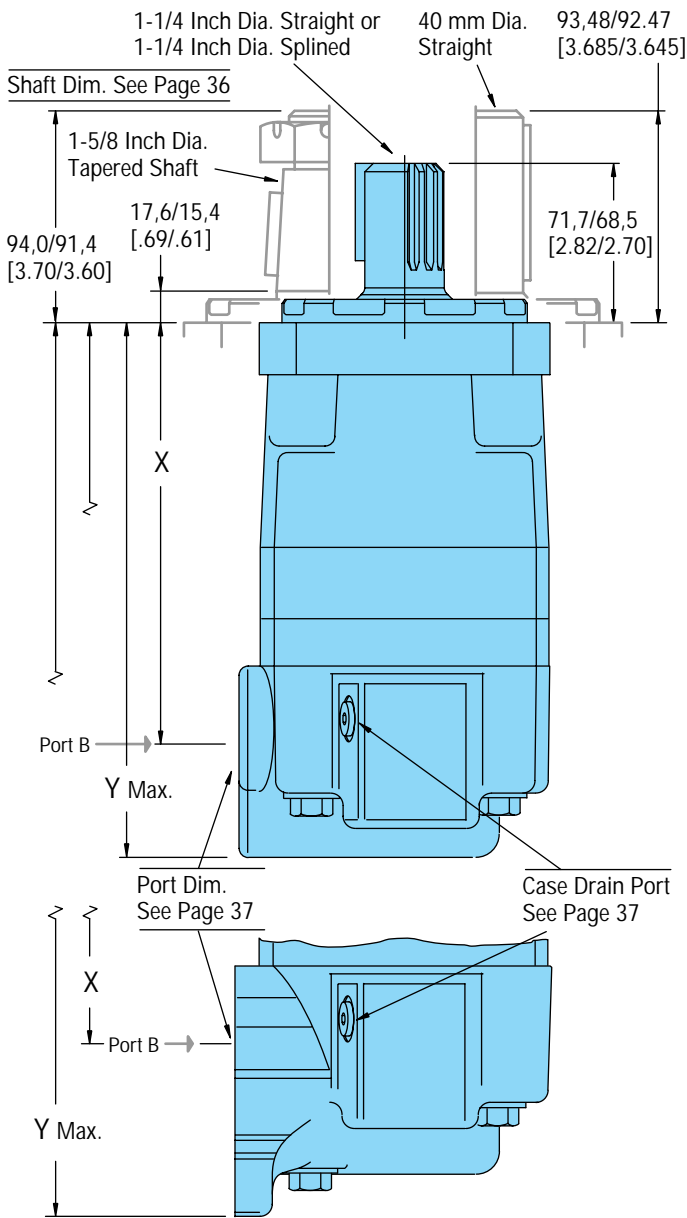
Motors Run with High Efficiency in All Areas Designated with a Number for Torque and Speed, However for Best Motor Life Select a Motor to Run with a Torque and Speed Range shown in the Light Blue Area.

[2850]
320 } Torque [lb-in]
241 } N·m
Speed RPM

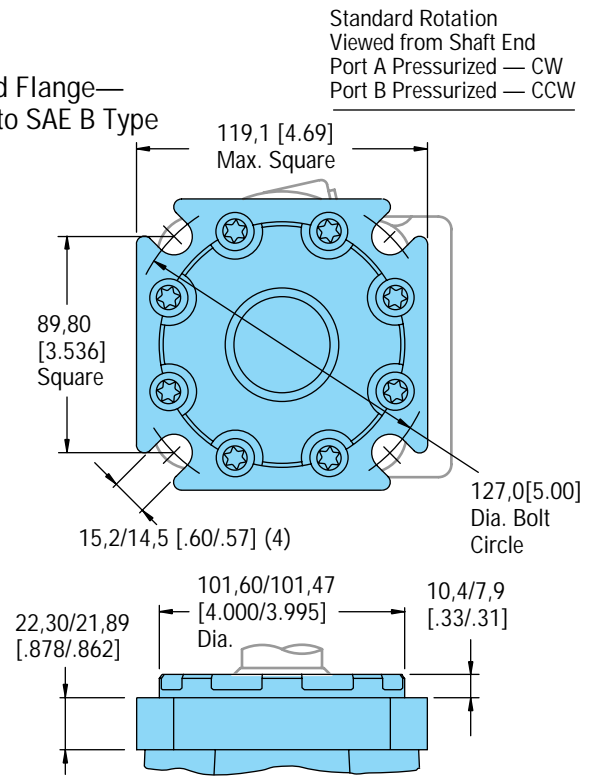
Light Blue: Continuous
Dark Blue: Intermittent

Performance Data is Typical at 120 SUS. Actual data may vary slightly from unit to unit in production

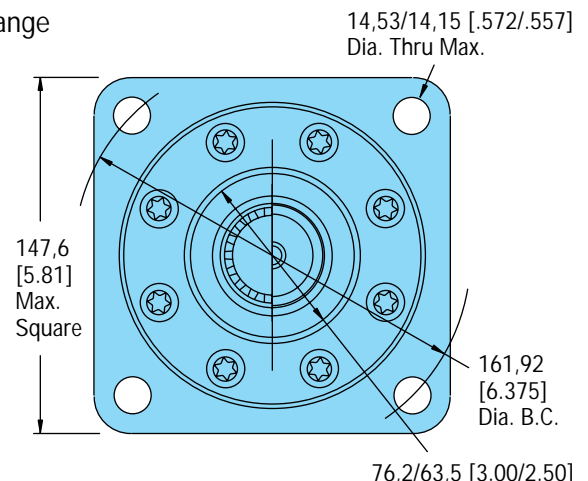
Dimensions — 4000 Series Standard Motor



Standard Flange—
Similar to SAE B Type



SAE C Flange

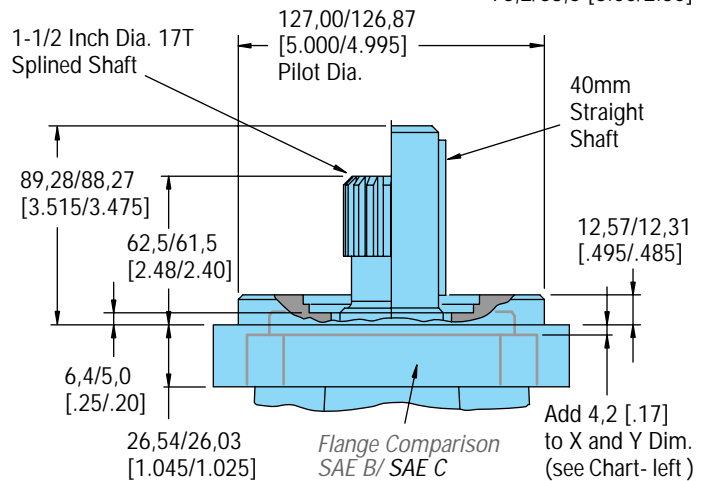


4000 Series Standard Motor with 1-1/16-12 O-ring Ports or G 3/4 (BSP) Ports

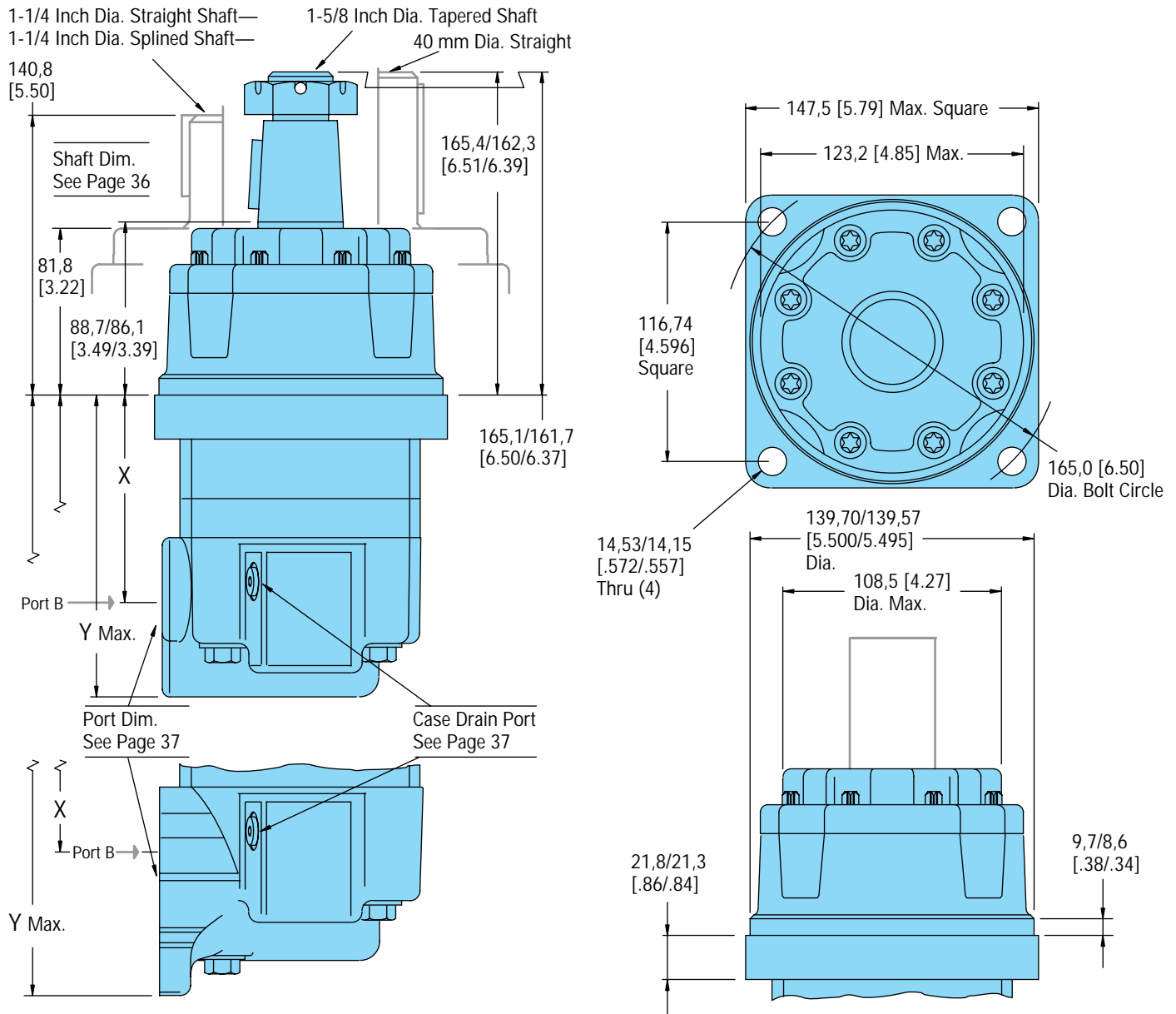
Displ. cm ³ /r [in ³ /r]	110 [6.7]	130 [7.9]	160 [9.9]	205 [12.5]	245 [15.0]	310 [19.0]	395 [24.0]	495 [30.0]	625 [38.0]
X Dim. mm [inch]	158,3 [6.23]	162,3 [6.39]	168,7 [6.64]	177,2 [6.98]	168,7 [6.64]	177,2 [6.98]	187,9 [7.40]	200,7 [7.91]	217,8 [8.58]
Y Dim. mm [inch]	214,4 [8.44]	218,4 [8.60]	224,7 [8.85]	233,2 [9.18]	224,7 [8.85]	233,2 [9.18]	243,9 [9.60]	256,8 [10.11]	273,9 [10.78]

4000 Series Standard Motor with 3/4 inch Split Flange Ports

X Dim. mm [inch]	166,7 [6.57]	170,8 [6.73]	177,1 [6.97]	185,6 [7.31]	177,1 [6.97]	185,6 [7.31]	196,3 [7.73]	209,2 [8.24]	226,2 [8.91]
Y Dim. mm [inch]	246,3 [9.70]	250,4 [9.86]	256,7 [10.11]	265,2 [10.44]	256,7 [10.11]	265,2 [10.44]	275,9 [10.86]	288,8 [11.37]	305,9 [12.04]



Dimensions — 4000 Series Wheel Motor



4000 Series Wheel Motor with 1-1/16-12 O-ring Ports or G 3/4 (BSP) Ports

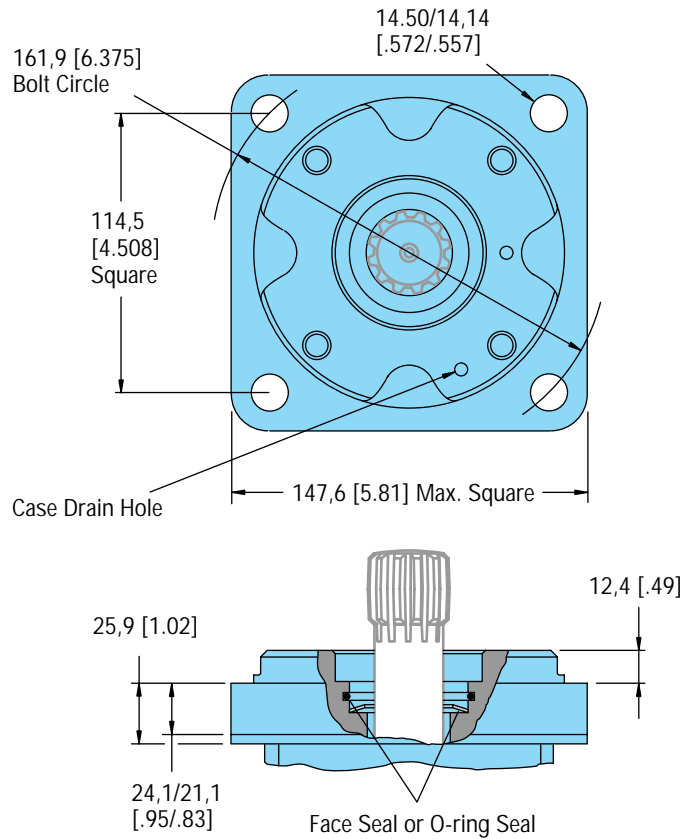
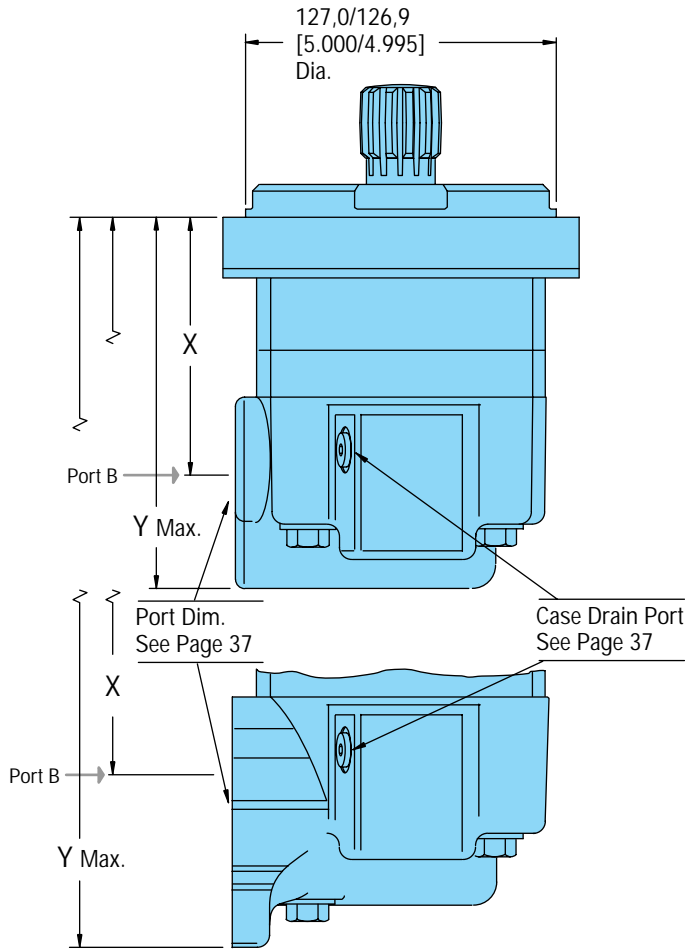
Displ. cm ³ /r [in ³ /r]	110 [6.7]	130 [7.9]	160 [9.9]	205 [12.5]	245 [15.0]	310 [19.0]	395 [24.0]	495 [30.0]	625 [38.0]
X Dim. mm [inch]	87,4 [3.45]	91,5 [3.60]	97,8 [3.85]	106,3 [4.19]	97,8 [3.85]	106,3 [4.19]	117,0 [4.61]	129,9 [5.12]	147,0 [5.79]
Y Dim. mm [inch]	143,3 [5.64]	147,3 [5.80]	153,6 [6.05]	162,2 [6.38]	153,6 [6.05]	162,2 [6.38]	172,8 [6.80]	185,8 [7.31]	202,8 [7.98]

4000 Series Wheel Motor with 3/4 inch Split Flange Ports

X Dim. mm [inch]	95,1 [3.75]	99,1 [3.91]	105,5 [4.16]	114,0 [4.49]	105,5 [4.16]	114,0 [4.49]	124,7 [4.91]	137,6 [5.42]	154,6 [6.09]
Y Dim. mm [inch]	174,5 [6.87]	178,5 [7.03]	184,9 [7.28]	193,4 [7.61]	184,9 [7.28]	193,4 [7.61]	204,1 [8.03]	217,0 [8.54]	234,0 [9.21]

Standard Rotation
Viewed from Shaft End
Port A Pressurized — CW
Port B Pressurized — CCW

Dimensions — 4000 Series Bearingless Motor



Standard Rotation
Viewed from Drive End
Port A Pressurized — CW
Port B Pressurized — CCW

4000 Series Bearingless Motor with 1-1/16-12 O-ring Ports or G 3/4 (BSP) Ports

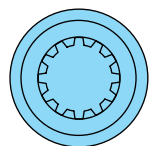
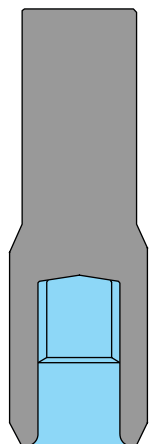
Displ. cm ³ /r [in ³ /r]	110 [6.7]	130 [7.9]	160 [9.9]	205 [12.5]	245 [15.0]	310 [19.0]	395 [24.0]	495 [30.0]	625 [38.0]
X Dim. mm [inch]	91,0 [3.59]	95,1 [3.75]	101,4 [4.00]	109,9 [4.33]	101,4 [4.00]	109,9 [4.33]	120,6 [4.75]	133,5 [5.26]	150,5 [5.93]
Y Dim. mm [inch]	146,8 [5.78]	150,8 [5.94]	157,1 [6.19]	165,7 [6.52]	157,1 [6.19]	165,7 [6.52]	176,3 [6.94]	189,2 [7.45]	206,3 [8.12]

4000 Series Bearingless Motor with 3/4 inch Split Flange Ports

X Dim. mm [inch]	99,4 [3.92]	103,5 [4.08]	109,8 [4.33]	118,3 [4.66]	109,8 [4.33]	118,3 [4.66]	129,0 [5.08]	141,9 [5.59]	159,0 [6.26]
Y Dim. mm [inch]	178,7 [7.04]	182,8 [7.20]	189,1 [7.44]	197,6 [7.78]	189,1 [7.44]	197,6 [7.78]	208,3 [8.20]	221,2 [8.71]	238,3 [9.38]

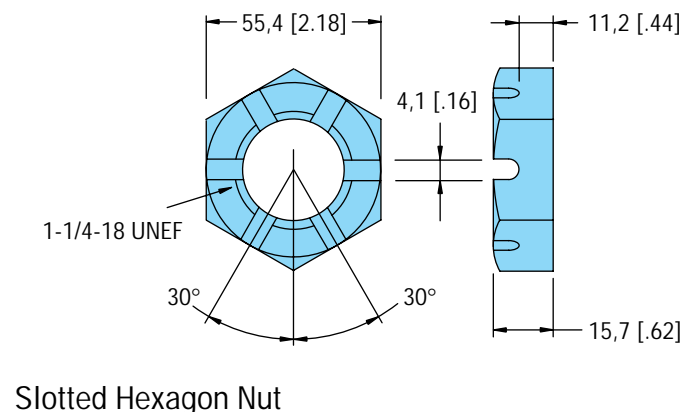
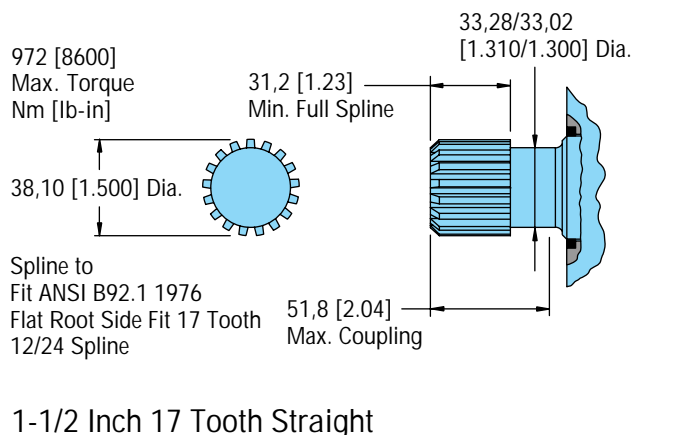
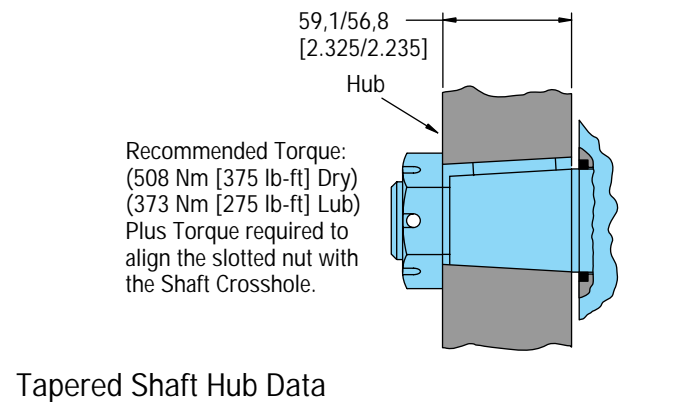
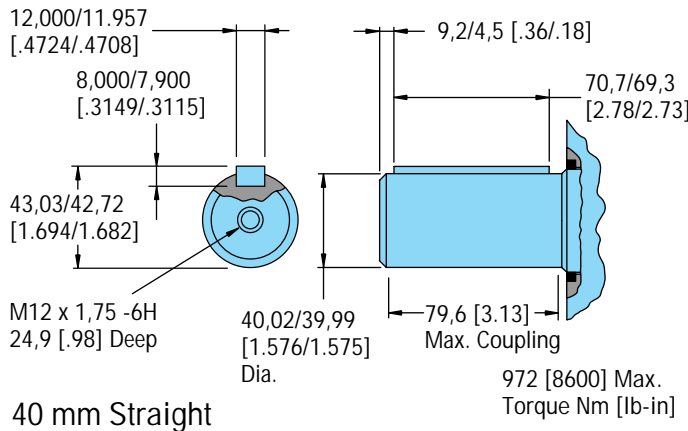
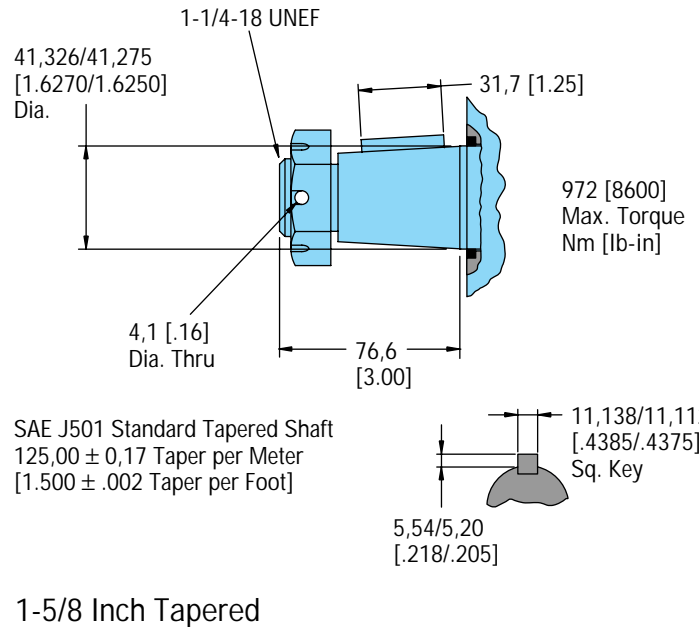
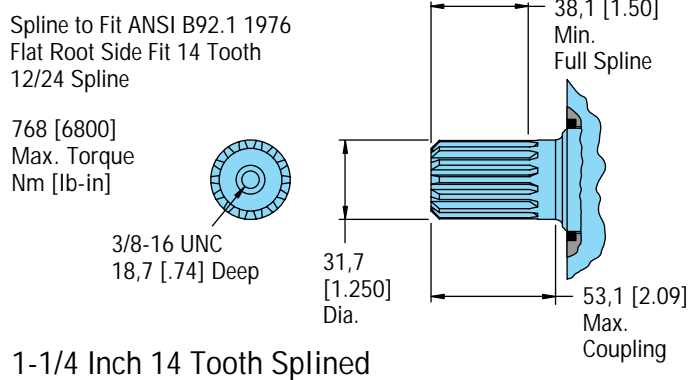
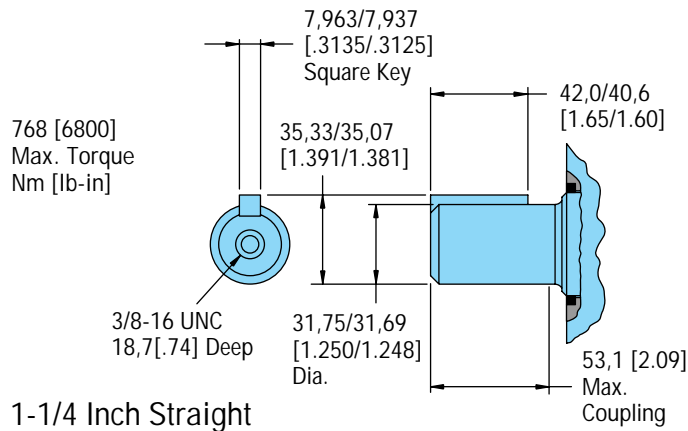
For 4000 Series Bearingless Motor Application Information Contact Your Eaton Representative (Mating Coupling Blanks Available from Eaton Corporation).

Note: After Machining Blank, Part Must be Hardend Per Eaton Specification.

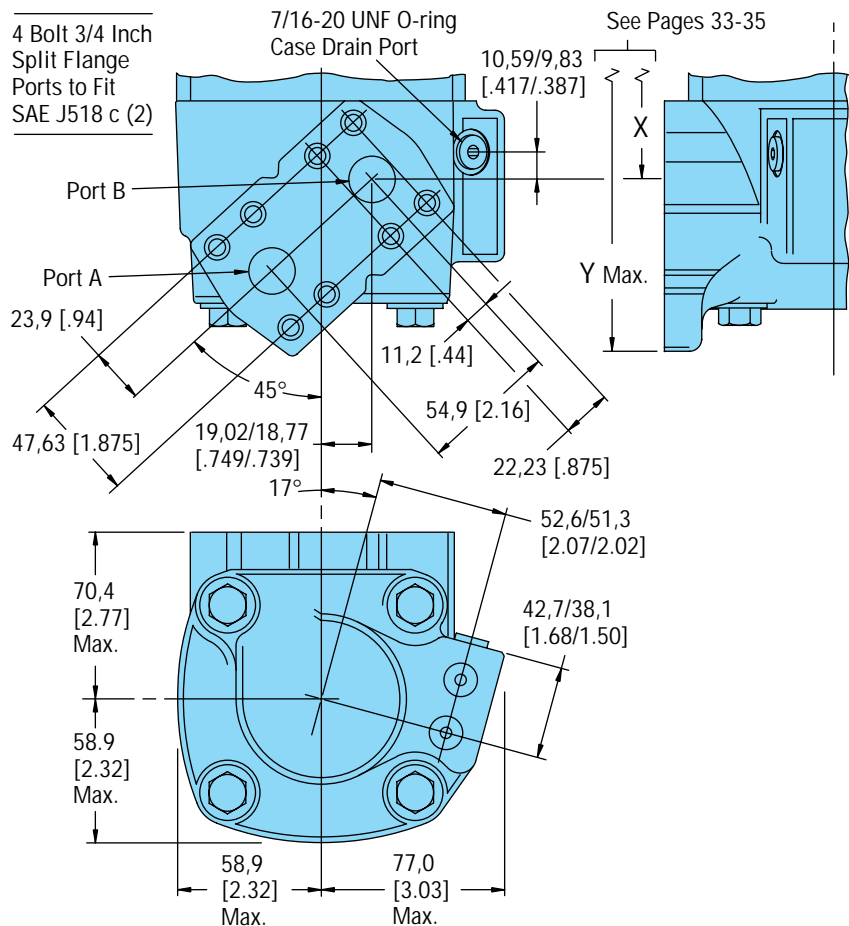
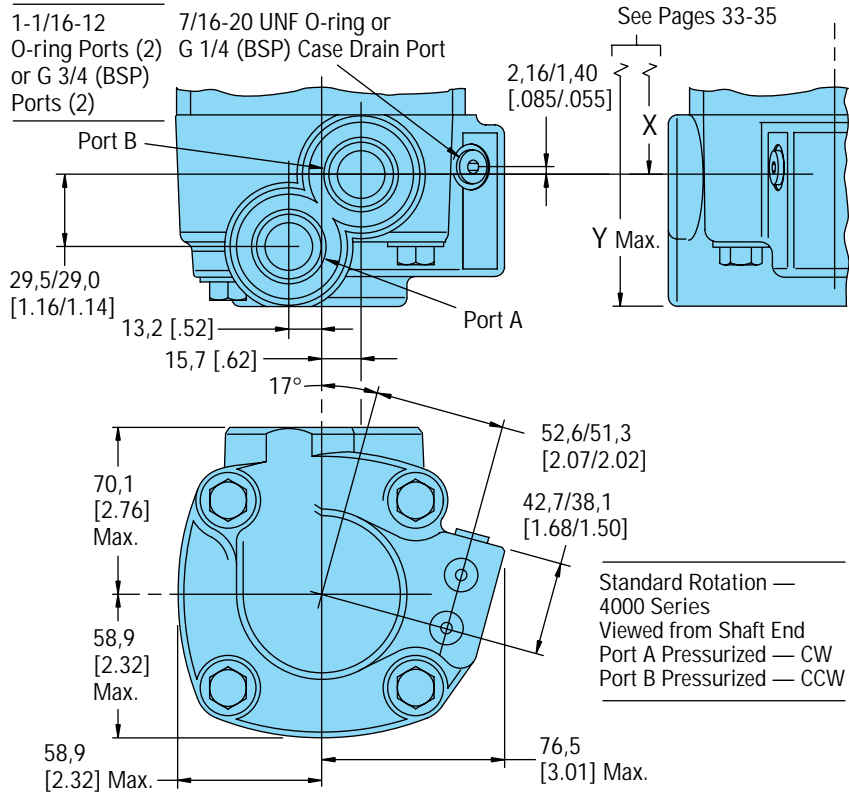


Mating Coupling Blank
Eaton Part No. 12745-003

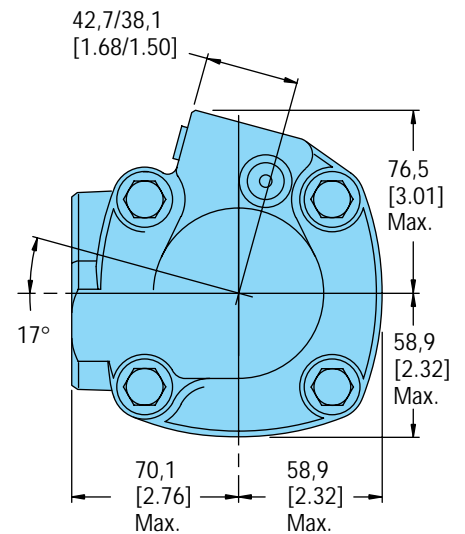
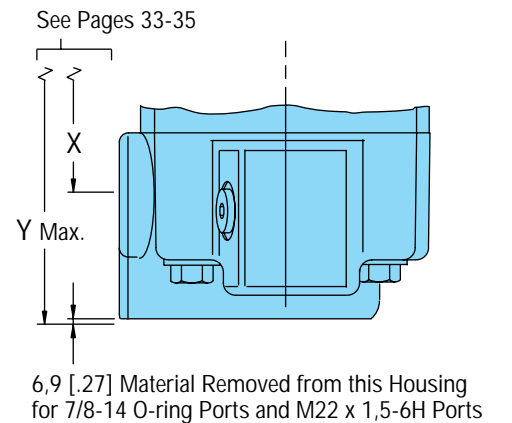
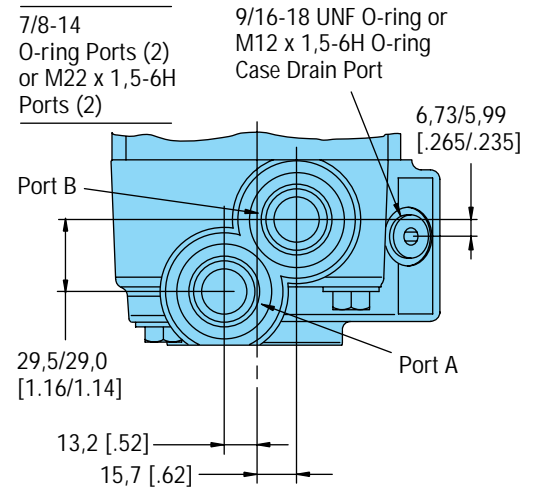
Dimensions — Shafts 4000 Series



Dimensions — Ports 4000 Series



4000 Series with Shuttle Valve



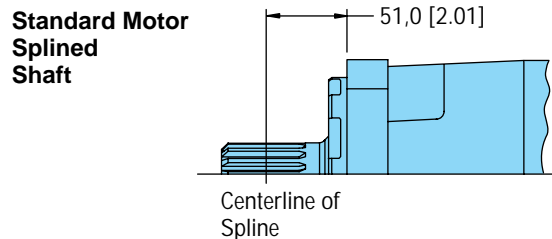
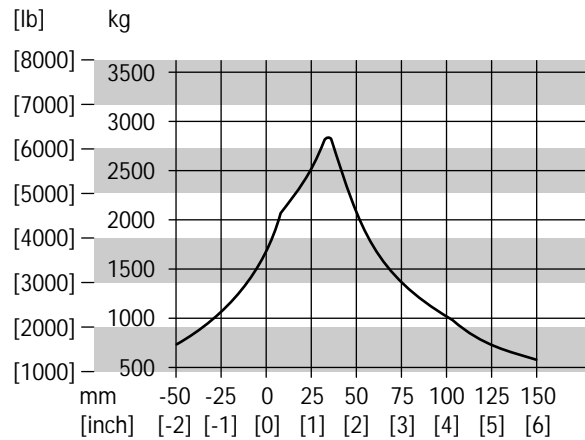
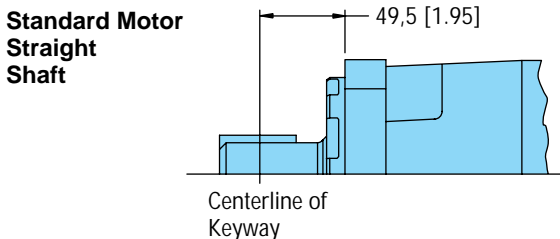
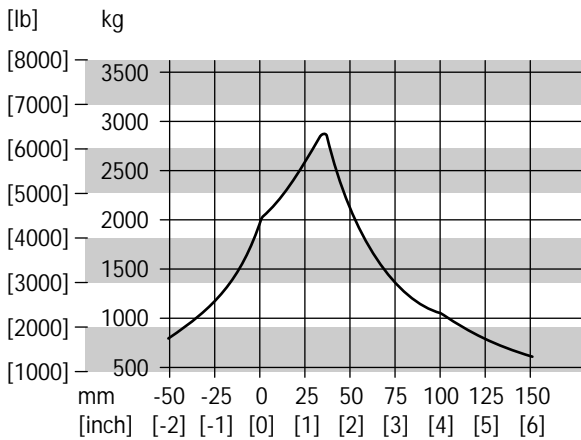
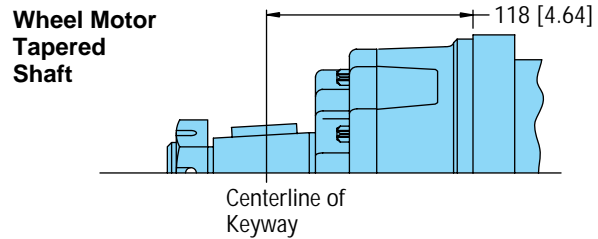
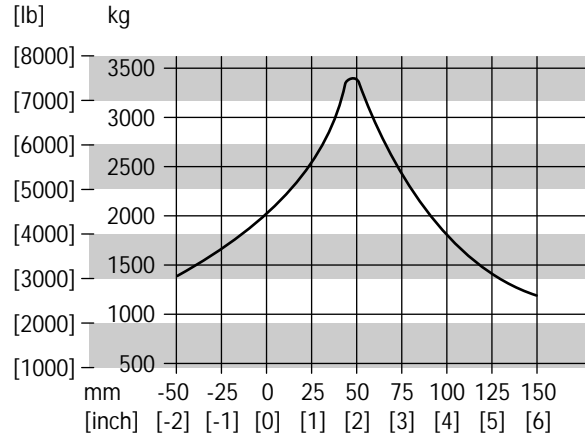
Shaft Side Load Capacity 4000 Series

These curves indicate the radial load capacity on the motor shaft(s) at various locations.

The curve is based on B 10 Bearing life (2000 hours or 12,000,000 shaft revolutions at 100 RPM) at rated output torque. To determine radial load at speeds other than 100 RPM, multiply the load values given on the bearing curve by the factors in the chart below.

RPM	Multiplication Factor
50	1.23
100	1.00
200	.81
300	.72
400	.66
500	.62
600	.58
700	.56
800	.54

For 3,000,000 Shaft revolutions or 500 hours — Increase these shaft loads 52%.

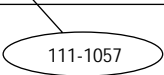


Product Numbers 4000 Series

Product Numbers—4000 Series Motors

Use digit prefix —109-, 110-, or 111- plus four digit number from charts for complete product number—Example 111-1057.
Orders will not be accepted without three digit prefix.

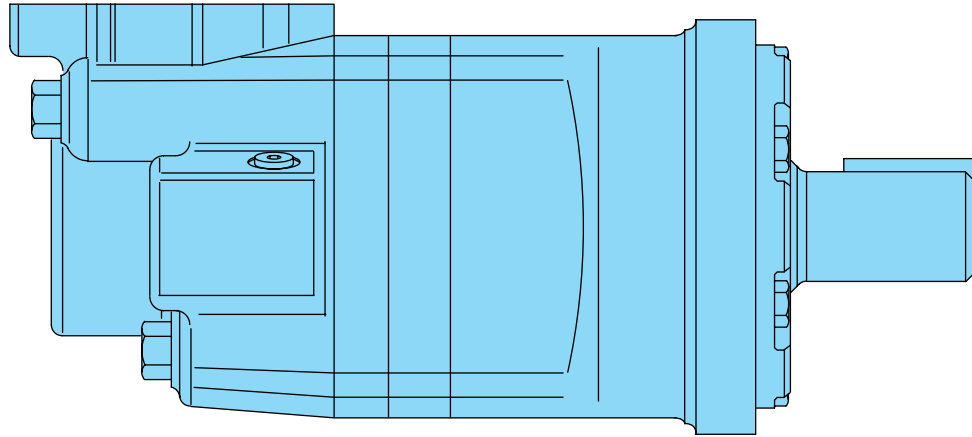
Mounting	Shaft	Ports	Displ. cm ³ /r [in ³ /r] Product Number								
			110 [6.7]	130 [7.9]	160 [9.9]	205 [12.5]	245 [15.0]	310 [19.0]	395 [24.0]	495 [30.0]	625 [38.0]
Standard SAE B-Mount	1-1/4 inch Straight	1-1/16 O-ring	109-1100	-1101	-1102	-1103	-1104	-1105	-1106	-1212	-1215
		3/4 inch Split Flange	109-1001	-1054	-1002	-1003	-1055	-1056	-1057	—	—
	1-5/8 Inch Tapered	1-1/16 O-ring	109-1107	-1108	-1109	-1110	-1111	-1112	-1113	—	—
		3/4 inch Split Flange	109-1006	-1058	-1007	-1008	-1059	-1060	-1061	—	—
	1-1/4 Inch 14 T Splined	1-1/16 O-ring	109-1114	-1115	-1116	-1117	-1118	-1119	-1120	—	—
		3/4 inch Split Flange	109-1011	-1062	-1012	-1013	-1063	-1064	-1065	—	—
Standard SAE C-Mount	40 mm Straight	G 3/4 (BSP)	109-1184	-1185	-1227	-1224	-1225	-1189	-1190	—	—
	1-1/2 Inch 17 T Splined	G 3/4 (BSP)	109-1191	-1192	-1193	-1194	-1195	-1196	-1197	—	—
	1-1/4 inch Straight	1-1/16 O-ring	110-1074	-1075	-1076	-1077	-1078	-1079	-1080	—	-1122
3/4 inch Split Flange		110-1001	-1040	-1002	-1003	-1041	-1042	-1043	—	—	
Wheel Motor	40 mm Straight	G 3/4 (BSP)	110-1108	-1109	-1110	-1111	-1112	-1113	-1125	—	—
	1-5/8 Inch Tapered	1-1/16 O-ring	110-1081	-1082	-1083	-1084	-1085	-1086	-1087	1116	-1117
		3/4 inch Split Flange	110-1006	-1044	-1007	-1008	-1045	-1046	-1047	—	—
	1-1/4 Inch 14 T Splined	1-1/16 O-ring	110-1088	-1089	-1090	-1091	-1092	-1093	-1094	—	—
		3/4 inch Split Flange	110-1011	-1048	-1012	-1013	-1049	-1050	-1051	—	—
	Bearingless		1-1/16 O-ring	111-1033	-1034	-1035	-1036	-1037	-1038	-1039	-1062
3/4 inch Split Flange			111-1044	-1015	-1045	-1046	-1016	-1017	-1018	—	—
G 3/4 (BSP)			111-1052	-1053	-1054	-1055	-1056	-1057	-1058	—	—



For 4000 Series Motors with a configuration *Not Shown* in the charts above: Use model code number system on page 73 to specify product in detail.

Specifications

6000 Series



Specification Data—6000 Series

Displ. cm ³ /r [in ³ /r]		195 [11.9]	245 [15.0]	310 [19.0]	390 [23.9]	490 [30.0]	625 [38.0]	985 [60.0]	
Max. Speed (RPM) @ Flow	Continuous	775	615	485	387	307	241	153	
	Intermittent	866	834	698	570	454	355	230	
Flow LPM [GPM]	Continuous	150 [40]	150 [40]	150 [40]	150 [40]	150 [40]	150 [40]	150 [40]	
	Intermittent	170 [45]	210 [55]	225 [60]	225 [60]	225 [60]	225 [60]	225 [60]	
Torque Nm [lb-in]	★ 1-3/4 Inch Dia. Tapered Shaft	Continuous	575 [5100]	735 [6510]	930 [8230]	1155 [10230]	1445 [12800]	1480 [13100]	1685 [14920]
		Intermittent	860 [7620]	1100 [9740]	1355 [11990]	1635 [14490]	1885 [16670]	1898 [16800]	1875 [16580]
Pressure Δ Bar [Δ PSI]	★ 1-3/4 Inch Dia. Tapered Shaft	Continuous	205 [3000]	205 [3000]	205 [3000]	205 [3000]	205 [3000]	170 [2500]	140 [2000]
		Intermittent	310 [4500]	310 [4500]	310 [4500]	310 [4500]	275 [4000]	221 [3200]	140 [2000]
		Peak	310 [4500]	310 [4500]	310 [4500]	310 [4500]	310 [4500]	240 [3500]	170 [2250]

Maximum Case Pressure - without Case Drain * — 70 Bar [1000 PSI]

A simultaneous maximum torque and maximum speed NOT recommended. For permissible continuous and intermittent operating combinations of pressure and flow refer to performance data on pages 41-42.

★ Maximum torque for 1-1/2 inch shaft — 1325 Nm [11750 lb-in] Continuous and 1650 Nm [14600 lb-in] intermittent.

* For continuous back pressure over 70 Bar [1000 PSI] use an external case drain. Install case drain lines so that the motor case remains filled at all times.

Maximum inlet pressure — 310 Bar [4500 PSI]. Do not exceed Δ pressure rating (see chart above)

* Maximum return pressure — 310 Bar [4500 PSI]. Do not exceed Δ pressure rating (see chart above)

Δ Bar [Δ PSI] — True pressure difference between inlet port and outlet port.

Continuous Rating — Motor may be run continuously at these ratings.

Intermittent Operation — 10% of every minute.

Peak Operation — 1% of every minute.

Recommended Fluids — Premium quality, anti-wear type hydraulic oil with a viscosity of not less than 70 SUS at operating temperature (see page 69).

Recommended Maximum System Operating Temp. — Is 82° C [180° F]

Recommended Filtration — per ISO Cleanliness Code, level 18/13

To assure best motor life, run motor for approximately one hour at 30% of rated pressure before application to full load. Be sure motor is filled with fluid prior to any load applications.

Performance

Data 6000 Series

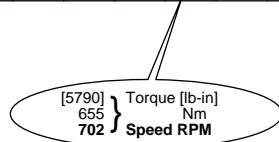
195 cm³/r [11.9 in³/r]
Δ Pressure Bar [PSI]

245 cm³/r [15.0 in³/r]
Δ Pressure Bar [PSI]

	[250] 15	[500] 35	[1000] 70	[1500] 105	[2000] 140	[2500] 170	[3000] 205	[3500] 240	[4000] 275	[4500] 310
[.5]	[280] 30	[650] 75	[1450] 165	[2290] 260						
1.9	9	7	5							
[2]	[290] 35	[680] 75	[1500] 170	[2340] 265	[3100] 350	[3880] 440	[4140] 470			
7.5	38	37	34	30	26	18				
[4]	[300] 35	[710] 80	[1500] 175	[2390] 270	[3210] 365	[4030] 455	[4600] 520	[5200] 590	[5790] 655	
15	77	76	74	72	66	62	46	32	18	
[8]	[310] 35	[740] 85	[1590] 180	[2450] 275	[3280] 370	[4120] 465	[4810] 545	[5530] 625	[6250] 705	[6900] 780
30	154	153	148	144	131	119	116	99	83	65
[12]	[320] 35	[750] 85	[1610] 180	[2480] 280	[3330] 375	[4190] 475	[4990] 565	[5810] 655	[6630] 750	[7320] 825
45	232	230	225	221	212	203	186	167	148	118
[16]	[300] 35	[730] 80	[1600] 180	[2470] 280	[3340] 375	[4210] 475	[5090] 575	[5900] 665	[6710] 760	[7470] 845
61	309	307	303	300	291	283	258	236	214	181
[20]	[270] 30	[720] 80	[1590] 180	[2460] 280	[3350] 380	[4240] 480	[5100] 575	[5950] 670	[6800] 770	[7620] 860
76	387	384	379	374	365	356	332	306	280	247
[24]	[240] 25	[700] 80	[1570] 175	[2440] 275	[3330] 375	[4220] 475	[5080] 575	[5940] 670	[6810] 770	
91	465	462	456	450	440	429	413	388	363	
[28]	[190] 20	[660] 75	[1530] 175	[2400] 270	[3300] 375	[4200] 475	[5060] 570	[5940] 670	[6810] 770	
106	542	539	532	526	514	502	476	448	421	
[32]	[160] 20	[630] 70	[1500] 170	[2370] 270	[3270] 370	[4160] 470	[5040] 570	[5920] 670	[6790] 765	
121	620	617	609	602	589	576	542	511	480	
[36]	[120] 15	[620] 70	[1480] 165	[2350] 265	[3240] 365	[4130] 465	[5000] 565	[5880] 665	[6760] 765	
136	697	692	683	674	659	645	601	564	527	
[40]	[80] 10	[610] 70	[1450] 165	[2320] 260	[3210] 365	[4100] 465	[4960] 560	[5840] 660		
151	775	770	759	749	733	718	666	624		
[45]		[590] 65	[1410] 160	[2280] 260	[3170] 360	[4060] 460	[4920] 555	[5790] 655		
170		866	854	843	825	808	749	702		

	[250] 15	[500] 35	[1000] 70	[1500] 105	[2000] 140	[2500] 170	[3000] 205	[3500] 240	[4000] 275	[4500] 310
[.5]	[430] 50	[860] 95	[1890] 215							
1.9	7	4	1							
[2]	[440] 50	[900] 100	[1940] 220	[2990] 340	[3960] 445	[4920] 555	[5040] 570	[5930] 670		
7.5	30	29	26	24	21	17		6		
[4]	[460] 50	[940] 105	[2000] 225	[3060] 345	[4080] 460	[5090] 575	[5680] 640	[6630] 750	[7570] 855	[8520] 965
15	61	60	56	54	48	42	39	30	12	6
[8]	[470] 55	[960] 110	[2060] 235	[3150] 355	[4210] 475	[5260] 595	[5800] 650	[6710] 780	[8020] 905	[9020] 1020
30	122	120	116	113	104	95	81	67	53	37
[12]	[480] 55	[970] 110	[2080] 235	[3180] 360	[4270] 480	[5360] 605	[6390] 720	[7420] 840	[8450] 955	[9510] 1075
45	183	182	178	174	165	157	141	125	109	92
[16]	[450] 50	[960] 110	[2070] 235	[3160] 360	[4290] 485	[5420] 610	[6480] 730	[7490] 845	[8480] 960	[9540] 1180
61	245	244	240	236	228	221	202	184	165	145
[20]	[420] 45	[940] 105	[2050] 230	[3120] 355	[4290] 485	[5440] 615	[6510] 735	[7580] 855	[8660] 980	[9740] 1100
76	307	306	301	297	287	277	257	238	218	197
[24]	[380] 45	[920] 105	[2020] 230	[3120] 355	[4260] 480	[5400] 610	[6490] 735	[7590] 860	[8680] 980	
91	368	365	361	358	348	338	316	294	271	
[28]	[330] 35	[870] 100	[1980] 225	[3100] 350	[4240] 480	[5380] 610	[6480] 730	[7580] 855	[8670] 980	
106	430	426	421	416	404	376	358	340	322	
[32]	[290] 35	[800] 90	[1920] 215	[3050] 345	[4170] 470	[5290] 600	[6410] 725	[7520] 850	[8640] 975	
121	491	489	481	475	461	448	423	398	373	
[36]	[250] 30	[730] 80	[1850] 210	[2980] 335	[4060] 460	[5150] 580	[6300] 710	[7440] 840		
136	556	549	543	537	524	509	482	456		
[40]	[200] 25	[690] 80	[1790] 200	[2940] 330	[4010] 455	[5130] 580	[6190] 700	[7100] 800		
151	615	612	606	599	585	570	540	510		
[45]		[570] 65	[1760] 200	[2850] 325	[3960] 445	[5070] 575	[6080] 685	[6690] 755		
170		688	682	674	658	641	608	574		
[50]			[1720] 195	[2800] 315	[3890] 440	[4920] 555	[5940] 670			
189			758	749	731	712	676			
[55]			[1670] 190	[2740] 310	[3820] 430	[4890] 550	[5880] 665			
208			834	824	804	783	744			

Motors Run with High Efficiency in All Areas Designated with a Number for Torque and Speed, However for Best Motor Life and Speed, Select a Motor to Run with a Torque and Speed Range shown in the Light Blue Area.



Continuous
Intermittent

Performance Data is Typical at 120 SUS. Actual data may vary slightly from unit to unit in production

310 cm³/r [19.0 in³/r]
Δ Pressure Bar [PSI]

390 cm³/r [23.9 in³/r]
Δ Pressure Bar [PSI]

	[250] 15	[500] 35	[1000] 70	[1500] 105	[2000] 140	[2500] 170	[3000] 205	[3500] 240	[4000] 275	[4500] 310
[.5]	[530] 60	[1120] 125	[2440] 275							
1.9	6	4	1							
[2]	[540] 60	[1150] 130	[2460] 280	[3620] 410	[4780] 540	[5690] 645	[6670] 755	[7780] 880		
7.5	24	23	22	20	17	14	10	4		
[4]	[550] 60	[1180] 135	[2560] 290	[3800] 430	[5030] 570	[6050] 685	[7070] 800	[8260] 935	[9070] 1025	[9530] 1075
15	48	47	45	42	38	32	24	17	10	3
[8]	[560] 65	[1250] 140	[2650] 300	[3970] 450	[5280] 595	[6480] 730	[7710] 870	[8740] 985	[9770] 1105	[10990] 1240
30	96	95	91	87	81	73	64	55	46	35
[12]	[570] 65	[1260] 140	[2690] 305	[4050] 460	[5420] 610	[6730] 760	[8040] 910	[9260] 1045	[10490] 1185	[11800] 1335
45	144	143	140	135	129	121	111	99	88	76
[16]	[540] 60	[1230] 140	[2660] 300	[4060] 460	[5450] 615	[6800] 770	[8150] 920	[9400] 1060	[10660] 1205	[11990] 1355
61	193	192	188	184	178	167	156	141	126	109
[20]	[510] 60	[1200] 135	[2630] 295	[4040] 455	[5450] 615	[6820] 770	[8190] 925	[9520] 1075	[10840] 1225	
76	242	241	236	232	226	216	201	184	167	
[24]	[480] 55	[1160] 130	[260] 295	[4020] 455	[5440] 615	[6840] 775	[8230] 930	[9560] 1080	[10900] 1230	
91	290	289	282	279	273	260	248	232	215	
[28]	[420] 45	[1130] 130	[2570] 290	[3990] 450	[5420] 610	[6820] 770	[8220] 930	[9520] 1075	[10840] 1225	
106	339	336	333	328	320	308	295	276	257	
[32]	[360] 40	[1100] 125	[2510] 285	[3920] 445	[5330] 600	[6750] 765	[8170] 920	[9440] 1065		
121	388	384	381	375	368	354	341	320		
[36]	[300] 35	[1060] 120	[2440] 275	[3830] 435	[5220] 590	[6660] 750	[8100] 915	[9330] 1055		
136	436	430	421	416	410	396	383	360		
[40]	[270] 30	[1020] 115	[2400] 270	[3780] 425	[5150] 580	[6580] 745	[8020] 905	[9220] 1040		
151	485	478	466	461	456	445	427	403		
[50]		[982] 110	[2180] 245	[3420] 385	[4660] 525	[6050] 685	[7440] 840			
189		597	582	576	570	551	534			
[60]			[1960] 220	[3250] 365	[4540] 515	[5750] 650	[7080] 800			
227			698	691	684	661	641			

	[250] 15	[500] 35	[1000] 70	[1500] 105	[2000] 140	[2500] 170	[3000] 205	[3500] 240	[4000] 275	[4500] 310
[1]	[760] 85	[1570] 175	[3230] 365							
3.8	4	2	1							
[2]	[780] 90	[1610] 180	[3270] 370	[4910] 555	[6440] 730	[7760] 875	[9080] 1025	[10590] 1195		
7.5	19	18	17	16	14	12	9	4		
[

Performance Data 6000 Series

490 cm³/r [30.0 in³/r]
 Δ Pressure Bar [PSI]

	[250] 15	[500] 35	[1000] 70	[1500] 105	[2000] 140	[2500] 170	[3000] 205	[3500] 240	[4000] 275
[1] 3.8	[1010] 115 7	[1200] 235 7	[4260] 480 5	[6140] 695 3					
[2] 7.5	[1020] 115 15	[2110] 240 14	[4270] 480 13	[6280] 710 12	[8350] 945 11	[10420] 1175 8	[12140] 1370 3		
[4] 15	[1030] 115 30	[2100] 235 30	[4280] 485 29	[6410] 725 28	[8500] 960 27	[10590] 1195 25	[12500] 1410 21	[14580] 1645 17	[16670] 1885 12
[8] 30	[1020] 115 60	[2090] 235 60	[4290] 485 59	[6490] 735 57	[8620] 975 54	[10740] 1215 51	[12800] 1445 45	[14930] 1685 38	
[12] 45	[1000] 115 91	[2080] 235 91	[4290] 485 89	[6500] 735 87	[8650] 975 84	[10800] 1220 79	[12890] 1455 71		
[16] 61	[110] 960 122	[2060] 235 122	[4260] 480 121	[6480] 730 118	[8650] 975 114	[10820] 1220 109	[12900] 1460 100		
[20] 76	[900] 100 153	[1980] 225 152	[4180] 470 150	[6420] 725 147	[8620] 975 144	[10820] 1220 139			
[24] 91	[850] 95 184	[1930] 220 184	[4150] 470 181	[6390] 720 180	[8580] 970 176	[10770] 1215 171			
[28] 106	[740] 85 215	[1840] 210 214	[4070] 460 211	[6290] 710 208	[8500] 960 204	[10720] 1210 198			
[32] 121	[690] 80 245	[1710] 195 244	[3970] 450 241	[6190] 700 237	[8420] 950 232	[10660] 1205 226			
[36] 136	[670] 75 276	[1560] 175 275	[3860] 435 272	[6080] 685 265	[8340] 940 260	[10420] 1175 255			
[40] 151	[570] 65 307	[1400] 160 306	[3750] 425 303	[5970] 675 295	[8140] 920 290	[10180] 1150 284			
[50] 189		[1140] 130 382	[3240] 365 379	[5220] 590 369	[7620] 860 362				
[60] 227			[2860] 325 454	[4860] 550 442	[7140] 805 435				

[2860]
325
454 } Torque [lb-in]
Nm
Speed RPM

Continuous
Intermittent

625 cm³/r [38.0 in³/r]
 Δ Pressure Bar [PSI]

	[250] 15	[500] 35	[1000] 70	[1500] 105	[2000] 140	[2500] 170	[3000] 205	[3200] 221
[1] 3.8	[1060] 120 5	[2205] 250 5	[4515] 510 4	[6690] 755 2				
[2] 7.5	[1090] 125 12	[2300] 260 12	[4720] 535 12	[7025] 795 10	[9360] 1060 6			
[4] 15	[1145] 130 24	[2450] 275 24	[5052] 570 24	[7520] 850 21	[9410] 1065 16	[12700] 1434 13		
[8] 30	[1195] 135 45	[2600] 295 45	[5350] 605 44	[8195] 925 42	[11220] 1270 37	[13100] 1480 35	[15800] 1785 32	[16800] 1898 30
[12] 45	[1200] 135 72	[2600] 295 72	[5390] 610 71	[8145] 920 68	[11770] 1330 64	[13000] 1469 60	[15700] 1774 56	
[16] 61	[1120] 125 94	[2530] 285 94	[5340] 605 92	[8105] 895 89	[11740] 1325 85	[13000] 1469 83		
[20] 76	[1050] 120 120	[2465] 280 119	[5285] 595 117	[8080] 915 115	[11725] 1325 110			
[24] 91	[950] 105 144	[2365] 265 143	[5180] 585 140	[7990] 905 138	[11705] 1320 132			
[28] 106	[855] 95 169	[2255] 255 168	[5080] 575 165	[7915] 895 162	[11640] 1315 156			
[32] 121	[730] 80 193	[2140] 240 192	[4960] 560 188	[7775] 880 185	[11505] 1300 179			
[36] 136	[555] 65 217	[1965] 220 216	[4780] 540 213	[7585] 855 210				
[40] 151	[380] 45 241	[1790] 200 240	[4600] 520 238	[7395] 835 236				
[50] 189			[4180] 470 296	[6985] 790 290				
[60] 227			[3800] 430 353	[6600] 745 345				

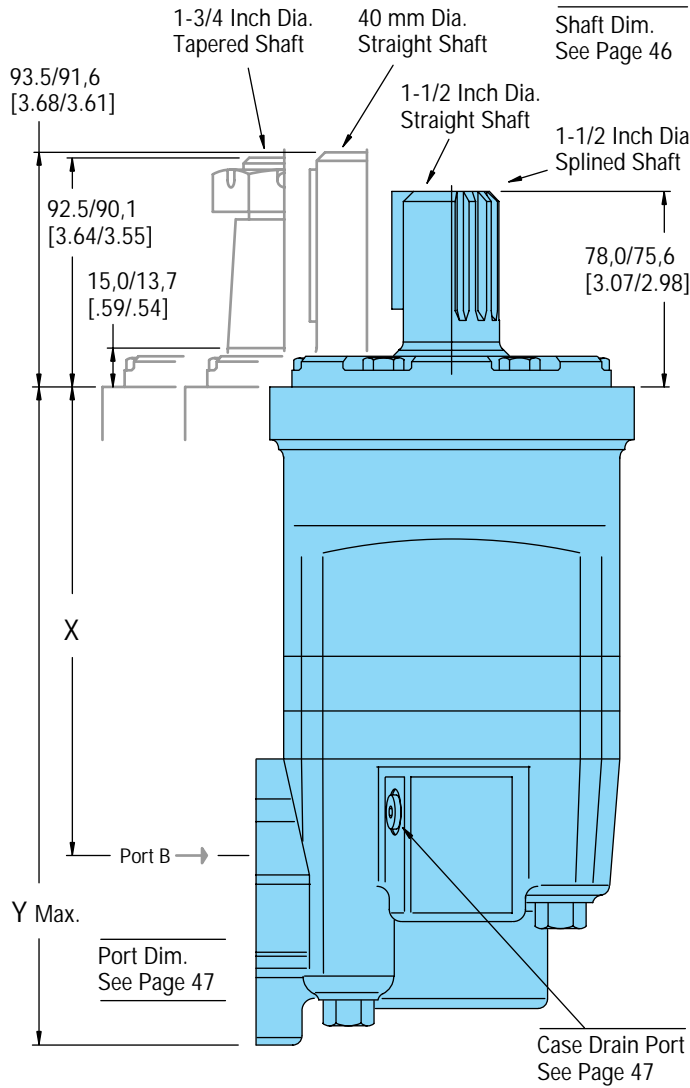
Motors Run with High Efficiency in All Areas Designated with a Number for Torque and Speed, However for Best Motor Life Select a Motor to Run with a Torque and Speed Range shown in the Light Blue Area.

985 cm³/r [60.0 in³/r]
 Δ Pressure Bar [PSI]

	[250] 15	[500] 35	[750] 50	[1000] 70	[1250] 85	[1500] 105	[1750] 120	[2000] 140
[1] 3.8	[1890] 215 3	[4110] 465 3	[5730] 645 2	[7640] 865 2	[9550] 1080 1			
[2] 7.5	[1910] 215 8	[4140] 470 8	[6270] 710 7	[8300] 940 7	[10420] 1175 6	[12500] 1410 5	[13860] 1565 4	[14920] 1685 3
[4] 15	[1980] 225 15	[4290] 485 15	[6480] 775 15	[8540] 965 14	[10670] 1205 14	[12800] 1445 13	[13900] 1570 13	[15850] 1790 12
[8] 30	[2030] 230 30	[4400] 495 30	[6630] 750 30	[8790] 995 29	[10940] 1235 28	[13090] 1480 27	[14500] 1640 26	[16580] 1875 25
[12] 45	[2020] 230 45	[4390] 495 45	[6630] 750 45	[8860] 1000 44	[11050] 1250 43	[13240] 1495 42	[15040] 1700 41	
[16] 61	[2010] 225 61	[4320] 490 61	[6560] 740 61	[8790] 995 60	[11000] 1245 59	[13260] 1500 58		
[20] 76	[1910] 215 77	[4220] 475 77	[6480] 730 76	[8720] 985 76	[10950] 1235 75	[13160] 1485 74		
[24] 91	[1810] 205 92	[4060] 460 92	[6230] 705 92	[8500] 960 91	[10790] 1220 90	[12990] 1470 89		
[28] 106	[1620] 185 107	[3920] 445 107	[6180] 700 107	[8420] 950 106	[10630] 1200 105	[12820] 1450 103		
[32] 121	[1480] 165 123	[3740] 425 123	[5980] 675 122	[8200] 925 121	[10280] 1160 120			
[36] 136	[1140] 130 138	[3490] 395 138	[5710] 645 138	[7930] 895 137	[9940] 1125 135			
[40] 151	[850] 95 153	[3240] 365 153	[5420] 610 152	[7640] 865 151	[9590] 1085 150			
[50] 189		[2960] 325 191	[5160] 585 190	[7350] 830 189	[9310] 1050 188			
[60] 227			[4660] 525 230	[7160] 810 229	[9070] 1025 226			

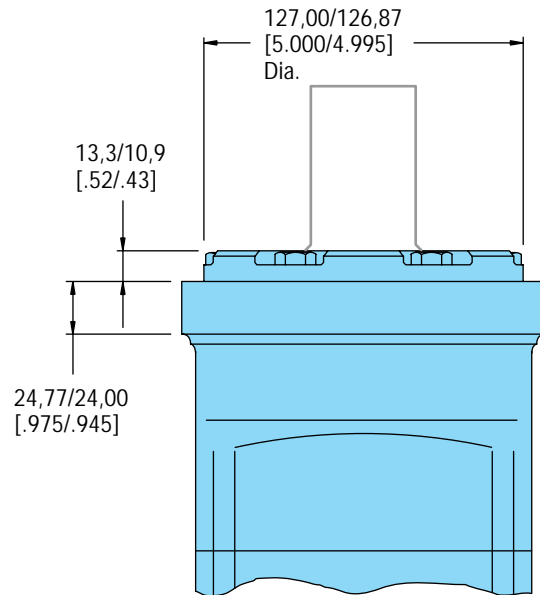
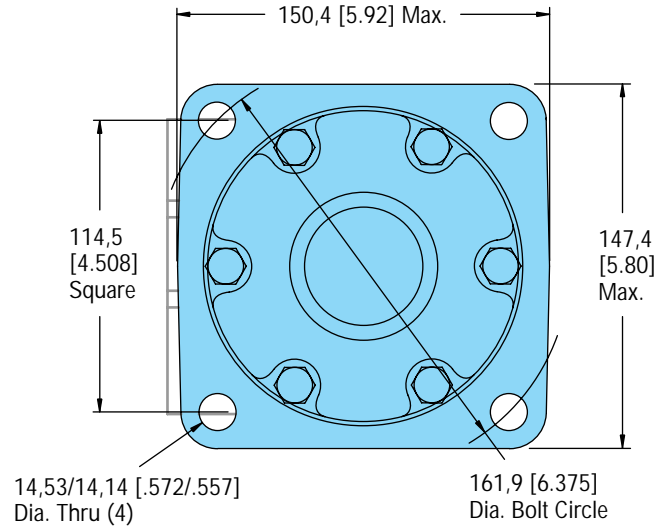
Performance Data is Typical at 120 SUS. Actual data may vary slightly from unit to unit in production

Dimensions — 6000 Series Standard Motor



Standard Rotation
Viewed from Shaft End
Port A Pressurized — CW
Port B Pressurized — CCW

Standard SAE CC Flange



6000 Series Standard Motor with 1-5/16-12 O-ring Ports, G 1 (BSP) Ports, and 3/4 inch Split Flange Ports

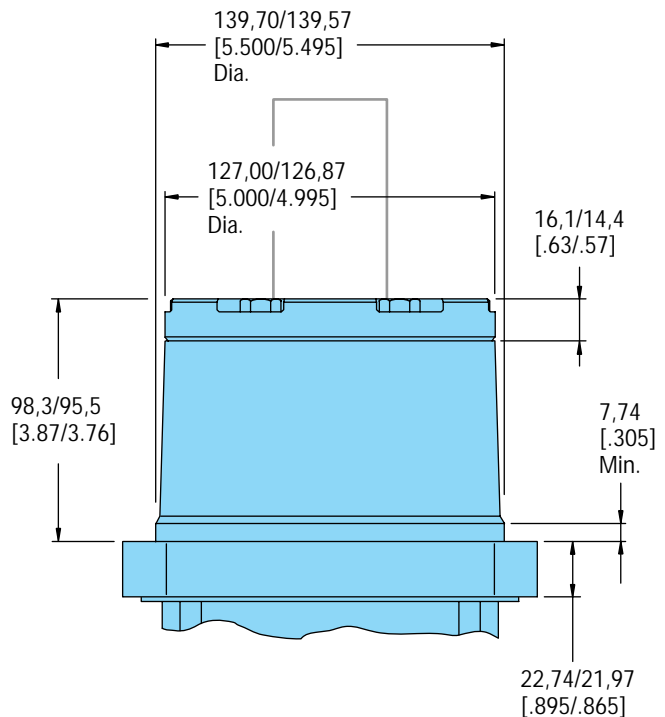
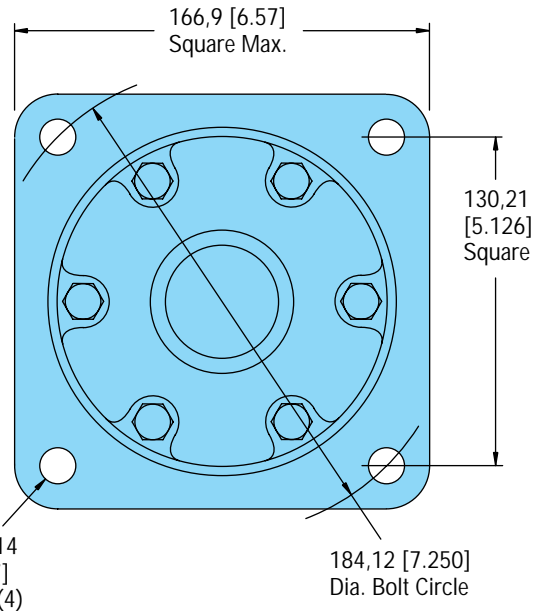
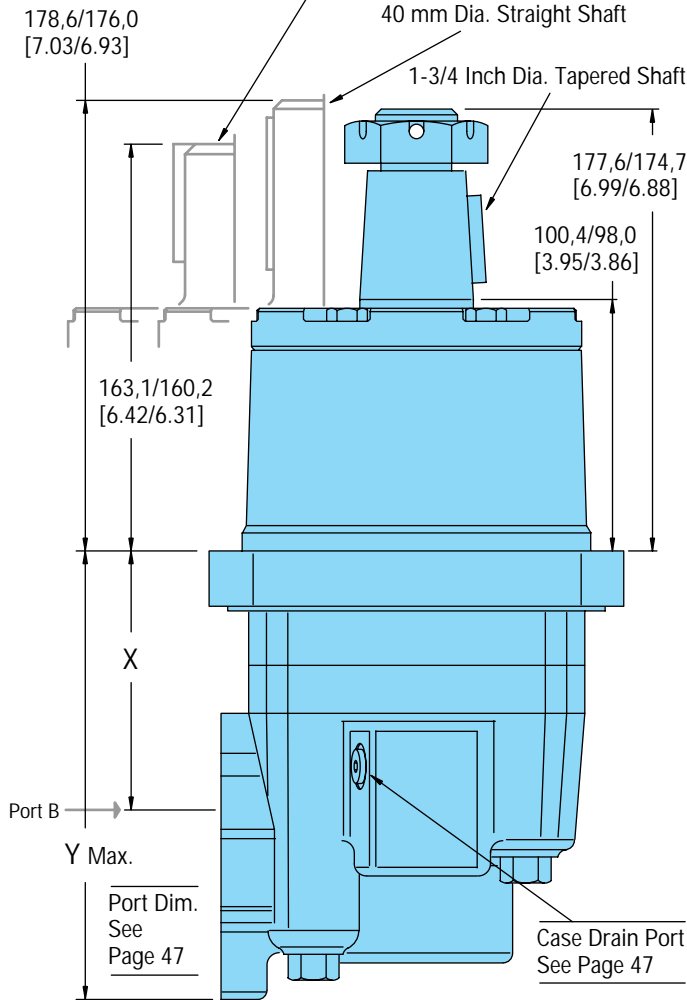
Displ. cm ³ /r [in ³ /r]	195 [11.9]	245 [15.0]	310 [19.0]	390 [23.9]	490 [30.0]	625 [38.0]	985 [60.0]
X Dim. mm [inch]	187,4 [7.38]	193,0 [7.60]	200,4 [7.89]	209,0 [8.23]	220,2 [8.67]	234,8 [9.25]	274,6 [10.81]
Y Dim. mm [inch]	270,1 [10.63]	275,6 [10.85]	283,0 [11.14]	291,6 [11.48]	302,8 [11.92]	317,5 [12.50]	357,4 [14.07]

Dimensions — 6000 Series Wheel Motor

Shaft Dim.
See Page 46

1-1/2 Inch Dia. Straight Shaft or
1-1/2 Inch Dia. Splined Shaft

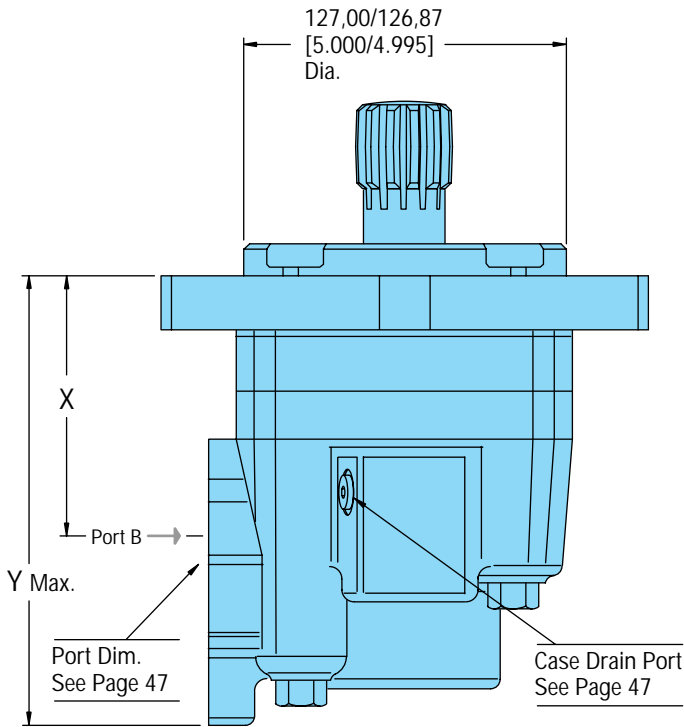
Standard Rotation
Viewed from Shaft End
Port A Pressurized — CW
Port B Pressurized — CCW



6000 Series Wheel Motor with 1-5/16-12 O-ring Ports, G 1 (BSP) Ports, and 3/4 inch Split Flange Ports

Displ. cm ³ /r [in ³ /r]	195 [11.9]	245 [15.0]	310 [19.0]	390 [23.9]	490 [30.0]	625 [38.0]	985 [60.0]
X Dim. mm [inch]	102,6 [4.04]	108,2 [4.26]	115,5 [4.55]	124,3 [4.90]	135,4 [5.33]	150,1 [5.91]	189,8 [7.47]
Y Dim. mm [inch]	185,2 [7.29]	190,8 [7.51]	198,2 [7.80]	207,1 [8.15]	218,0 [8.58]	233,0 [9.17]	272,6 [10.73]

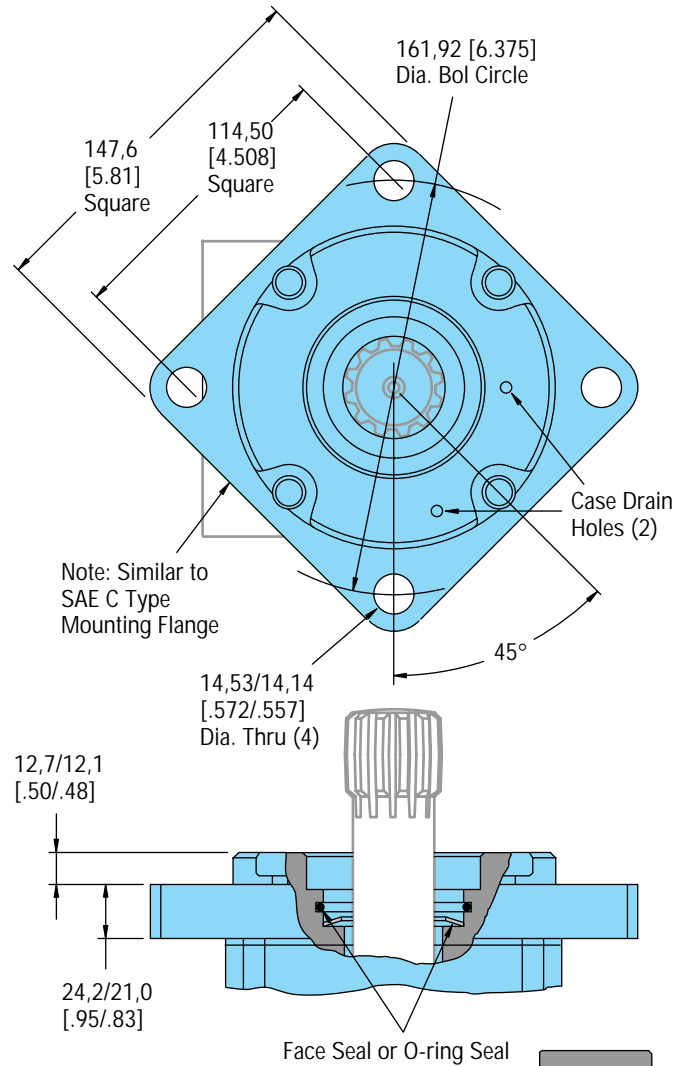
Dimensions — 6000 Series Bearingless Motor



Standard Rotation
Viewed from Drive End
Port A Pressurized — CW
Port B Pressurized — CCW

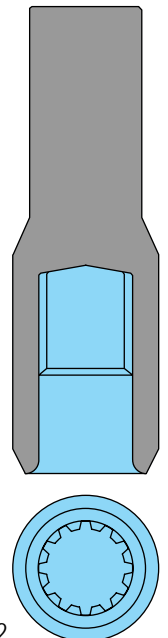
6000 Series Bearingless Motor with 1-5/16-12 O-ring Ports,
G 1 (BSP) Ports, 3/4 inch Split Flange Ports

Displ. cm ³ /r [in ³ /r]	195 [11.9]	245 [15.0]	310 [19.0]	390 [23.9]	490 [30.0]	625 [38.0]	985 [60.0]
X Dim. mm [inch]	105,4 [4.15]	111,0 [4.37]	118,3 [4.66]	127,2 [5.01]	138,1 [5.44]	152,9 [6.02]	192,8 [7.59]
Y Dim. mm [inch]	188,0 [7.40]	193,6 [7.62]	200,7 [7.90]	209,6 [8.25]	220,8 [8.69]	235,5 [9.27]	275,1 [10.83]



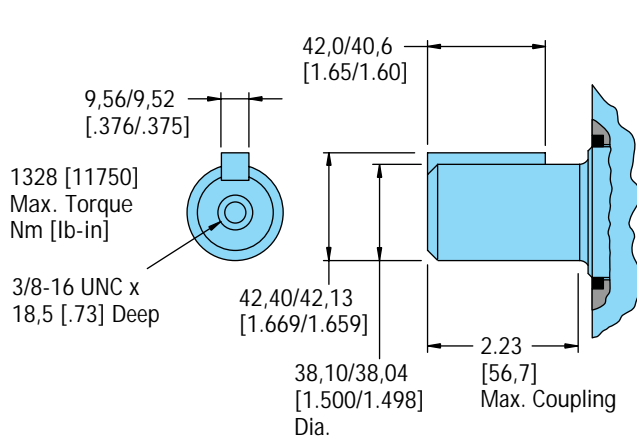
For 6000 Series Bearingless Motor Application Information Contact Your Eaton Representative (Mating Coupling Blanks Available from Eaton Corporation).

Note: After Machining Blank, Part Must be Hardend Per Eaton Specification.

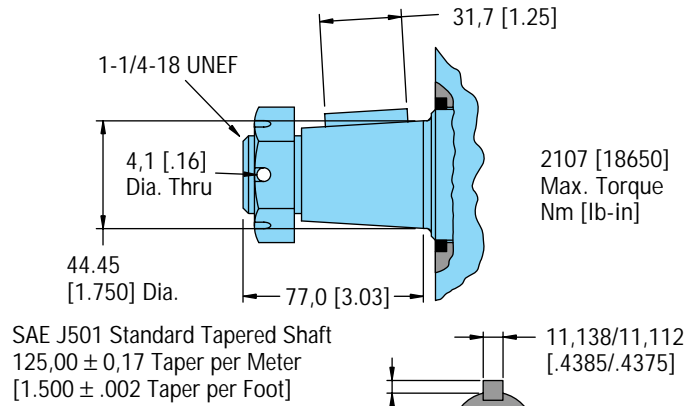


Dimensions — Shafts

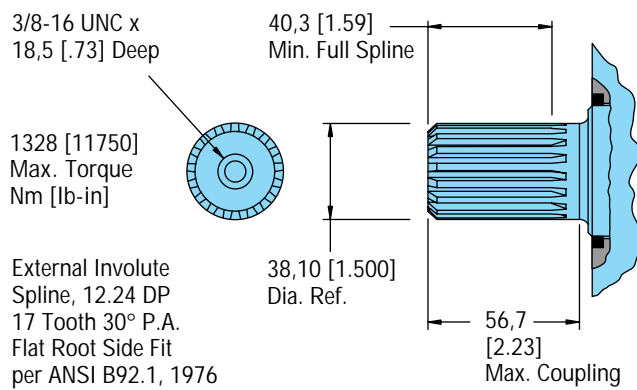
6000 Series



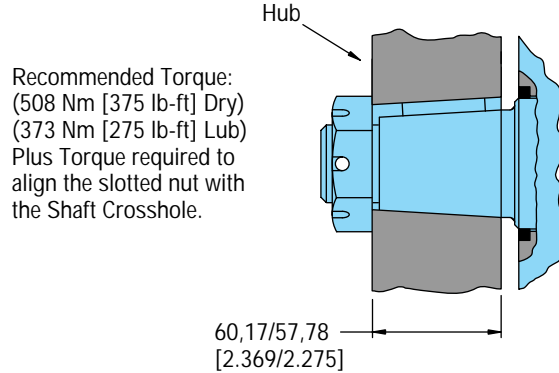
1-1/2 Inch Straight



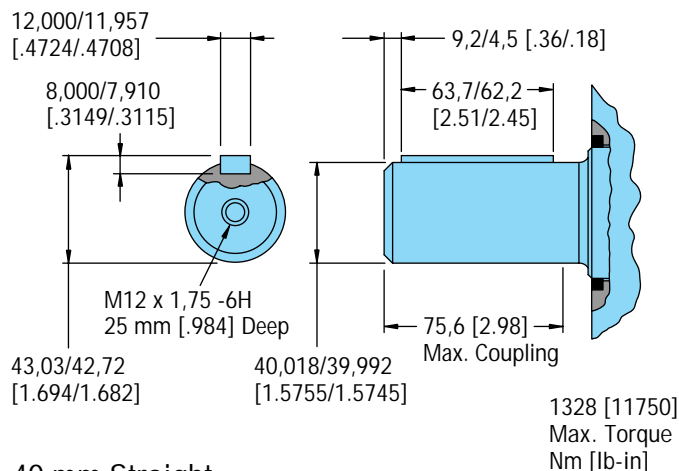
1-3/4 Inch Tapered



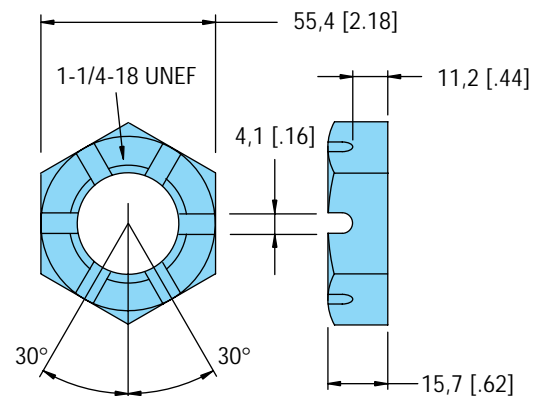
1-1/2 Inch 17 Tooth Splined



Tapered Shaft Hub Data



40 mm Straight



Slotted Hexagon Nut

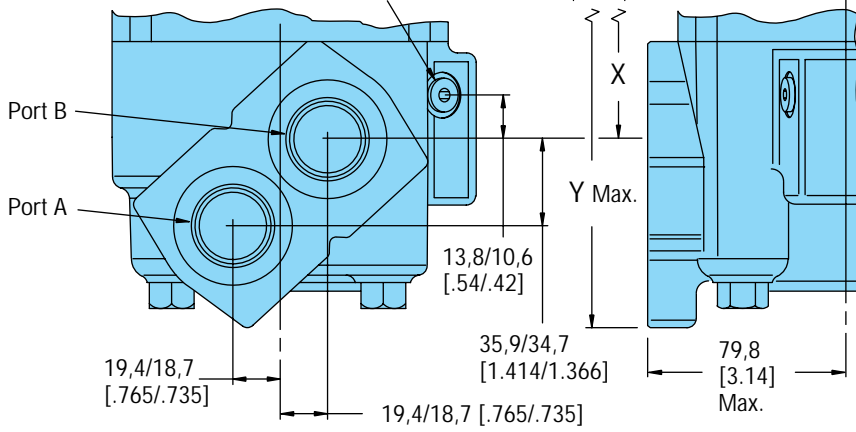
Dimensions — Ports 6000 Series

6000 Series with Shuttle Valve

1-5/16-12 O-ring Ports (2)
or G 1 (BSP) Ports (2)

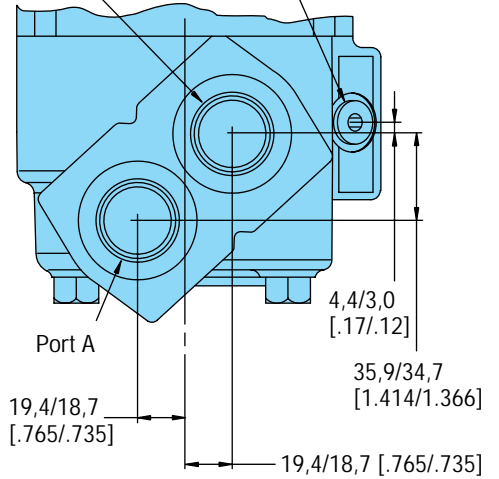
7/16-20 UNF O-ring or
G 1/4 (BSP) Port
Case Drain

See Pages 43-45



1-5/16-12 O-ring Ports (2) with Shuttle
or G 1 (BSP) Ports (2) with Shuttle

9/16-18 UNF O-ring or
M12 x 1,5-6H Case Drain

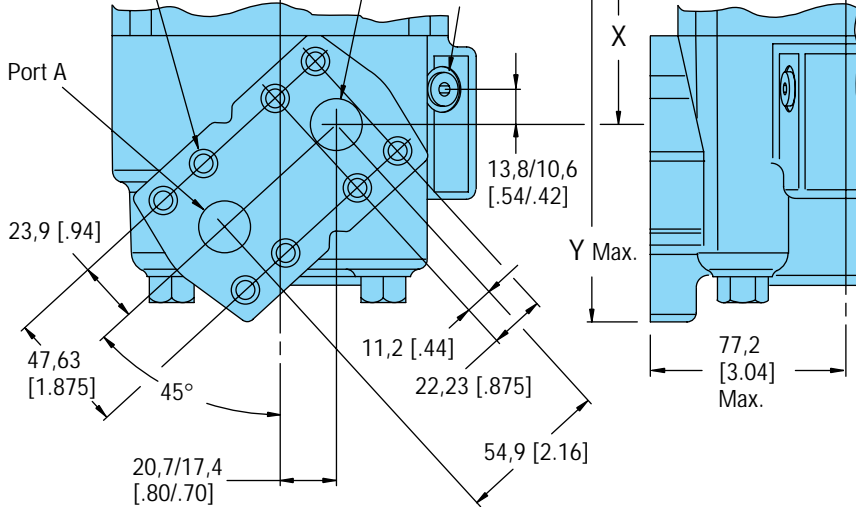


4 Bolt 3/4 Inch Split Flange
Ports to Fit SAE J518c (2)
Except for 20,0 [.79] Min. Thd. Dp.

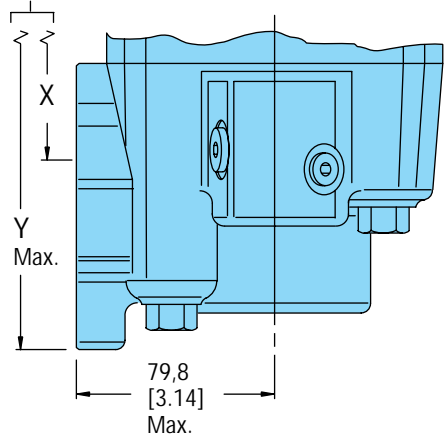
Port B

See Pages 43-45

7/16-20 UNF O-ring
Port Case Drain



See Pages 43-45

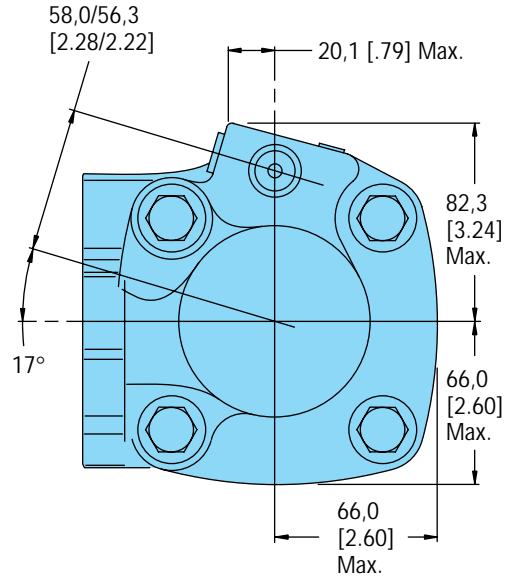
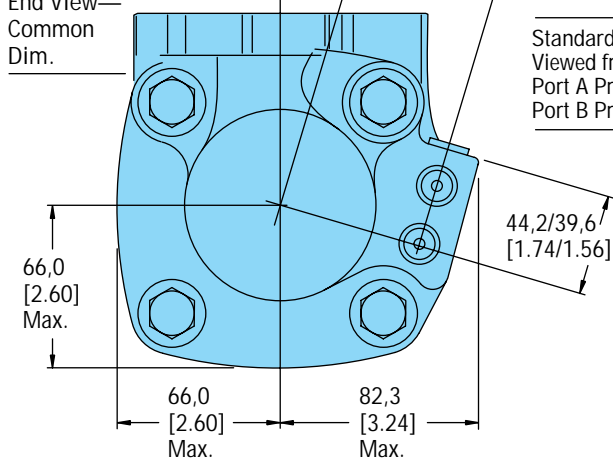


6000 Series
Motor
End View—
Common
Dim.

17°

58,0/56,3
[2.28/2.22]

Standard Rotation — 6000 Series
Viewed from Shaft End
Port A Pressurized — CW
Port B Pressurized — CCW



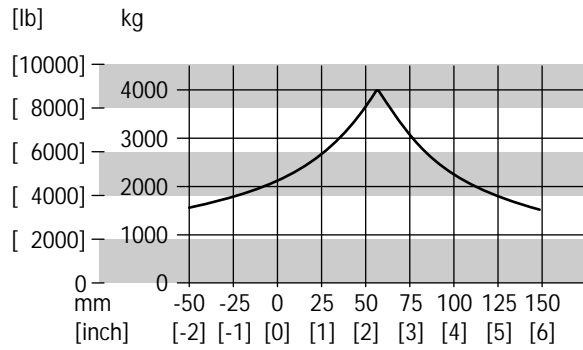
Shaft Side Load Capacity 6000 Series

These curves indicate the radial load capacity on the motor shaft(s) at various locations.

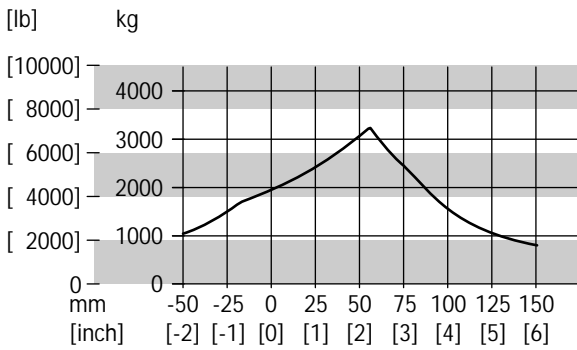
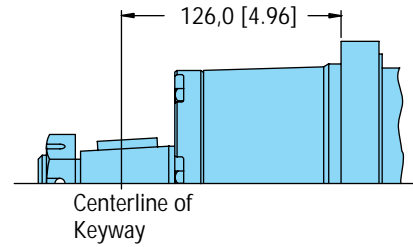
The curve is based on B 10 Bearing life (2000 hours or 12,000,000 shaft revolutions at 100 RPM) at rated output torque. To determine radial load at speeds other than 100 RPM, multiply the load values given on the bearing curve by the factors in the chart below.

RPM	Multiplication Factor
50	1.23
100	1.00
200	.81
300	.72
400	.66
500	.62
600	.58
700	.56
800	.54

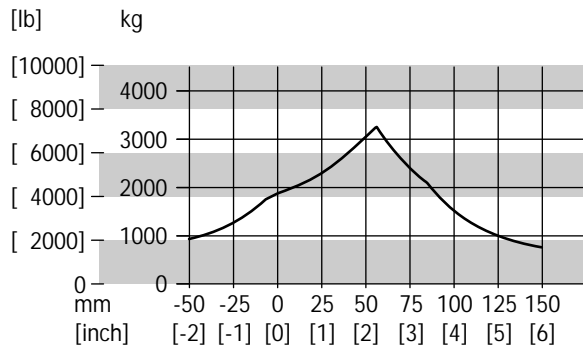
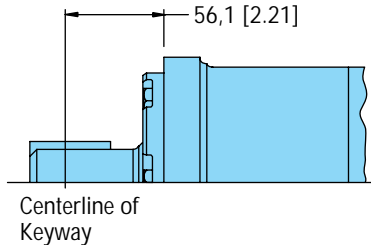
For 3,000,000 Shaft revolutions or 500 hours — Increase these shaft loads 52%.



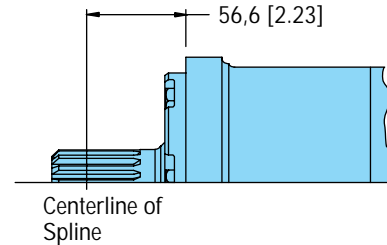
**Wheel Motor
Tapered
Shaft**



**Standard Motor
Straight
Shaft**



**Standard Motor
Splined
Shaft**



Product Numbers 6000 Series

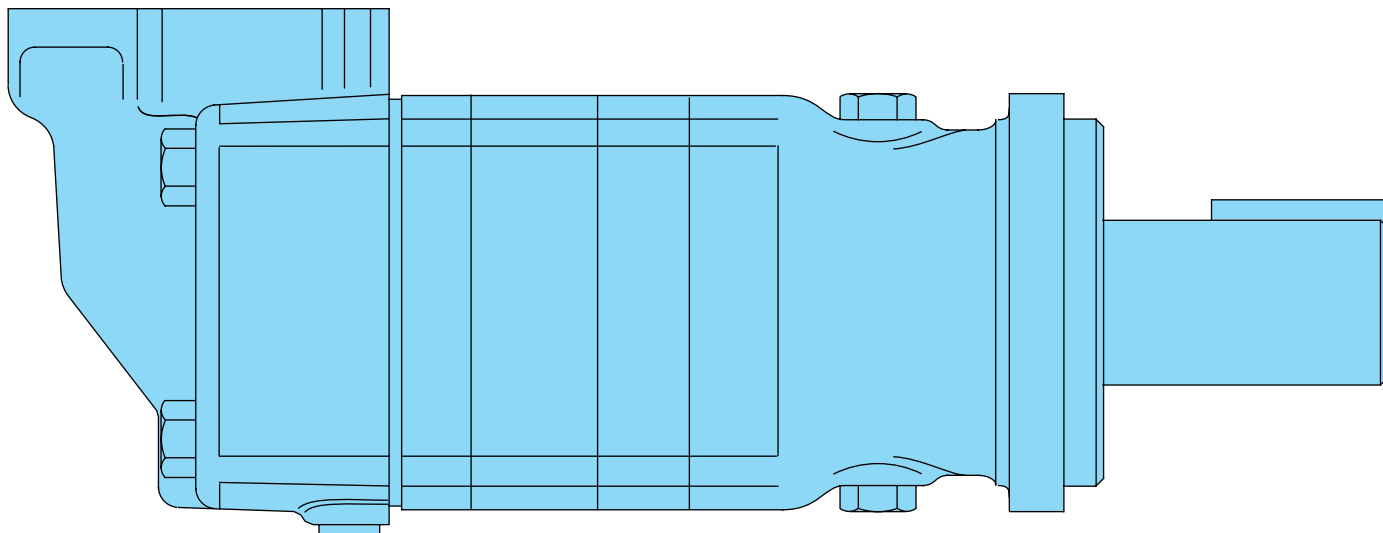
Product Numbers—6000 Series Motors Use digit prefix —112-, 113-, or 114- plus four digit number from charts for complete product number—Example 114-1047.
Orders will not be accepted without three digit prefix.

Mounting	Shaft	Ports	Displacement cm ³ /r [in ³ /r] and Product Number						
			195 [11.9]	245 [15.0]	310 [19.0]	390 [23.9]	490 [30.0]	625 [38.0]	985 [60.0]
Standard	1-1/2 inch Straight	1-5/16 O-ring	112-1064	-1065	-1066	-1067	-1068	-1107	-1069
	40 mm Straight	G 1 (BSP)	112-1094	-1095	-1096	-1097	-1098	—	-1099
	1-1/2 Inch 17 T Splined	1-5/16 O-ring	112-1058	-1059	-1060	-1061	-1062	-1109	-1063
		G 1 (BSP)	112-1088	-1089	-1090	-1091	-1092	—	-1093
Wheel Motor	40 mm Straight	G 1 (BSP)	113-1082	-1083	-1084	-1085	-1086	-1100	-1087
	1-3/4 Inch Tapered	1-5/16 O-ring	113-1070	-1071	-1072	-1073	-1074	-1093	-1075
Bearingless		1-5/16 O-ring	114-1031	-1032	-1033	-1034	-1035	-1055	-1036
		G 1 (BSP)	114-1043	-1044	-1045	-1046	-1047	—	-1048

114-1047

For 6000 Series Motors with a configuration *Not Shown* in the charts above: Use model code number system on page 74 to specify product in detail.

Specifications 10,000 Series



Specification Data—10,000 Series

Displ. cm ³ /r [in ³ /r]		345 [21.0]	480 [29.3]	665 [40.6]	940 [57.4]
Max. Speed (RPM) @ Flow	Continuous	501	354	254	179
	Intermittent	784	552	396	279
Flow LPM [GPM]	Continuous	170 [45]	170 [45]	170 [45]	170 [45]
	Intermittent	265 [70]	265 [70]	265 [70]	265 [70]
Torque Nm [lb-in]	Continuous	1040 [9220]	1475 [13050]	2085 [18450]	2700 [23910]
	Intermittent	1390 [12310]	1965 [17410]	2610 [23080]	3440 [30460]
Pressure Δ Bar [Δ PSI]	Continuous	205 [3000]	205 [3000]	205 [3000]	190 [2750]
	Intermittent	275 [4000]	275 [4000]	260 [3750]	240 [3500]
	Peak	275 [4000]	275 [4000]	275 [4000]	260 [3750]

Maximum Case Pressure - without Case Drain * — 20 Bar [300 PSI]

A simultaneous maximum torque and maximum speed NOT recommended. For permissible continuous and intermittent operating combinations of pressure and flow refer to performance data on pages 51-52.

- * For continuous back pressure over 20 Bar [300 PSI] use an external case drain. Install case drain lines so that the motor case remains filled at all times.

Maximum inlet pressure — 275 Bar [4000 PSI]. Do not exceed Δ pressure rating (see chart above)

- * Maximum return pressure — 275 Bar [4000 PSI]. Do not exceed Δ pressure rating (see chart above)

Δ Bar [Δ PSI] — True pressure difference between inlet port and outlet port.

Continuous Rating — Motor may be run continuously at these ratings.

Intermittent Operation — 10% of every minute.

Peak Operation — 1% of every minute.

Recommended Fluids — Premium quality, anti-wear type hydraulic oil with a viscosity of not less than 70 SUS at operating temperature (see page 69).

Recommended Maximum System Operating Temp. — Is 82° C [180° F]

Recommended Filtration — per ISO Cleanliness Code, level 18/13

To assure best motor life, run motor for approximately one hour at 30% of rated pressure before application to full load. Be sure motor is filled with fluid prior to any load applications.

Performance Data 10,000 Series

Motors Run with High Efficiency in All Areas Designated with a Number for Torque and Speed, However for Best Motor Life Select a Motor to Run with a Torque and Speed Range shown in the Light Blue Area.

345 cm³/r [21.0 in³/r]
Δ Pressure Bar [PSI]

	[250] 15	[500] 35	[1000] 70	[1500] 105	[2000] 140	[2500] 170	[3000] 205	[3500] 240	[4000] 275
[1] 3.8	[600] 70 3	[1310] 150 1							
[2] 7.5	[740] 85 21	[1510] 170 19	[3050] 345 15	[4600] 520 11	[6140] 695 8	[7680] 870 4			
[4] 15	[730] 80 43	[1500] 170 41	[3040] 340 37	[4590] 520 33	[6140] 695 30	[7680] 870 26	[9220] 1040 22	[10770] 1215 18	[12310] 1390 14
[8] 30	[720] 80 87	[1490] 170 86	[3030] 340 82	[4580] 515 78	[6120] 690 74	[7670] 865 70	[9210] 1040 66	[10750] 1215 62	[12300] 1390 58
[12] 45	[700] 80 131	[1470] 165 130	[3020] 340 127	[4560] 515 123	[6100] 690 118	[7650] 865 114	[9190] 1040 110	[10740] 1215 106	[12280] 1385 102
[16] 61	[680] 75 176	[1450] 165 175	[3000] 340 172	[4540] 515 167	[6080] 685 163	[7630] 860 158	[9170] 1035 154	[10720] 1210 149	[12260] 1385 145
[20] 76	[660] 75 221	[1430] 160 220	[2970] 335 217	[4520] 510 212	[6060] 685 207	[7600] 860 202	[9150] 1035 198	[10690] 1210 193	[12230] 1380 189
[24] 91	[630] 70 266	[1400] 160 265	[2950] 335 261	[4490] 505 256	[6030] 680 252	[7580] 855 246	[9120] 1030 242	[10660] 1205 237	[12210] 1380 232
[28] 106	[600] 70 310	[1370] 155 309	[2920] 330 306	[4460] 505 301	[6000] 680 296	[7550] 855 291	[9090] 1025 286	[10640] 1200 280	[12180] 1375 275
[32] 121	[570] 65 356	[1340] 150 355	[2890] 325 351	[4430] 500 346	[5970] 675 340	[7520] 850 335	[9060] 1025 329	[10610] 1200 324	[12150] 1370 319
[36] 136	[540] 60 400	[1310] 150 399	[2850] 320 396	[4400] 495 390	[5940] 670 384	[7480] 845 379	[9030] 1020 373	[10570] 1195 368	[12120] 1370 362
[40] 151	[500] 55 445	[1270] 145 444	[2820] 320 441	[4360] 495 435	[5910] 670 429	[7450] 840 423	[8990] 1015 417	[10540] 1190 412	
[45] 170	[460] 50 501	[1220] 140 500	[2760] 310 498	[4300] 485 492	[5840] 660 486	[7380] 835 480	[8910] 1005 473	[10450] 1180 467	
[60] 227		[1080] 130 668	[2620] 295 665	[4160] 470 658	[5710] 645 651	[7250] 820 644	[8800] 995 637		
[70] 265		[960] 110 784	[2510] 285 777	[4050] 460 769	[5590] 630 761	[7140] 805 754	[8680] 980 746		

480 cm³/r [29.3 in³/r]
Δ Pressure Bar [PSI]

	[250] 15	[500] 35	[1000] 70	[1500] 105	[2000] 140	[2500] 170	[3000] 205	[3500] 240	[4000] 275
[1] 3.8	[760] 85 6	[1540] 175 5	[3120] 355 4	[4640] 525 2					
[2] 7.5	[1040] 120 15	[2140] 240 13	[4320] 490 11	[6500] 735 8	[8690] 980 5	[10870] 1230 2			
[4] 15	[1040] 120 31	[2130] 240 29	[4310] 485 27	[6490] 735 24	[8680] 980 21	[10860] 1225 18	[13050] 1475 16	[15230] 1720 13	[17410] 1965 10
[8] 30	[1020] 115 62	[2110] 240 61	[4290] 485 58	[6480] 730 55	[8660] 980 53	[10840] 1225 50	[13030] 1470 47	[15210] 1720 44	[17390] 1965 42
[12] 45	[990] 110 94	[2080] 235 93	[4270] 480 90	[6450] 730 87	[8630] 975 84	[10820] 1220 81	[13000] 1470 78	[15180] 1715 75	[17370] 1965 73
[16] 61	[960] 110 125	[2060] 235 124	[4240] 480 122	[6420] 725 119	[8600] 970 116	[10790] 1220 113	[12970] 1465 110	[15150] 1710 107	[17340] 1960 104
[20] 76	[930] 105 157	[2020] 230 156	[4200] 475 154	[6390] 720 150	[8570] 970 147	[10750] 1215 144	[12940] 1460 141	[15120] 1710 138	[17300] 1955 135
[24] 91	[890] 100 189	[1980] 225 188	[4170] 470 185	[6350] 715 182	[8530] 965 179	[10720] 1210 175	[12900] 1460 172	[15080] 1705 169	
[28] 106	[850] 95 221	[1940] 220 220	[4130] 465 217	[6310] 715 214	[8490] 960 210	[10680] 1205 207	[12860] 1455 203	[15040] 1700 200	
[32] 121	[810] 90 252	[1900] 215 251	[4080] 460 249	[6270] 710 245	[8450] 955 242	[10630] 1200 238	[12820] 1450 235	[15000] 1695 231	
[36] 136	[760] 85 282	[1850] 210 281	[4040] 455 280	[6220] 705 277	[8400] 950 273	[10590] 1195 270	[12770] 1445 266		
[40] 151	[710] 80 318	[1800] 205 316	[3990] 450 312	[6170] 695 308	[8350] 945 305	[10540] 1190 301	[12720] 1440 297		
[45] 170	[647] 75 354	[1740] 195 353	[3920] 445 351	[6110] 690 348	[8290] 935 344	[10470] 1185 340	[12660] 1430 336		
[60] 227	[430] 50 474	[1520] 170 473	[3710] 420 471	[5890] 665 467	[8070] 910 462	[10260] 1160 458	[12440] 1405 454		
[70] 265		[1360] 155 552	[3540] 400 550	[5730] 645 546	[7910] 895 541	[10100] 1140 536	[12280] 1385 532		

[2510]
285
777 } Torque [lb-in]
Nm
Speed RPM

Continuous
Intermittent

Performance Data is Typical at 120 SUS. Actual data may vary slightly from unit to unit in production

665 cm³/r [40.6 in³/r]
 Δ Pressure Bar [PSI]

Performance Data 10,000 Series

	[250] 15	[500] 35	[750] 50	[1000] 70	[1250] 85	[1500] 105	[1750] 120	[2000] 140	[2250] 155	[2500] 170	[2750] 190	[3000] 205	[3250] 225	[3500] 240	[3750] 260
[1] 3.8	[1470] 165 4	[3010] 340 3	[4550] 515 3	[6100] 690 2	[7630] 860 1										
[2] 7.5	[1480] 165 10	[3020] 340 9	[4560] 515 8	[6110] 690 7	[7650] 865 7	[9200] 1040 6	[10740] 1215 5	[12280] 1385 4	[13830] 1565 3	[15370] 1735 2	[16910] 1910 1				
[4] 15	[1470] 165 22	[3010] 340 21	[4550] 515 20	[6100] 690 19	[7640] 865 18	[9190] 1040 17	[10730] 1210 16	[12270] 1385 15	[13820] 1560 14	[15360] 1735 13	[16900] 1910 12	[18450] 2085 11	[19900] 2260 10	[21540] 2435 9	[23080] 2610 8
[8] 30	[1440] 165 44	[2980] 335 43	[4530] 510 42	[6070] 685 41	[7610] 860 40	[9160] 1035 39	[10700] 1210 38	[12250] 1385 37	[13790] 1560 36	[15330] 1730 35	[16880] 1905 34	[18420] 2080 33	[19960] 2255 32	[21510] 2430 32	[23050] 2605 31
[12] 45	[1400] 160 67	[2950] 335 66	[4490] 505 65	[6040] 680 64	[7580] 855 63	[9120] 1030 62	[10670] 1205 61	[12210] 1380 60	[13750] 1555 59	[15300] 1730 58	[16840] 1905 57	[18380] 2075 56	[19930] 2255 55	[21470] 2425 54	[23020] 2600 53
[16] 61	[1360] 155 89	[2910] 330 88	[4450] 505 87	[5990] 675 86	[7540] 850 85	[9080] 1025 84	[10620] 1200 83	[12170] 1375 82	[13710] 1550 81	[15260] 1725 80	[16800] 1900 79	[18340] 2070 78	[19890] 2245 77	[21430] 2420 76	
[20] 76	[1310] 150 112	[2860] 315 111	[4400] 495 110	[5940] 670 109	[7490] 845 108	[9030] 1020 107	[10580] 1195 106	[12120] 1370 105	[13660] 1545 104	[15210] 1720 103	[16750] 1890 102	[18300] 2070 101	[19840] 2240 100		
[24] 91	[1260] 140 135	[2800] 315 134	[4350] 490 133	[5890] 665 131	[7440] 840 130	[8980] 1015 129	[10520] 1190 128	[12070] 1365 127	[13610] 1540 126	[15150] 1710 125	[16700] 1885 124	[18240] 2060 123	[19780] 2235 122		
[28] 106	[1200] 135 157	[2750] 310 156	[4290] 485 155	[5840] 660 154	[7380] 835 153	[8920] 1010 151	[10470] 1185 150	[12010] 1355 149	[13550] 1530 148	[15100] 1705 147	[16640] 1880 146				
[32] 121	[1140] 130 180	[2690] 305 179	[4230] 480 177	[5770] 650 176	[7320] 825 175	[8860] 1000 174	[10400] 1175 173	[11950] 1350 172	[13490] 1525 171	[15040] 1700 169	[16580] 1875 168				
[36] 136	[1080] 120 202	[2620] 295 201	[4160] 470 200	[5710] 645 199	[7250] 820 198	[8800] 995 196	[10340] 1170 195	[11880] 1340 194	[13430] 1515 193	[14970] 1690 191	[16510] 1865 190				
[40] 151	[1010] 115 225	[2550] 290 224	[4100] 465 222	[5640] 635 221	[7180] 810 220	[8730] 985 219	[10270] 1160 217	[11810] 1335 216	[13360] 1510 215	[14900] 1685 214	[16440] 1855 212				
[45] 170	[920] 105 254	[2460] 280 252	[4000] 450 251	[5550] 625 249	[7090] 800 248	[8630] 975 247	[10180] 1150 245	[11720] 1325 244	[13260] 1500 243	[14810] 1675 242					
[60] 227	[610] 70 338	[2150] 245 336	[3700] 420 335	[5240] 590 334	[6780] 765 332	[8330] 940 331	[9870] 1115 329	[11420] 1290 328	[12960] 1465 327						
[70] 265	[380] 45 396	[1930] 220 393	[3470] 390 391	[5010] 565 390	[6560] 740 388	[8100] 915 387	[9640] 1090 385	[11190] 1265 384							

[3470]
390
391 } Torque [lb-in]
Nm
Speed RPM

Continuous
Intermittent

940 cm³/r [57.4 in³/r]
 Δ Pressure Bar [PSI]

Motors Run with High Efficiency in All Areas Designated with a Number for Torque and Speed, However for Best Motor Life Select a Motor to Run with a Torque and Speed Range shown in the Light Blue Area.

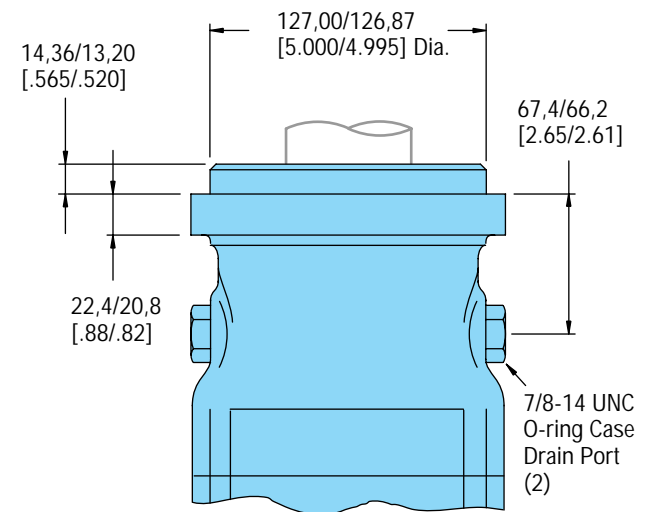
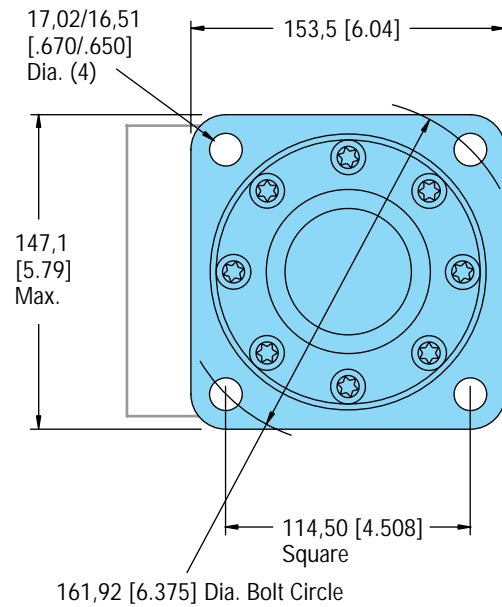
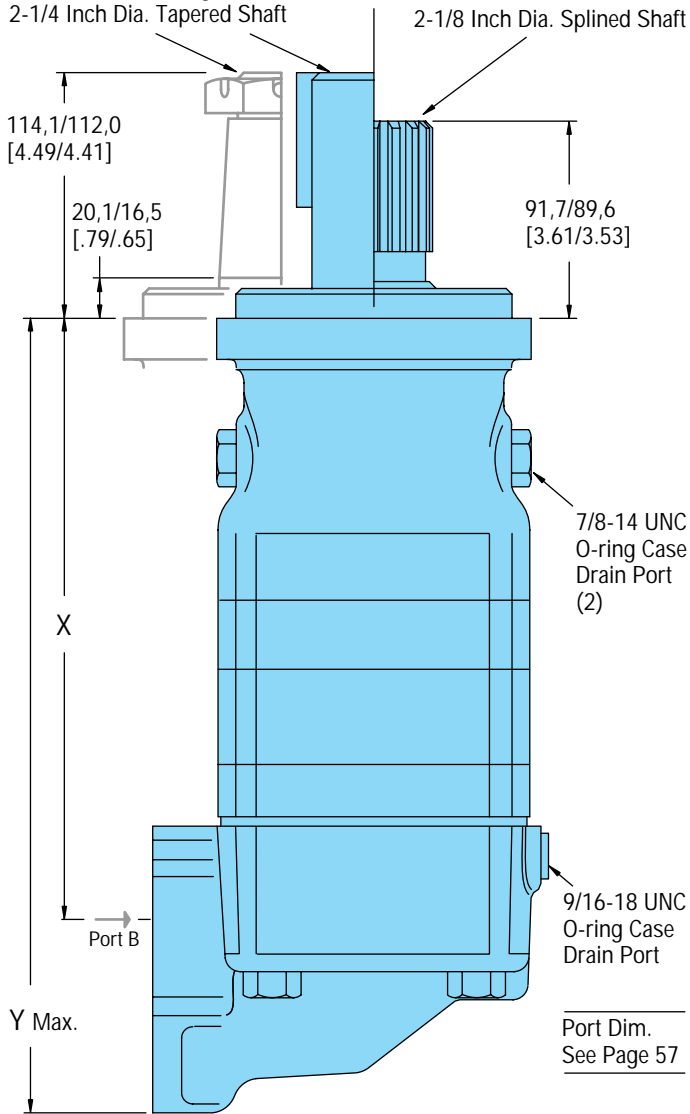
	[250] 15	[500] 35	[750] 50	[1000] 70	[1250] 85	[1500] 105	[1750] 120	[2000] 140	[2250] 155	[2500] 170	[2750] 190	[3000] 205	[3250] 225	[3500] 240
[1] 3.8	[2080] 235 3	[4260] 480 2	[6440] 730 1											
[2] 7.5	[2090] 235 7	[4270] 480 6	[6450] 730 5	[8640] 975 5	[10820] 1220 4	[13000] 1470 3	[15190] 1715 2	[17370] 1965 1						
[4] 15	[2080] 235 15	[4260] 480 14	[6440] 730 13	[8620] 975 13	[10810] 1220 12	[12990] 1470 11	[15170] 1715 10	[17360] 1960 9	[19540] 2170 8	[21720] 2455 7	[23910] 2700 7	[26090] 2950 6	[28270] 3195 5	[30460] 3440 4
[8] 30	[2040] 230 31	[4220] 475 30	[6400] 725 29	[8590] 970 28	[10770] 1215 28	[12950] 1465 27	[15140] 1710 26	[17320] 1955 25	[19500] 2200 24	[21690] 2450 23	[23870] 2695 22			
[12] 45	[1990] 225 47	[4170] 470 46	[6350] 715 45	[8540] 965 44	[10720] 1210 43	[12900] 1460 43	[15090] 1705 42	[17270] 1950 41	[19450] 2200 40	[21640] 2445 39				
[16] 61	[1930] 220 63	[4110] 465 62	[6290] 710 61	[8480] 960 60	[10660] 1205 59	[12840] 1450 58	[15030] 1700 58	[17210] 1945 57	[19390] 2190 56					
[20] 76	[1860] 210 79	[4040] 455 78	[6220] 705 77	[8410] 950 76	[10590] 1195 75	[12770] 1445 74	[14960] 1690 73	[17140] 1935 72	[19320] 2185 72					
[24] 91	[1780] 200 95	[3970] 450 94	[6150] 695 93	[8330] 940 92	[10520] 1190 91	[12700] 1435 90	[14880] 1680 89	[17070] 1930 88						
[28] 106	[1700] 190 111	[3890] 440 110	[6070] 685 109	[8250] 930 108	[10440] 1180 107	[12620] 1425 106	[14800] 1675 105	[16990] 1920 104						
[32] 121	[1620] 185 127	[3800] 430 126	[5980] 675 125	[8160] 920 124	[10350] 1170 123	[12530] 1415 122	[14720] 1665 121							
[36] 136	[1520] 170 143	[3710] 420 142	[5890] 665 141	[8070] 910 140	[10260] 1160 139	[12440] 1405 138	[14620] 1650 137							
[40] 151	[1420] 160 159	[3610] 410 158	[5790] 655 157	[7970] 900 156	[10160] 1150 155	[12340] 1395 154	[14520] 1640 153							
[45] 170	[1290] 145 179	[3480] 395 178	[5660] 640 177	[7840] 885 176	[10020] 1130 174	[12210] 1380 174	[14400] 1625 173							
[60] 227	[860] 95 239	[3040] 345 238	[5230] 590 236	[7410] 835 235	[9600] 1085 234	[11780] 1330 233								
[70] 265	[540] 60 279	[2720] 305 278	[4910] 555 276	[7090] 800 275	[9270] 1045 274	[11460] 1295 273								

Performance Data is Typical at 120 SUS. Actual data may vary slightly from unit to unit in production

Dimensions — 10,000 Series Standard Motor

Shaft Dim. See Page 56

2-1/4 Inch Dia. Straight Shaft or
2-1/4 Inch Dia. Tapered Shaft

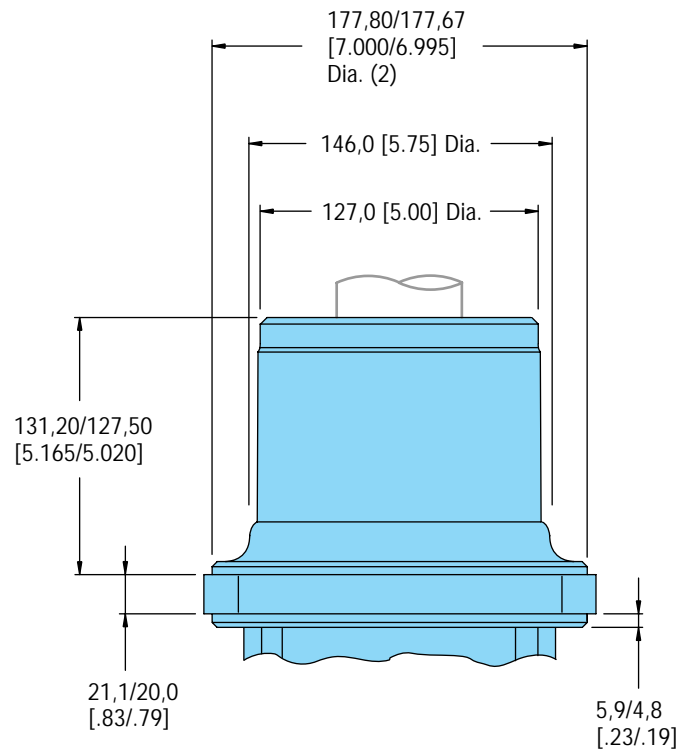
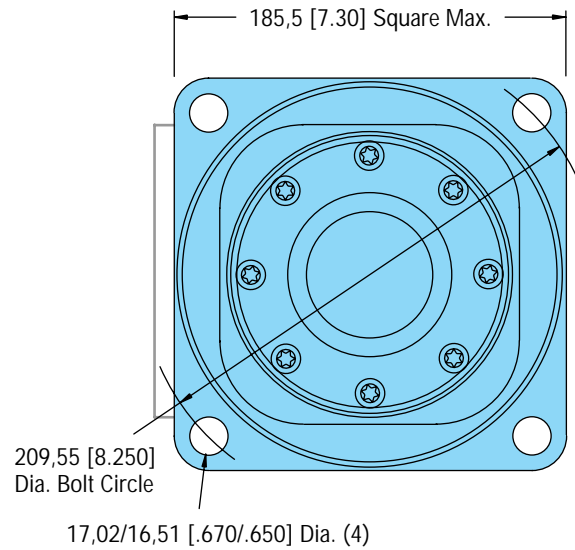
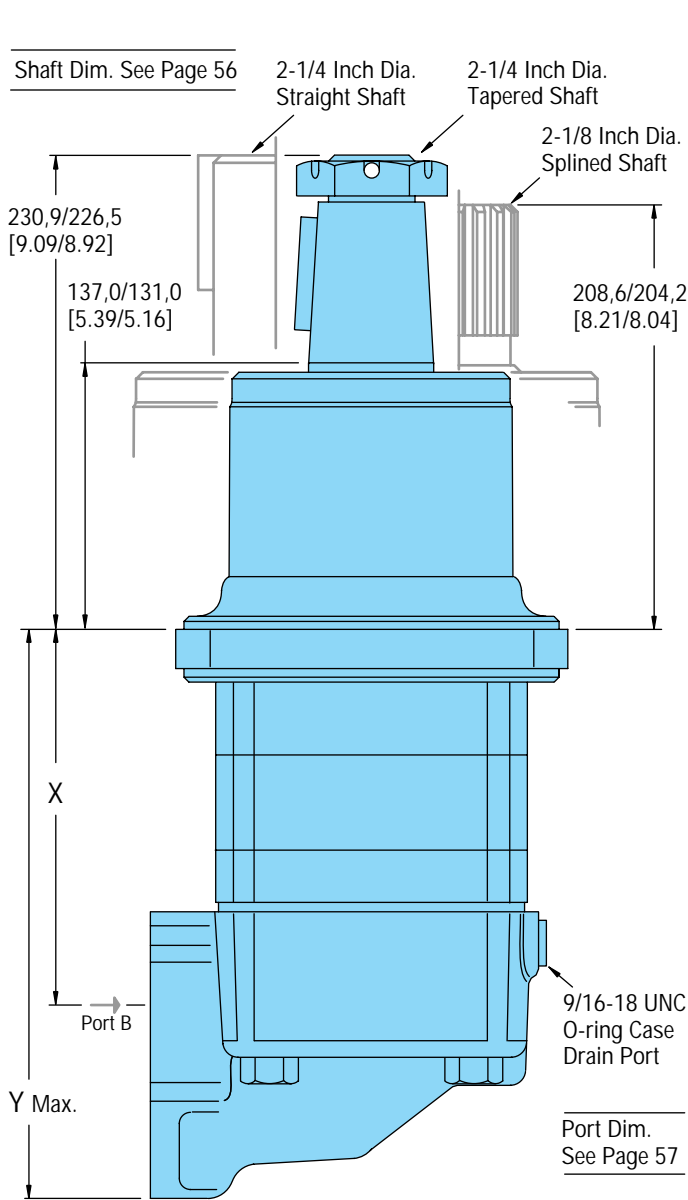


10,000 Series Standard Motor

Displ. cm ³ /r [in ³ /r]	345 [21.0]	480 [29.2]	665 [40.6]	940 [57.4]
X Dim. mm [inch]	282,4 [11.12]	295,1 [11.62]	295,1 [11.62]	313,7 [12.35]
Y Dim. mm [inch]	380,8 [14.99]	393,7 [15.50]	393,7 [15.50]	412,3 [16.23]

Standard Rotation
Viewed from Shaft End
Port A Pressurized — CW
Port B Pressurized — CCW

Dimensions — 10,000 Series Wheel Motor

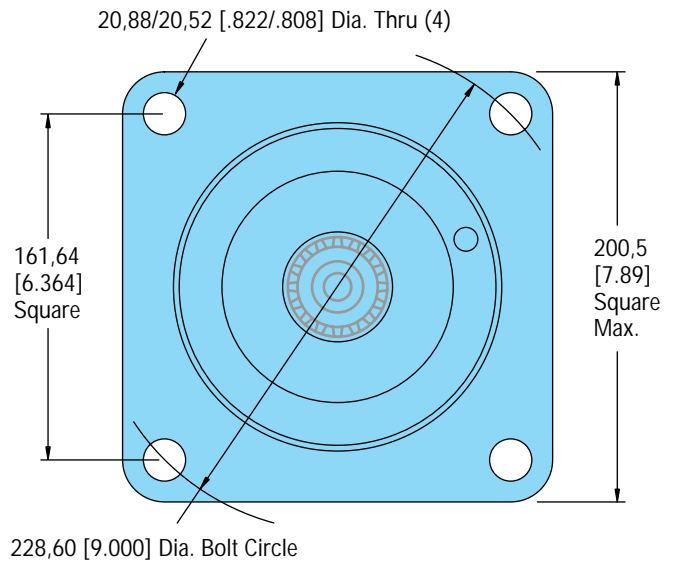


10,000 Series Wheel Motor

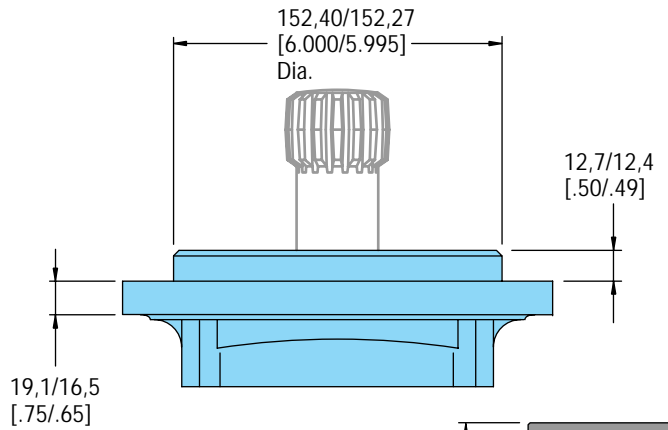
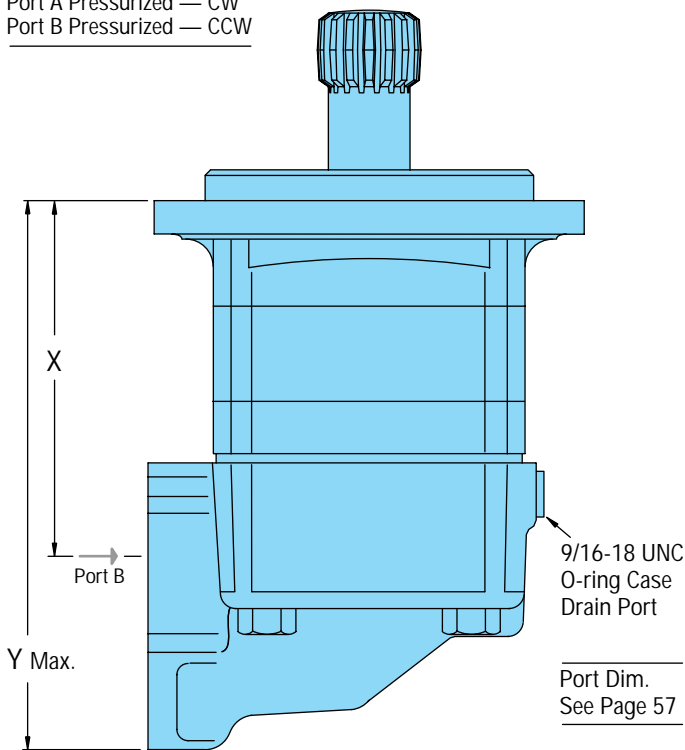
Displ. cm ³ /r [in ³ /r]	345 [21.0]	480 [29.2]	665 [40.6]	940 [57.4]
X Dim. mm [inch]	166,9 [6.57]	179,6 [7.07]	179,6 [7.07]	197,8 [7.79]
Y Dim. mm [inch]	266,2 [10.48]	278,9 [10.98]	278,9 [10.98]	297,5 [11.71]

Standard Rotation
Viewed from Shaft End
Port A Pressurized — CW
Port B Pressurized — CCW

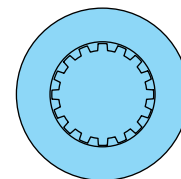
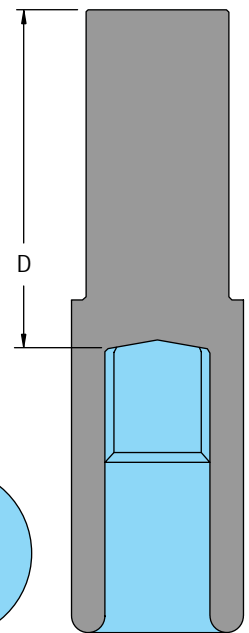
Dimensions — 10,000 Series Bearingless Motor



Standard Rotation
Viewed from Drive End
Port A Pressurized — CW
Port B Pressurized — CCW



For 10,000 Series bearingless motor application information contact your Eaton representative (mating coupling blanks available from Eaton Corporation). Note: After machining blank, part must be hardened per Eaton specification.



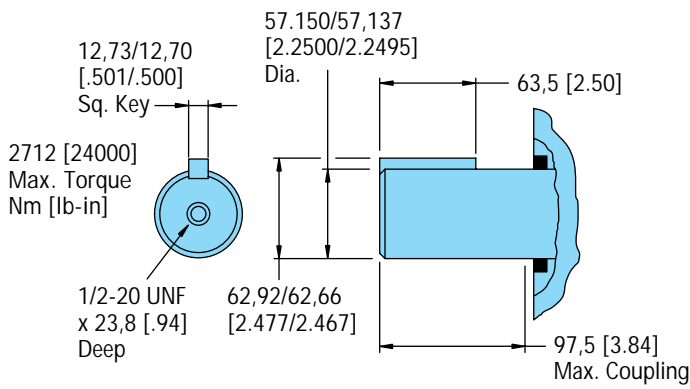
10,000 Series Bearingless Motor

Displ. cm ³ /r [in ³ /r]	345 [21.0]	480 [29.2]	665 [40.6]	940 [57.4]
X Dim. mm [inch]	158,0 [6.22]	170,7 [6.72]	170,7 [6.72]	188,9 [7.44]
Y Dim. mm [inch]	256,1 [10.10]	269,3 [10.60]	269,3 [10.60]	287,6 [11.32]

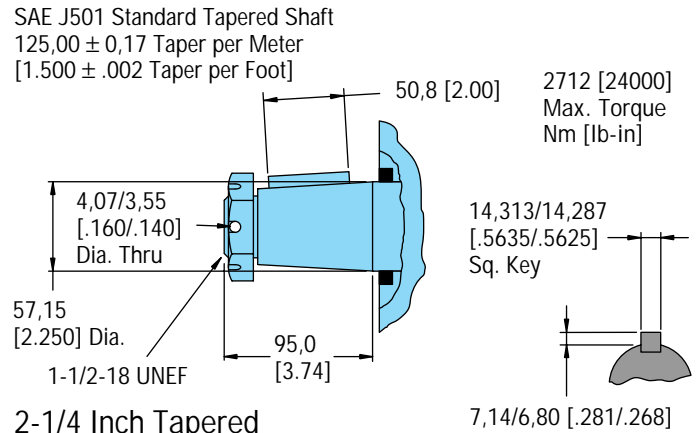
Mating Coupling Blank Eaton Part No.	Dimension D mm [inch]
13280-001	133,6/128,5 [5.26/5.06]
13280-002	156,0/150,9 [6.14/5.94]

Dimensions — Shafts

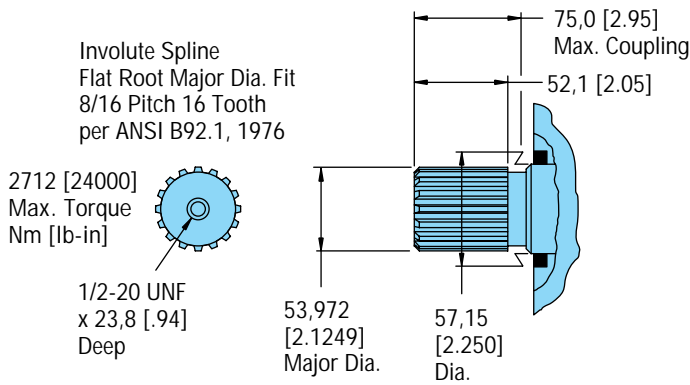
10,000 Series



2-1/4 Inch Straight

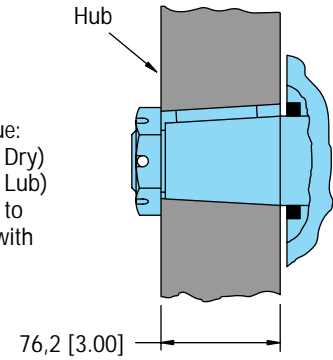


2-1/4 Inch Tapered

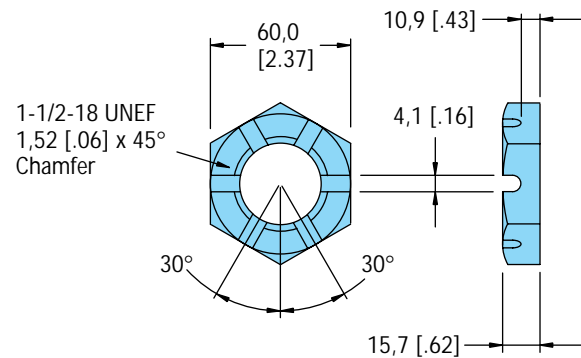


2-1/8 Inch 16 Tooth Splined

Recommended Torque:
(1150 Nm [850 lb-ft] Dry)
(880 Nm [650 lb-ft] Lub)
Plus Torque required to
align the slotted nut with
the Shaft Crosshole.



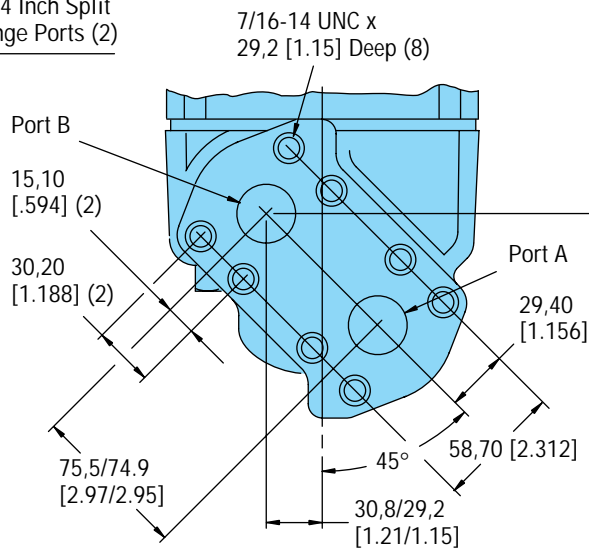
Tapered Shaft Hub Data



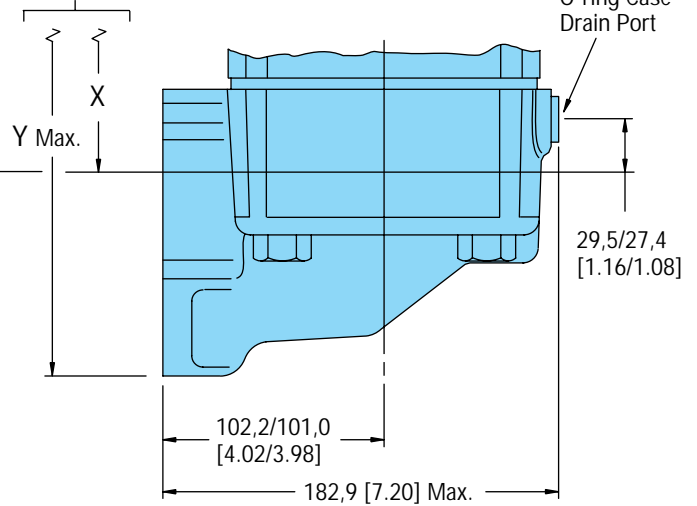
Slotted Hexagon Nut

Dimensions —Ports 10,000 Series

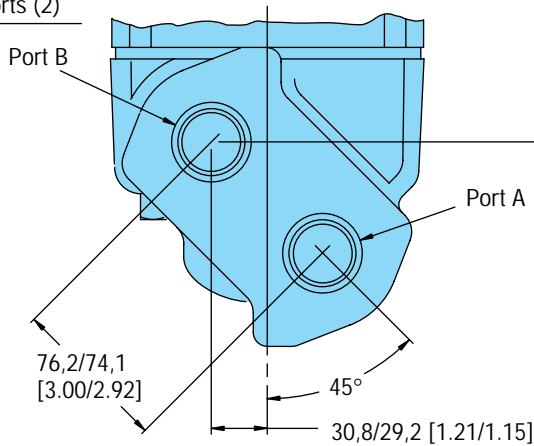
1-1/4 Inch Split Flange Ports (2)



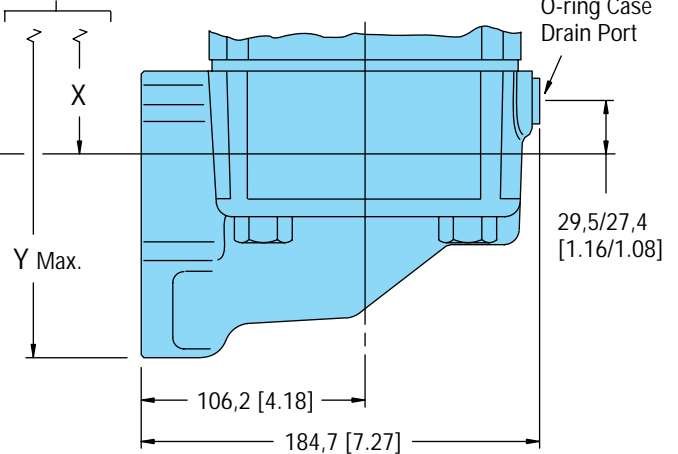
See Pages 53-55



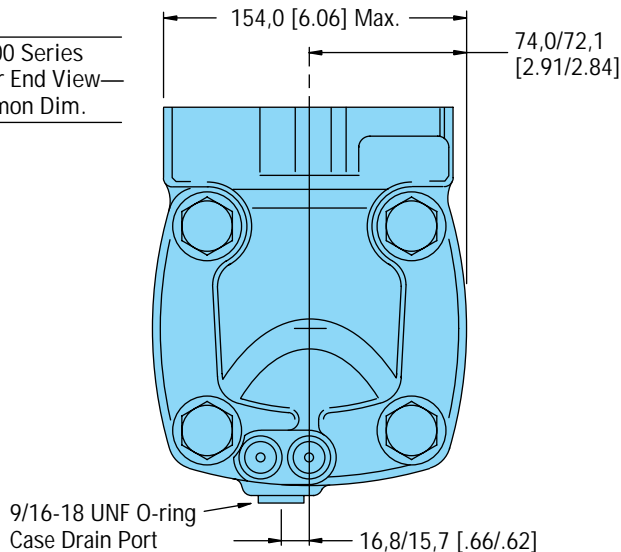
1-5/16 -12 O-ring Ports (2)



See Pages 53-55



10,000 Series Motor End View—Common Dim.



Standard Rotation 10,000 Series
Viewed from Shaft End
Port A Pressurized — CW
Port B Pressurized — CCW

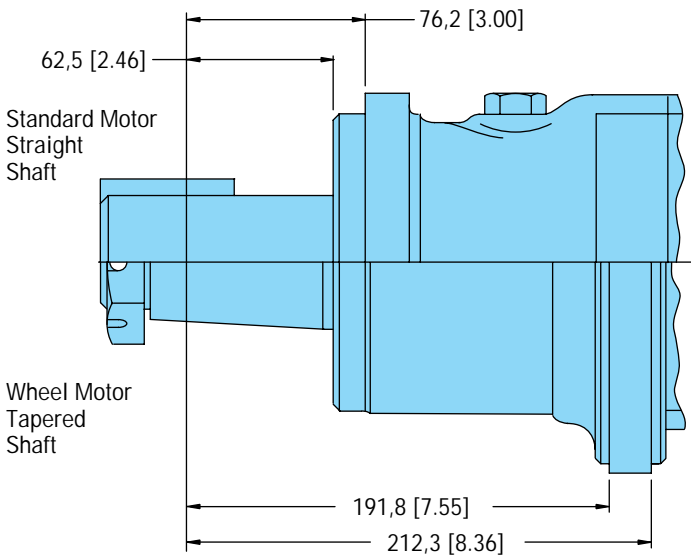
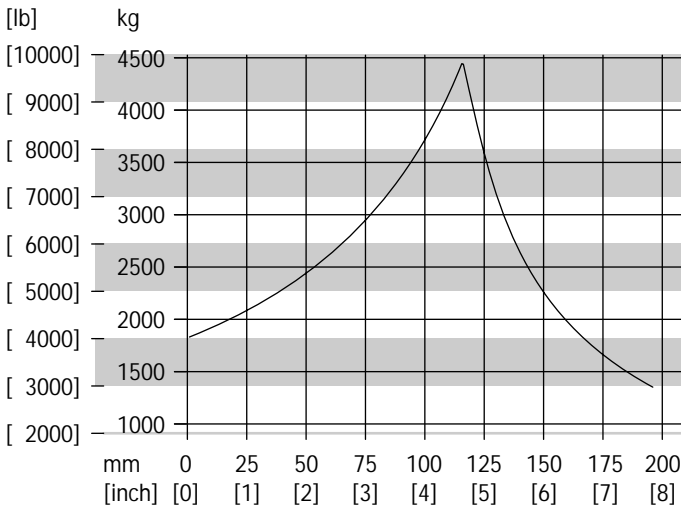
Shaft Side Load Capacity 10,000 Series

This curve indicates the radial load capacity on the motor shaft(s) at various locations.

The curve is based on B 10 Bearing life (2000 hours or 12,000,000 shaft revolutions at 100 RPM) at rated output torque. To determine radial load at speeds other than 100 RPM, multiply the load values given on the bearing curve by the factors in the chart below.

RPM	Multiplication Factor
50	1.23
100	1.00
200	.81
300	.72
400	.66
500	.62
600	.58
700	.56
800	.54

For 3,000,000 Shaft revolutions or 500 hours — Increase these shaft loads 52%.



Product Numbers 10,000 Series

Product Numbers—10,000 Series Motors

Use digit prefix —119-, 120-, or 121- plus four digit number from charts for complete product number—Example 121-1014.
Orders will not be accepted without three digit prefix.

Mounting	Shaft	Ports	Displacement cm ³ /r [in ³ /r] and Product Number				
			345 [21.0]	480 [29.3]	665 [40.6]	940 [57.4]	
Standard	2-1/4 inch Straight	1-5/16 O-ring	119-1028	-1029	-1030	-1031	
		1-1/4 Split Flange	119-1040	-1041	-1042	-1043	
	2-1/8 Inch 16 T Splined	1-5/16 O-ring	119-1032	-1033	-1034	-1035	
		1-1/4 Split Flange	119-1044	-1045	-1046	-1047	
	2-1/4 Inch Tapered	1-5/16 O-ring	119-1036	-1037	-1038	-1039	
		1-1/4 Split Flange	119-1048	-1049	-1050	-1051	
	Wheel Motor	2-1/4 inch Straight	1-5/16 O-ring	120-1005	-1006	-1007	-1008
			1-1/4 Split Flange	120-1017	-1018	-1019	-1020
2-1/8 Inch 16 T Splined		1-5/16 O-ring	120-1009	-1010	-1011	-1012	
		1-1/4 Split Flange	120-1021	-1022	-1023	-1024	
2-1/4 Inch Tapered		1-5/16 O-ring	120-1013	-1014	-1015	-1016	
		1-1/4 Split Flange	120-1025	-1026	-1027	-1028	
Bearingless			1-5/16 O-ring	121-1007	-1008	-1009	-1010
			1-1/4 Split Flange	121-1011	-1012	-1013	-1014

121-1014

For 10,000 Series motors with a configuration *Not Shown* in the charts above: Contact your Eaton representative.

Two Speed Motor — 2000 Series and 10,000 Series

The Eaton 2000 Series and 10,000 Series motors are available with an integral two speed feature that changes the displacement in a ratio of 1 to 2 and shifts the motor from a low speed high torque (LSHT) mode to a high speed low torque (HSLT) mode. The open center selector valve shifts the speed mode from low to high speed when pilot pressure of 6.9 Δ Bar [100 Δ PSI] minimum is applied to the pilot port (6.9 Bar [100 PSI] higher than case pressure). In the high speed mode torque values are approximately one half with twice the speed of the conventional 2000 Series or 10,000 Series single speed motors.

An external two position three way valve is required for shifting the pilot pressure port between signal pressure (HSLT) and low pressure (LSHT)

Two speed motors are available with a return line closed center shuttle for closed circuit applications.

Low speed high torque mode is the normal position of the speed selector valve. When a differential pressure is supplied to the pilot port and 6.9 Bar [100 PSI] is reached, the selector valve overcomes the return spring force and the spool shifts to the high speed mode. The oil in the opposite side of the spool is drained internally. Pressure between the pilot supply and case drain or return line (depending on open or closed circuit system) must be maintained to keep the motor in the high speed mode.

When pilot pressure is removed from the pilot port the pressure in the pilot end of the spool valve is relieved and drained back through this three way valve, the spring force returns the spool valve to LSHT position.

Pilot pressure may come from any source that will provide uninterrupted pressure during the high speed mode operation. Pilot pressure 6.9 Δ Bar [100 Δ PSI] minimum, up to the full operating pressure of the motor.

In normal LSHT operation the Char-Lynn two speed motor will function with equal shaft output in either direction (CW or CCW), the same as the single speed Char-Lynn disc valve motors.

However, to prevent cavitation in the HSLT mode, the preferred direction of shaft rotation is counter clockwise (port B pressurized). This unique disc valve is not symmetrical in porting the fluid for the HSLT mode. Consequently, when the pressure is reversed for HSLT CW rotation, cavitation can occur. Installing a restriction (14 Bar [200 PSI]) in the hydraulic line that connects port B will prevent cavitation (see page 61).

If you are operating in a critical area and a restriction in the hydraulic line causes concern, these two speed motors can be ordered timed with CW preferred HSLT shaft rotation. Hence, with this option port B will have to be pressurized for CW preferred HSLT shaft rotation. The restriction recommended for the line connecting port B remains unchanged. Finally in closed circuit applications a hydraulic line restriction is not required. Instead, the charge pump can be used to supply and maintain a minimum pressure of 14 Bar [200 PSI].

Note: Be certain in closed loop applications that the charge pump when used for back pressure on the B port, has sufficient displacement to maintain charge pressure especially in dynamic braking or overrunning load conditions.

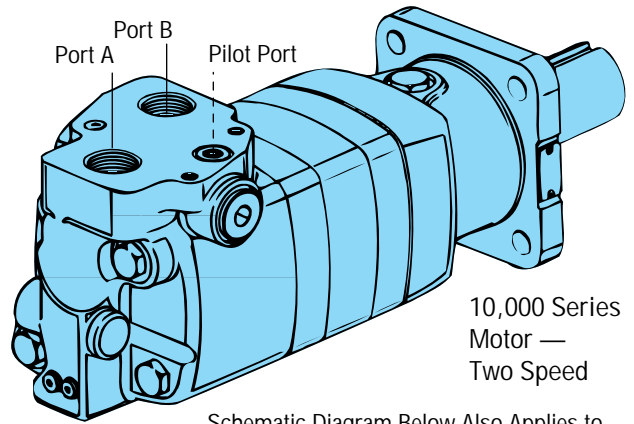
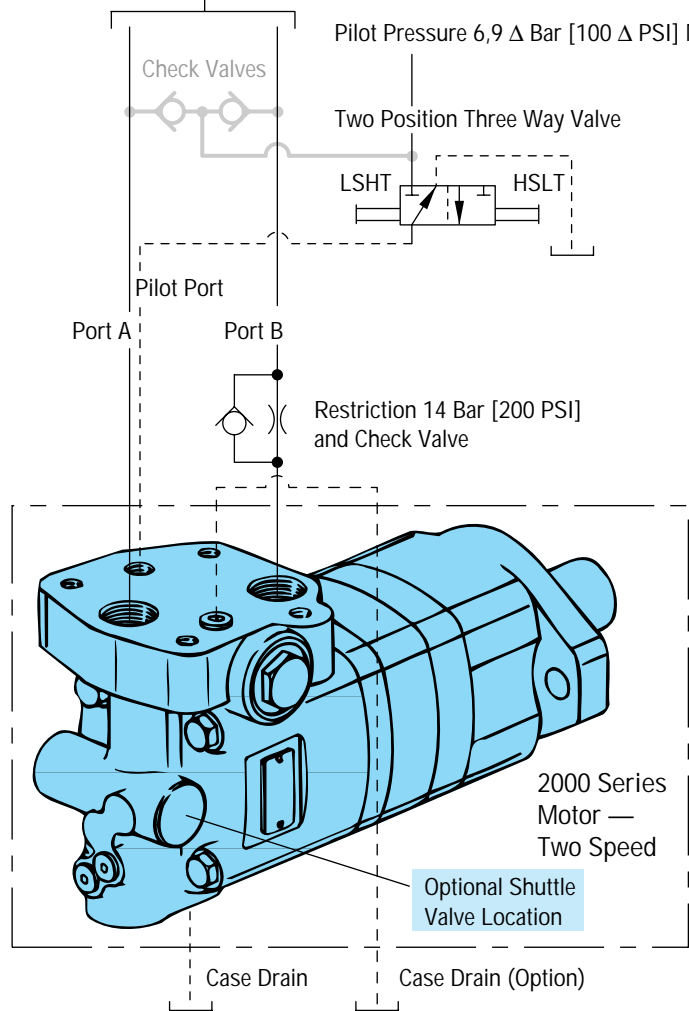
Important! Due to potential problems in maintaining charge pump pressure at port B for uninterrupted back pressure during dynamic braking, Eaton does not recommend the two speed motor where overrunning conditions may exist.

Performance Data Two Speed Motor — 2000 Series and 10,000 Series

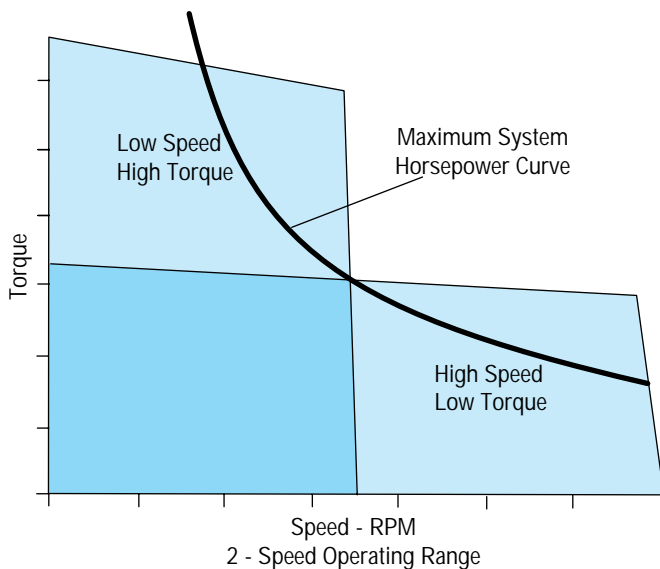
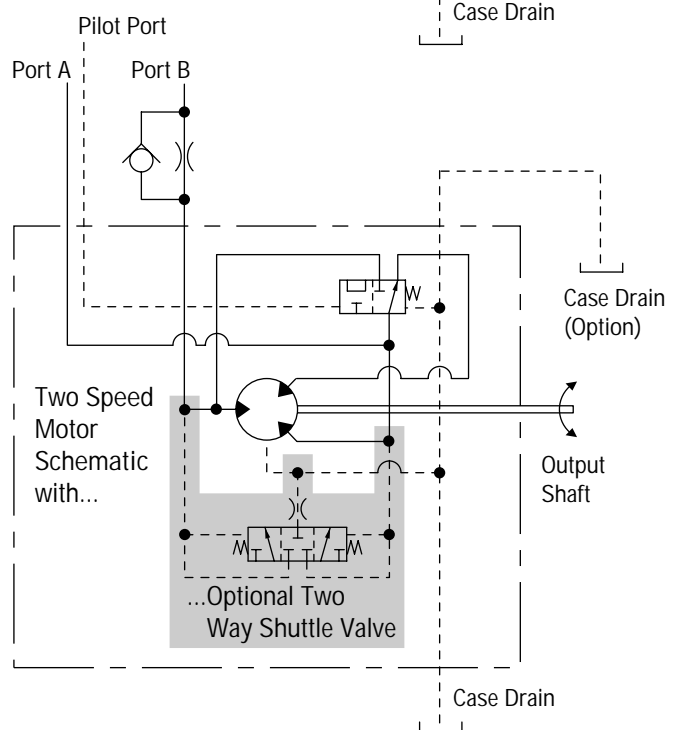
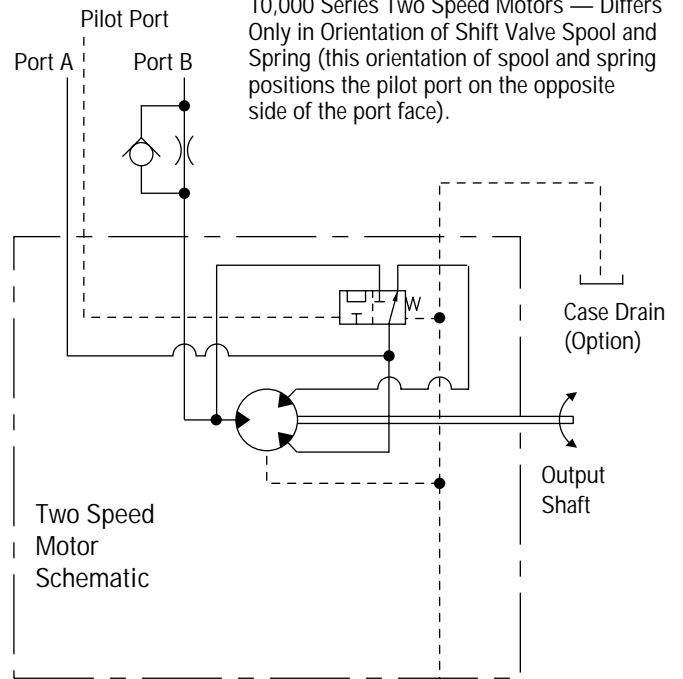
In the high speed mode torque values are approximately one half with twice the speed of the conventional 2000 Series or 10,000 Series single speed motors. In the low speed mode torque and speed values are the same as the conventional 2000 Series or 10,000 Series single speed motors, see Performance Data on pages 12-16 (2000 Series) and on pages 51 and 52 (10,000 Series). For Two Speed Motor Specifications, Dimensions, and Product Numbers see pages 62 through 68.

Two Speed Motor — 2000 Series and 10,000 Series

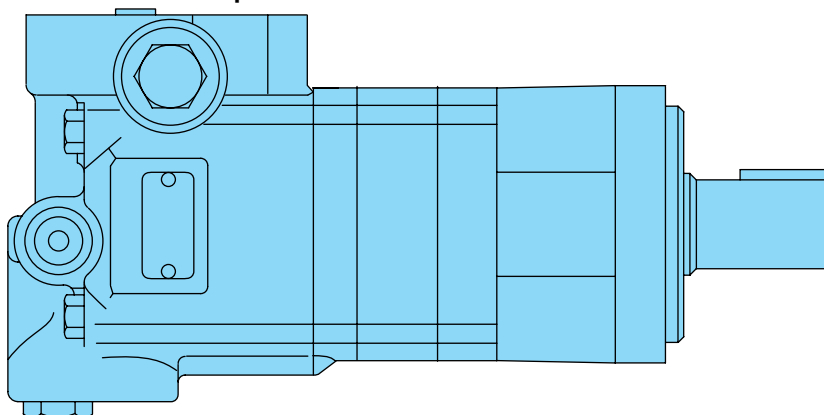
Pump Pressure and Return, and
Shaft Rotation Directional Control Valve



Schematic Diagram Below Also Applies to 10,000 Series Two Speed Motors — Differs Only in Orientation of Shift Valve Spool and Spring (this orientation of spool and spring positions the pilot port on the opposite side of the port face).



Specifications — Two Speed 2000 Series



Specification Data—2000 Series Two Speed

Displ. cm ³ /r. [in ³ /r]	HSLT	40	50	65	80	95	120	155	195	245	
		[2.45]	[3.1]	[4.0]	[4.8]	[5.95]	[7.45]	[9.35]	[12.0]	[15.0]	
	LSHT	80	100	130	160	195	245	305	395	490	
		[4.9]	[6.2]	[8.0]	[9.6]	[11.9]	[14.9]	[18.7]	[24.0]	[29.8]	
Max. Speed (RPM) @ Continuous Flow	HSLT	1000	1000	990	860	700	560	450	350	230	
		LSHT	500	500	495	430	350	280	225	175	115
Flow LPM [GPM]	HSLT	45 [12]	55 [15]	70 [19]	75 [20]	75 [20]	75 [20]	75 [20]	75 [20]	75 [20]	
		LSHT	45 [12]	55 [15]	70 [19]	75 [20]	75 [20]	75 [20]	75 [20]	75 [20]	75 [20]
Torque Nm [lb-in]	☆ 1-1/4 Inch or 32 mm Dia. Shaft	Continuous HSLT	100	125	165	195	240	300	380	365	448
			[880]	[1115]	[1450]	[1725]	[2150]	[2675]	[3350]	[3225]	[3970]
		Intermittent LSHT	145	185	240	240	300	375	440	445	486
			[1300]	[1660]	[2150]	[2150]	[2650]	[3330]	[3900]	[3940]	[4300]
Torque Nm [lb-in]	☆ 1-1/4 Inch or 32 mm Dia. Shaft	Continuous LSHT	235	295	385	455	540	660	760	770	845
			[2065]	[2630]	[3420]	[4040]	[4780]	[5850]	[6750]	[6840]	[7470]
		Intermittent HSLT	345	445	560	570	665	820	885	925	930
			[3040]	[3950]	[4970]	[5040]	[5890]	[7250]	[7820]	[8170]	[8225]
Pressure Δ Bar [Δ PSI]	☆ 1-1/4 Inch or 32 mm Dia. Shaft	Continuous	205 [3000]	205 [3000]	205 [3000]	205 [3000]	205 [3000]	205 [3000]	205 [3000]	155 [2250]	120 [1750]
			Intermittent	310 [4500]	310 [4500]	310 [4500]	260 [3750]	260 [3750]	260 [3750]	240 [3500]	190 [2750]

Maximum Case Pressure - without Case Drain * — 140 Bar [2000 PSI]

HSLT = High Speed Low Torque

LSHT = Low Speed High Torque

Maximum torque and flow must not occur simultaneously. For permissible continuous and intermittent operating combinations of pressure and flow refer to performance data on pages 12-16 (LSHT only).

☆ Maximum torque for 1 inch shaft — 395 Nm [3500 lb-in] Continuous and 485 Nm [4300 lb-in] intermittent.

* For continuous back pressure over 140 Bar [2000 PSI] use an external case drain. Install case drain lines so that the motor case remains filled at all times.

Maximum inlet pressure — 310 Bar [4500 PSI]. Do not exceed Δ pressure rating (see chart above)

* Maximum return pressure — 310 Bar [4500 PSI]. Do not exceed Δ pressure rating (see chart above)

Δ Bar [Δ PSI] — True pressure difference between inlet port and outlet port.

Continuous Rating — Motor may be run continuously at these ratings.

Intermittent Operation — 10% of every minute.

Recommended Fluids — Premium quality, anti-wear type hydraulic oil with a viscosity of not less than 70 SUS at operating temperature (see page 69).

Recommended Maximum System Operating Temp. — Is 82° C [180° F]

Recommended Filtration — per ISO Cleanliness Code, level 18/13

To assure best motor life, run motor for approximately one hour at 30% of rated pressure before application to full load. Be sure motor is filled with fluid prior to any load applications.

Dimensions — Two Speed Standard, Wheel, and Bearingless

Standard Rotation
Viewed from Shaft or Drive End
Port A Pressurized — CW
Port B Pressurized — CCW

Two Speed Standard Motor

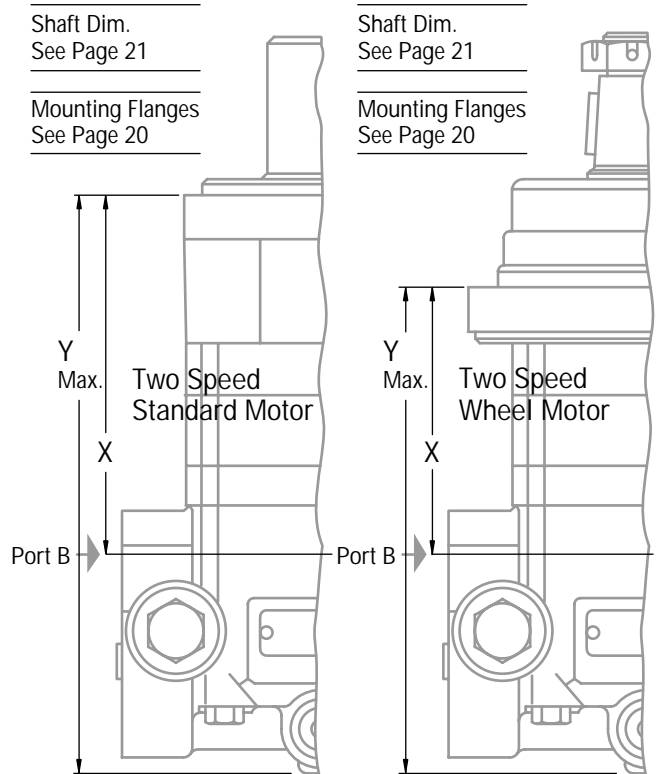
Displ. cm ³ /r [in ³ /r]	80 [4.9]	100 [6.2]	130 [8.0]	160 [9.6]	195 [11.9]	245 [14.9]	305 [18.7]	395 [24.0]	490 [29.8]
Dim. X mm [inch]	137,4 [5.41]	142,2 [5.60]	148,5 [5.85]	148,5 [5.85]	155,4 [6.12]	164,2 [6.47]	175,7 [6.92]	191,7 [7.55]	209,2 [8.24]
Dim. Y mm [inch]	232,0 [9.13]	236,5 [9.31]	242,9 [9.56]	242,9 [9.56]	249,7 [9.83]	258,9 [10.19]	270,1 [10.63]	286,1 [11.26]	303,3 [11.94]

Two Speed Wheel Motor

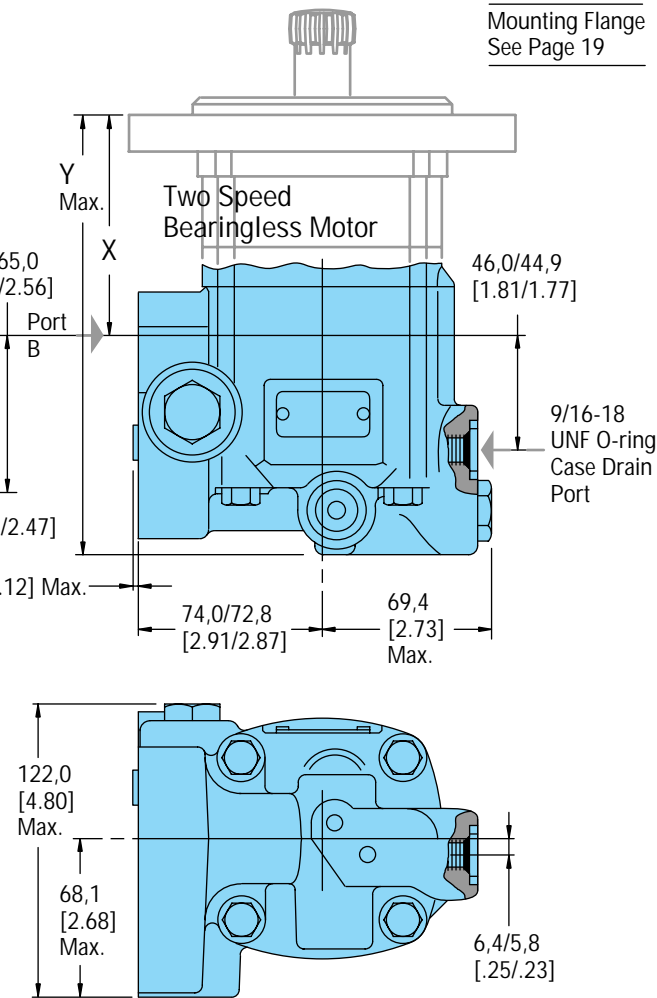
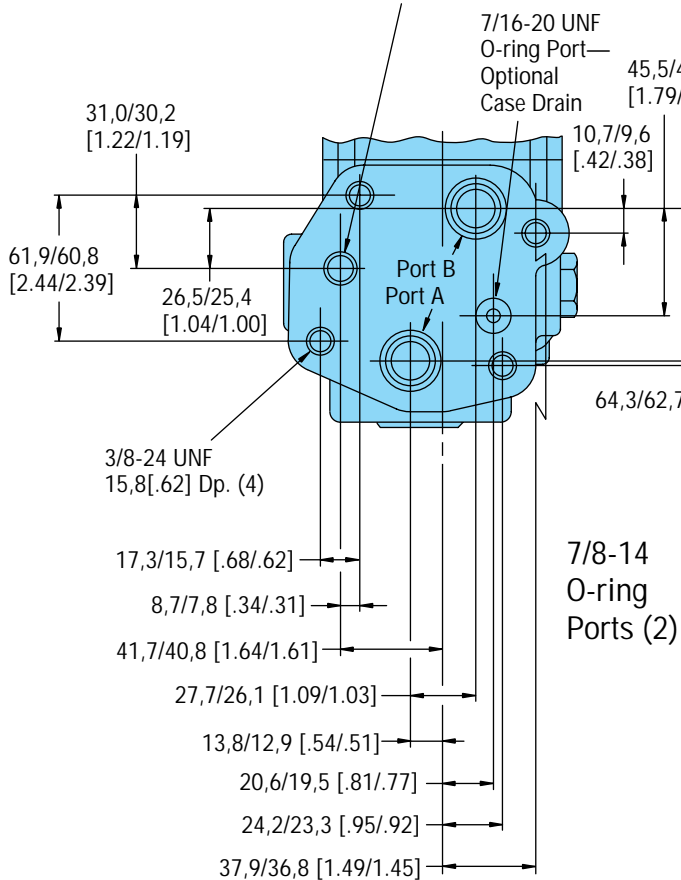
Dim. X mm [inch]	97,2 [3.83]	101,9 [4.02]	108,3 [4.27]	108,3 [4.27]	115,0 [4.53]	124,2 [4.89]	135,5 [5.34]	151,5 [8.97]	169,0 [9.66]
Dim. Y mm [inch]	191,8 [7.55]	196,4 [7.73]	202,7 [7.98]	202,7 [7.98]	209,6 [8.25]	218,5 [8.60]	229,9 [9.05]	245,9 [9.68]	263,1 [10.36]

Two Speed Bearingless Motor

Dim. X mm [inch]	79,3 [3.13]	84,1 [3.31]	90,3 [3.56]	90,3 [3.56]	97,3 [3.83]	106,8 [4.19]	117,6 [4.63]	133,6 [5.26]	151,1 [6.38]
Dim. Y mm [inch]	174,3 [6.86]	178,9 [7.04]	185,2 [7.29]	185,2 [7.29]	192,1 [7.56]	201,0 [7.91]	212,4 [8.36]	228,4 [8.99]	245,6 [9.67]



7/16-20 UNF-2B O-ring Port — Pilot Control
Pilot Port Pressurized 6,9 Δ Bar [100 Δ PSI]
High Speed Low Torque (HSLT)
Pilot Port Depressurized (Tank)
Low Speed High Torque (LSHT)



Product Numbers — Two Speed 2000 Series

Product Numbers—2000 Series Motors — Two Speed

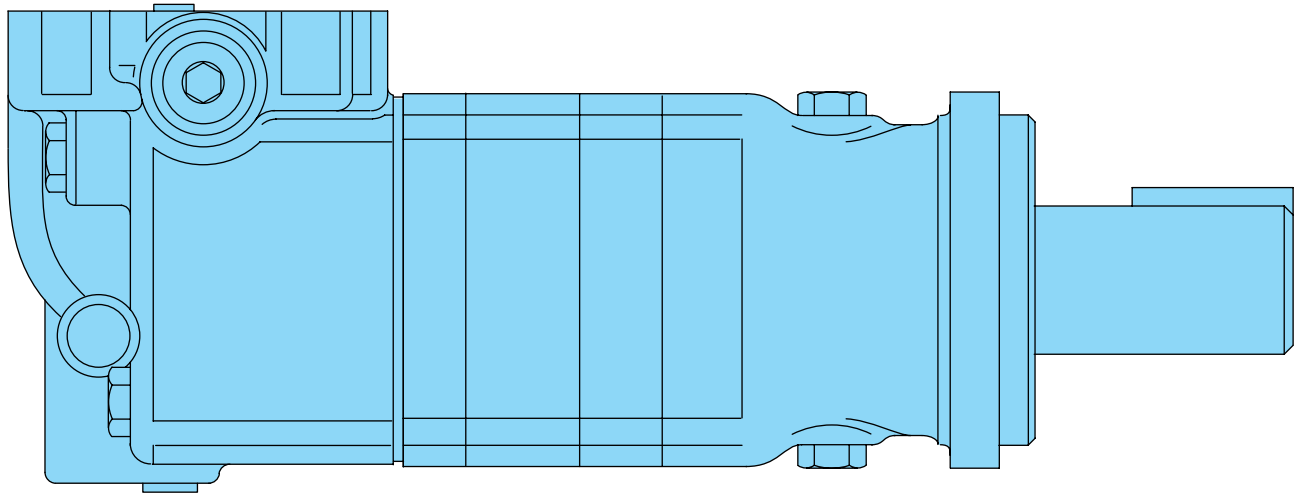
Use digit prefix —104-, 105-, or 106- plus four digit number from charts for complete product number—Example 106-2007.
Orders will not be accepted without three digit prefix.

Mounting	Shaft	Ports	Displ. cm ³ /r [in ³ /r] Product Number								
			80 [4.9]	100 [6.2]	130 [8.0]	160 [9.6]	195 [11.9]	245 [14.9]	305 [18.7]	395 [24.0]	490 [29.8]
2 Bolt SAE A Flange	1 inch Straight	7/8-14 O-ring Staggered	104-2001	-2002	-2003	-2004	-2005	-2006	-2007	-2008	—
	1-1/4 Inch Straight	7/8-14 O-ring Staggered	104-2009	-2010	-2011	-2012	-2013	-2014	-2015	-2016	—
	1-1/4 Inch 14 T Splined	7/8-14 O-ring Staggered	104-2017	-2018	-2019	-2020	-2021	-2022	-2023	-2024	—
Wheel Motor	1-1/4 Inch Tapered	7/8-14 O-ring Staggered	105-2001	-2002	-2003	-2004	-2005	-2006	-2007	-2008	—
	1-1/4 Inch 14 T Splined	7/8-14 O-ring Staggered	105-2009	-2010	-2011	-2012	-2013	-2014	-2015	-2016	—
Bearingless		7/8-14 O-ring Staggered	106-2001	-2002	-2003	-2004	-2005	-2006	-2007	-2008	—

106-2007

2000 Series Motors with a configuration *Not Shown* in the charts above: Contact your Eaton Representative.

Specifications — Two Speed 10,000 Series



Specification Data—10,000 Series Two Speed

Displ. cm ³ /r. [in ³ /r]	HSLT	169 [10.3]	239 [14.6]	332,7 [20.3]	470 [28.7]	
	LSHT	345 [21.0]	480 [29.3]	665 [40.6]	940 [57.4]	
Max. Speed (RPM) @ Continuous Flow	HSLT	750	630	500	400	
	LSHT	375	315	250	200	
Flow LPM [GPM]	HSLT	130 [35]	170 [45]	170 [45]	170 [45]	
	LSHT	130 [35]	170 [45]	170 [45]	170 [45]	
Torque Nm [lb-in]	HSLT	Continuous	440 [3900]	630 [5600]	905 [8000]	1175 [10400]
		Intermittent	585 [5200]	845 [7500]	1130 [10000]	1470 [13000]
Torque Nm [lb-in]	LSHT	Continuous	1015 [9000]	1470 [13000]	2090 [18500]	2710 [24000]
		Intermittent	1355 [12000]	1965 [17400]	2600 [23000]	3445 [30500]
Pressure Δ Bar [Δ PSI]		Continuous	205 [3000]	205 [3000]	205 [3000]	190 [2750]
		Intermittent	275 [4000]	275 [4000]	260 [3750]	240 [3500]

Maximum Case Pressure - without Case Drain * — 20 Bar [300 PSI]

HSLT = High Speed Low Torque

LSHT = Low Speed High Torque

Maximum torque and flow must not occur simultaneously. For permissible continuous and intermittent operating combinations of pressure and flow refer to performance data on pages 51-52 (LSHT only).

* For continuous back pressure over 20 Bar [300 PSI] use an external case drain. Install case drain lines so that the motor case remains filled at all times.

Maximum inlet pressure — 275 Bar [4000 PSI]. Do not exceed Δ pressure rating (see chart above)

* Maximum return pressure — 275 Bar [4000 PSI]. Do not exceed Δ pressure rating (see chart above)

Δ Bar [Δ PSI] — True pressure difference between inlet port and outlet port.

Continuous Rating — Motor may be run continuously at these ratings.

Intermittent Operation — 10% of every minute.

Recommended Fluids — Premium quality, anti-wear type hydraulic oil with a viscosity of not less than 70 SUS at operating temperature (see page 69).

Recommended Maximum System Operating Temp. — Is 82° C [180° F]

Recommended Filtration — per ISO Cleanliness Code, level 18/13

To assure best motor life, run motor for approximately one hour at 30% of rated pressure before application to full load. Be sure motor is filled with fluid prior to any load applications.

Dimensions — Two Speed 10,000 Series Standard, Wheel, and Bearingless

Two Speed Standard Motor

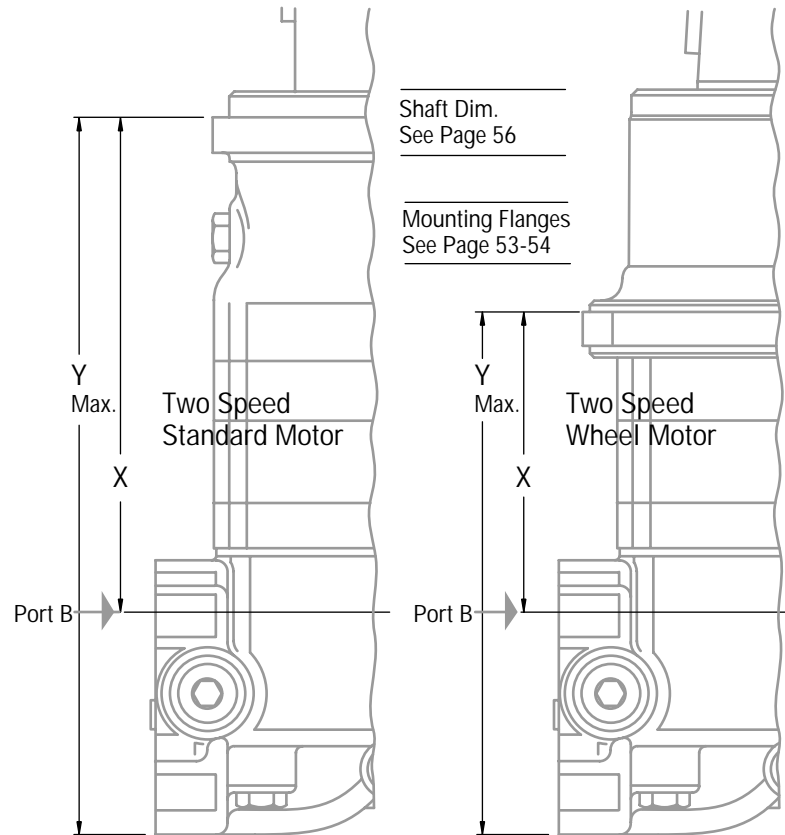
Displ. cm ³ /r [in ³ /r]	345 [21.0]	480 [29.2]	665 [40.6]	940 [57.4]
X Dim. mm [inch]	281,8 [11.09]	295,0 [11.61]	295,0 [11.61]	313,6 [12.34]
Y Dim. mm [inch]	392,7 [15.46]	405,4 [15.96]	405,4 [15.96]	423,9 [16.69]

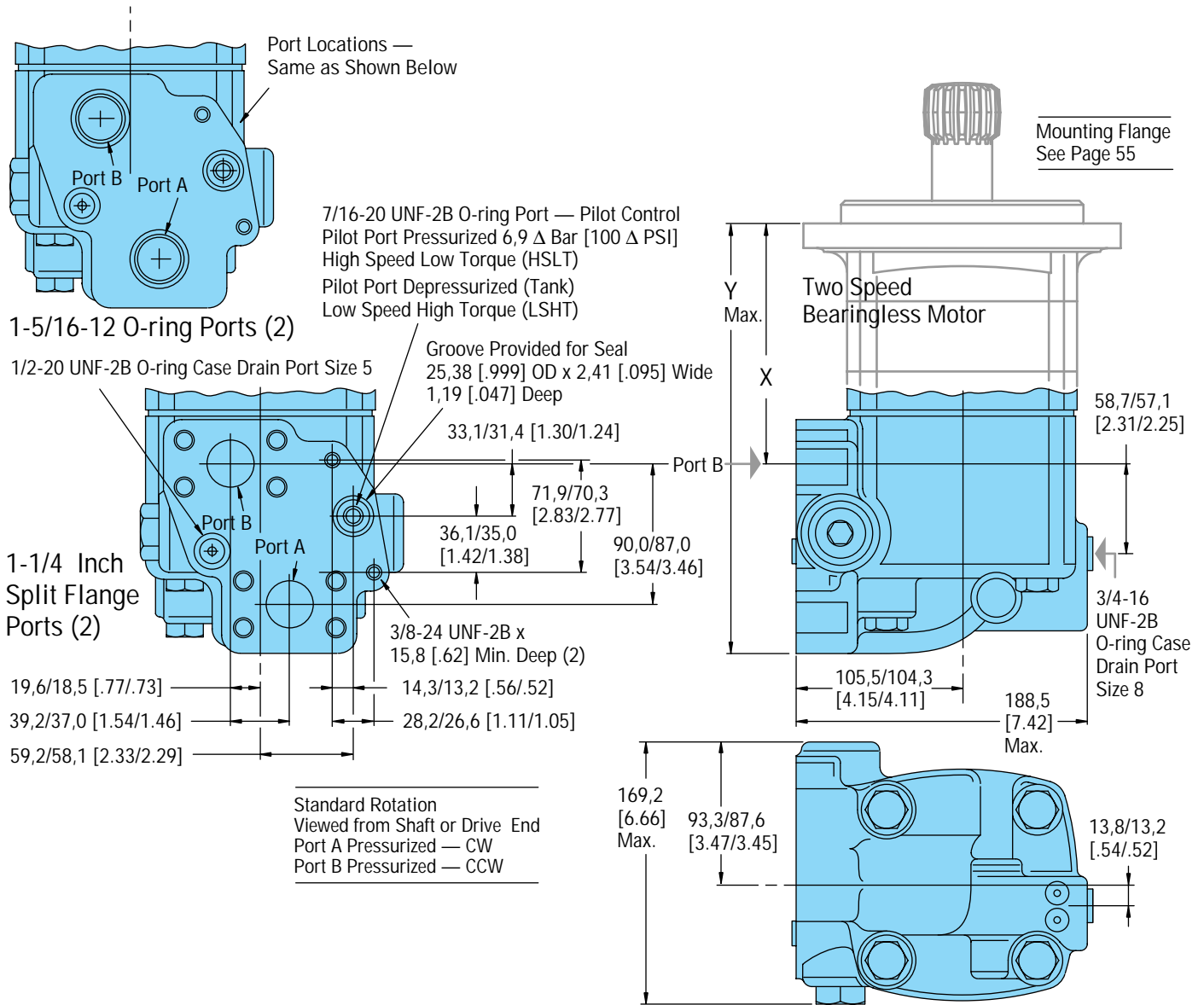
Two Speed Wheel Motor

X Dim. mm [inch]	166,4 [6.55]	179,6 [7.07]	179,6 [7.07]	197,8 [7.79]
Y Dim. mm [inch]	278,1 [10.95]	290,8 [11.45]	290,8 [11.45]	309,1 [12.17]

Two Speed Bearingless Motor

X Dim. mm [inch]	157,4 [6.20]	170,7 [6.72]	170,7 [6.72]	189,2 [7.45]
Y Dim. mm [inch]	265,5 [10.57]	281,2 [11.07]	281,2 [11.07]	299,5 [11.79]





Product Numbers — Two Speed 10,000 Series

Product Numbers—10,000 Series Motors—2 Speed

Use digit prefix —119-, 120-, or 121- plus four digit number from charts for complete product number—Example 121-2002.
Orders will not be accepted without three digit prefix.

Mounting	Shaft	Ports	Displ. cm ³ /r [in ³ /r] Product Number				
			345 [21.0]	480 [29.3]	665 [40.6]	940 [57.4]	
Standard	2-1/4 inch Straight	1-5/16 O-ring	119-2013	-2014	-2015	-2016	
		1-1/4 Split Flange	119-2001	-2002	-2003	-2004	
	2-1/4 Inch Tapered	1-5/16 O-ring	119-2017	-2018	-2019	-2020	
		1-1/4 Split Flange	119-2005	-2006	-2007	-2008	
	2-1/8 Inch 16 T Splined	1-5/16 O-ring	119-2021	-2022	-2023	-2024	
		1-1/4 Split Flange	119-2009	-2010	-2011	-2012	
	Wheel Motor	2-1/4 inch Straight	1-1/4 Split Flange	120-2005	-2006	-2007	-2008
			1-5/16 O-ring	120-2013	-2014	-2015	-2016
2-1/4 Inch Tapered		1-1/4 Split Flange	120-2001	-2002	-2003	-2004	
		1-5/16 O-ring	120-2017	-2018	-2019	-2020	
2-1/8 Inch 16 T Splined		1-1/4 Split Flange	120-2009	-2010	-2011	-2012	
		1-5/16 O-ring	120-2021	-2022	-2023	-2024	
Bearingless		1-5/16 O-ring	121-2005	-2006	-2007	-2008	
		1-1/4 Split Flange	121-2001	-2002	-2003	-2004	

121-2002

10,000 Series Motors with a configuration *Not Shown* in the charts above: Contact your Eaton Representative.

Fluid Recommendations

Char-Lynn Disc Valve Motors

Introduction

The ability of Eaton hydraulic components to provide the desired performance and life expectancy depends largely on the fluid used. The purpose of this section is to provide readers with the knowledge required to select the appropriate fluids for use in systems that employ Eaton hydraulic components.

One of the most important characteristics to consider when choosing a fluid to be used in a hydraulic system is viscosity. Viscosity choice is always a compromise; the fluid must be thin enough to flow easily but thick enough to seal and maintain a lubricating film between bearing and sealing surfaces. See chart below for viscosity requirements.

Viscosity and Temperature

Fluid temperature affects viscosity. In general, as the fluid warms it gets thinner and its viscosity decreases. The opposite is true when fluid cools. When choosing a fluid, it is important to consider the start-up and operating temperatures of the hydraulic system. Generally, the fluid is thick when the hydraulic system is started. With movement, the fluid warms to a point where a cooling system begins to operate. From then on, the fluid is maintained at the temperature for which the hydraulic system was designed. In actual applications this sequence varies; hydraulic systems are used in many environments from very cold to very hot. Cooling systems also vary from very elaborate to very simple, so ambient temperature may affect operating temperature. Equipment manufacturers who use Eaton hydraulic components in their products should anticipate temperature in their designs and make the appropriate fluid recommendations to their customers.

Cleanliness

Cleanliness of the fluid in a hydraulic system is extremely important. Eaton recommends that the fluid used in its hydraulic components be maintained at ISO Cleanliness Code 18/13 per SAE J1165. This code allows a maximum of 2500 particles per milliliter greater than 5 µm and a maximum of 80 particles per milliliter greater than 15 µm. Cleanliness requirements for specific products are given in the table below. OEM's and distributors who use Eaton hydraulic components in their products should provide for these requirements in their designs. A reputable filter supplier can supply filter information.

Char-Lynn Disc Valve Motors	Viscosity		ISO Cleanliness Requirements
	Minimum	Best Range	
	70 SUS 13 cSt	100-200 SUS 20-43 cSt	18/13

Additional Notes:

- Fluids too thick to flow in cold weather start-ups will cause pump cavitation and possible damage. Motor cavitation is not a problem during cold start-ups (with one exception — two speed motors).
- When choosing a hydraulic fluid, all the components in the system must be considered and the best viscosity range adjusted accordingly. For example, when a medium duty piston pump is combined with a Geroler motor the best viscosity range becomes 100 - 150 SUS [20 - 32 cSt] and viscosity should never fall below 70 SUS [13 cSt].

Fluid Maintenance

Maintaining correct fluid viscosity and cleanliness level is essential for all hydraulic systems. Since Eaton hydraulic components are used in a wide variety of applications it is impossible for Eaton to publish a fluid maintenance schedule that would cover every situation. Field testing and monitoring are the only ways to get accurate measurements of system cleanliness. OEM's and distributors who use Eaton hydraulic components should test and establish fluid maintenance schedules for their products. These maintenance schedules should be designed to meet the viscosity and cleanliness requirements laid out in this document.

Fluid Selection

Premium grade petroleum based hydraulic fluids will provide the best performance in Eaton hydraulic components. These fluids typically contain additives that are beneficial to hydraulic systems. Eaton recommends fluids that contain anti-wear agents, rust inhibitors, anti-foaming agents, and oxidation inhibitors. Premium grade petroleum based hydraulic fluids carry an ISO VG rating.

SAE grade crankcase oils may be used in systems that employ Eaton hydraulic components, but it should be noted that these oils may not contain all of the recommended additives. This means using crankcase oils may increase fluid maintenance requirements.

Hydraulic fluids that contain V.I. (viscosity index) improvers, sometimes called multi-viscosity oils, may be used in systems that employ Eaton hydraulic components. These V.I. improved fluids are known to "shear-down" with use. This means that their actual viscosity drops below the rated value. Fluid maintenance must be increased if V.I. improved fluids are used. Automotive automatic transmission fluids contain V.I. improvers.

Synthetic fluids may be used in Eaton hydraulic components. A reputable fluid supplier can provide information on synthetic fluids. Review applications that require the use of synthetic fluids with your Eaton representative.

- If the natural color of the fluid has become black it is possible that an overheating problem exists.
- If the fluid becomes milky a water contamination problem may exist.
- Take fluid level reading when the system is cold.
- Contact your Eaton representative if you have specific questions about the fluid requirements of Eaton hydraulic components.

Motor Application Information — Vehicle Drive Calculations

Step One — Calculate Motor Speed (RPM)

$$\text{RPM} = \frac{2.65 \times \text{KPH} \times G}{R_m} \quad \text{RPM} = \frac{168 \times \text{MPH} \times G}{R_1}$$

where KPH = vehicle speed (kilometers per hour)
 where MPH = vehicle speed (miles per hour)
 R_m = rolling radius of tires (meter)
 R₁ = rolling radius of tires (inch)
 G = gear reduction ratio (if any) between motors and wheels. If no gear box or other gear reduction devices are used G = 1.

If vehicle speed is expressed in m/second, multiply by 3.6 to convert to KPH.

If vehicle speed is expressed in ft./second, divide by 1.47 to convert to MPH.

Step Two — Determine Rolling Resistance

Rolling resistance (RR) is the force required to propel a vehicle over a particular surface. The values in Table 1 are typical of various surfaces per 1000 lb. of vehicle weight.

$$\text{RR} = \text{GVW} \times \rho \text{ (kg) (lb)}$$

where GVW = gross (loaded) vehicle weight lb/Kg
 ρ = value from Table 1

Table 1 - Rolling Resistance Coefficients for Rubber Tires on Various Surfaces

Surface	ρ
Concrete, excellent	.010
Concrete, good	.015
Concrete, poor	.020
Asphalt, good	.012
Asphalt, fair	.017
Asphalt, poor	.022
Macadam, good	.015
Macadam, fair	.022
Macadam, poor	.037
Snow, 2 inch	.025
Snow, 4 inch	.037
Dirt, smooth	.025
Dirt, sandy	.040
Mud	.037 to .150
Sand, Gravel	.060 to .150
Sand, loose	.160 to .300

Step Three — Tractive Effort to Ascend Grade

The largest grade a vehicle can ascend is called its "gradability." Grade is usually expressed as a percent rather than in degrees. A rise of one meter in ten meters or one foot rise in ten feet of travel is a 1/10 or 10 percent grade.

$$\text{GR} = \text{GVW} (\sin \theta + \rho \cos \theta)$$

Table 2

Comparison Grade (%)	Table Slope (Degrees)
1%	0°35'
2%	1° 9'
5%	2°51'
6%	3°26'
8%	4°35'
10%	5°43'
12%	6°5'
15%	8°31'
20%	11°19'
25%	14° 3'
32%	18°
60%	31°

Step Four — Determine Acceleration Force (FA)

The force (FA) required to accelerate from stop to maximum speed (KPH) or (MPH) in time (t) seconds can be obtained from the following equation:

Step Five — Determine Drawbar Pull

Drawbar Pull (DP) is total force available at the drawbar or "hitch" after the above forces have been subtracted from the total propelling force produced by the hydraulic motors. This value is established as either:

$$\text{FA} = \frac{\text{KPH} \times \text{GVW} \text{ (kg)}}{3.6 \text{ t}}$$

FA = Acceleration Force (Newton)
 t = Time (Seconds)

$$\text{FA} = \frac{\text{MPH} \times \text{GVW} \text{ (lb)}}{22 \text{ t}}$$

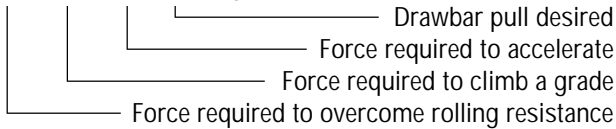
FA = Acceleration Force (lb)
 t = Time (Seconds)

1. A goal or objective of the designer.
2. A force required to pull a trailer (Repeat steps two through four above using trailer weight and add the three forces together to obtain DP).

Step Six — Total Tractive Effort

The tractive effort (TE) is the total force required to propel the vehicle and is the sum of the forces determined in Steps 2 through 5.

$$TE = RR + GR + FA + DP \text{ (Kg. or lb.)}$$



Wind resistance forces can usually be neglected. However, it may be wise to add 10% to the above total to allow for starting resistances caused by friction in bearings and other mechanical components.

Step Seven — Calculate Hydraulic Motor Torque (T)

$$T = \frac{TE \times R_m}{N \times G \times E_g} \text{ (Nm / Motors)}$$

$$T = \frac{TE \times R_1}{N \times G \times E_g} \text{ (lb-in / Motors)}$$

where N = number of driving motors
Eg = gear box mechanical efficiency

Step Eight—Wheel Slip

If the torque required to slip the wheel (TS) is less than the torque calculated in Step 7, the performance objectives cannot be achieved.

$$TS = \frac{W \times f \times R_m}{G \times E_g} \text{ (Nm / Motor)}$$

$$TS = \frac{W \times f \times R_1}{G \times E_g} \text{ (lb-in / Motor)}$$

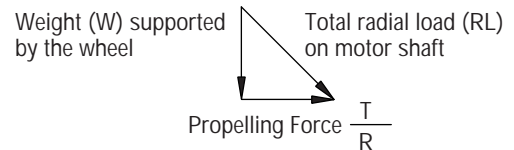
Where: f = coefficient of friction
W = loaded vehicle weight over drive wheel

	Coefficient of friction (f)
Steel on steel	0.15 to 0.20
Rubber tire on dirt	0.5 to 0.7
Rubber tire on asphalt	0.8 to 1.0
Rubber tire on concrete	0.8 to 1.0
Rubber tire on grass	0.4

It may be desirable to allow the wheel to slip to prevent hydraulic system overheating when excessive loads are imposed should the vehicle stall. In this case TS should be just slightly larger than T.

Step Nine — Motor Radial Load Carrying Capacity

When a motor is used to drive a vehicle with the wheel mounted directly on the motor shaft or rotating hub, the Total Radial Load (RL) acting on the motor shaft is the vector summation of two forces acting at right angles to each other.



$$RL = \sqrt{W^2 + \left(\frac{T}{R}\right)^2}$$

Refer to radial load rating of each motor (see table of catalog contents page 10 for page listing of the Shaft Side Load Capacity for each motor series).

Shaft Torque

$$T = \frac{q \Delta P}{2\pi} \text{ Nm} = \frac{\text{bar} \times \text{cm}^3/\text{rev}}{62.8} = \frac{\text{PSI} \times \text{in}^3/\text{rev}}{6.28} = \text{lb-in}$$

Shaft Speed

$$\text{RPM} = \frac{\text{Flow}}{\text{Displacement}} = \frac{1000 \times \text{l/min}}{\text{cm}^3/\text{rev}} \text{ RPM} = \frac{231 \times \text{GPM}}{\text{in}^3/\text{rev}}$$

Power (into motor)

$$Kw = \frac{\text{bar} \times \text{l/min}}{600} \text{ HP} = \frac{\text{PSI} \times \text{GPM}}{1714}$$

Power (out of motor)

$$Kw = \frac{\text{Nm} \times \text{RPM}}{9549} \text{ HP} = \frac{\text{lb-in} \times \text{RPM}}{63,025}$$

- where: Kw = Kilowatt
HP = Horsepower
LPM = Liters per Minute
GPM = Gallons per Minute
Nm = Newton Meters
lb-in = Pound inch
Bar = 10 Newtons per Square Centimeter
PSI = Pounds per Square Inch
q = Displacement

Model Code for 2000 Series Motors

The following 14-digit coding system has been developed to identify all of the configuration options for the 2000 Series motor. Use this model code to specify a motor with the desired features. All 14-digits of the code must be present when ordering. You may want to photocopy the matrix below to ensure that each number is entered in the correct box.

Model Code — 2000 Series Disc Valve Motor

1	2	3	4	5	6	7	8	9	10	11	12	13	14
M	0	2										0	0

Position 1 Product Series

M Motor

Position 2, 3 2000 Series

02 2000 Series

Position 4, 5 Displacement cm³/r [in³/r]

05 80 [4.9]

06 100 [6.2]

08 130 [8.0]

10 160 [9.6]

12 195 [11.9]

15 245 [14.9]

19 305 [18.7]

24 395 [24.0]

30 490 [29.8]

Position 6 Mounting Flange

D 4 Bolt (Bearingless) 101,6 [4.00] Pilot Dia. and 13,59 [0.535] Dia. Mounting Holes on 127,0 [5.00] Dia. B.C.

C 2 Bolt SAE A (Std.) 82,5 [3.25] Pilot Dia. and 13,59 [0.535] Dia. Mtg. Holes on 106,4 [4.19] Dia. B.C.

B 4 Bolt (Wheel) 107,9 [4.25] Pilot Dia. and 13,59 [0.535] Dia. Mounting Holes on 147,6 [5.81] Dia. B.C.

H 4 Bolt (Standard) 82,5 [3.25] Pilot Dia. and 14,59 [0.575] Dia. Mounting Holes on 106,4 [4.19] Dia. B.C.

J 4 Bolt Magneto (Std.) 82,5 [3.25] Pilot Dia. and 13,59 [0.535] Dia. Mtg. Holes on 106,4 [4.19] Dia. B.C.

F 2 Bolt SAE B (Std.) 101,6 [4.00] Pilot Dia. and 14,27 [0.562] Dia. Mtg. Holes on 146,0 [5.75] Dia. B.C.

P 4 Bolt (wheel compatible for HAYES BRAKE) 107,9 [4.25] Pilot Dia. and 13,59 [0.535] Dia. Mounting Holes on 147,6 [5.81] Dia. B.C. with Turned Down Housing to 88,9 [3.50] Dia.

Position 7, 8 Output Shaft

00 Bearingless

01 1 inch Dia. Straight with Woodruff Key, 1/4-20 Threaded Hole and 38,4 [1.51] Max. Coupling Length

02 1-1/4 inch Dia. Straight with Straight Key, 3/8-16 Threaded Hole and 47,3 [1.86] Max. Coupling Length

23 32 mm dia. Straight with Straight Key, M8 x 1,25 -6H Threaded Hole and 56,4 [2.22] Max. Coupling Length

04 1-1/4 inch Dia. Splined 14 T, 3/8-16 Threaded Hole and 33,0 [1.30] Min. Full Spline Length and 45,5 [1.79] Max. Coupling Length

03 1-1/4 inch Dia. Tapered with Straight Key and Nut

05 1 inch SAE 6B Splined 6T, 1/4-20 Threaded Hole and 22,8 [0.90] Min. Full Spline Length and 28,8 [1.13] Max. Coupling Length

07 7/8 inch Dia. Splined 13T, 15,2 [0.60] Min. Full Spline Length and 30,8 [1.21] Max. Coupling Length

24 1-1/4 inch Dia. Straight with Straight Key, 3/8-16 Threaded Hole and Corrosion Resistant (seal area to shaft end)

25 1-1/4 inch Dia. Straight with Straight Key and Nut, Corrosion Resistant (seal area to shaft end)

26 25 mm Dia. Straight with Straight Key, M8 x 1,25 -6H Threaded Hole and 38,1 [1.50] Max. Coupling Length

Position 9 Port Type

A 7/8-14 O-ring (Staggered) with 7/16-20 O-ring Case Drain

J G 1/2 (BSP) (Staggered) with G 1/4 (BSP) Case Drain

B Manifold Mount with 3/8-16 UNC Mounting Threads (3) and 7/16-20 O-ring Case Drain

G Manifold Mount with M10 x 1,5 -6H Mounting Threads (3) and G 1/4 (BSP) Case Drain

H 1-1/16 - 12 O-ring (Positioned 180° Apart) with 7/16-20 O-ring Case Drain

F 7/8-14 O-ring (End Ports) with 7/16-20 O-ring Case Drain (Rear)

L 7/8-14 O-ring (Staggered) with 7/16-20 O-ring Case Drain and Hot Oil Shuttle (Two Way) Valve

Position 10, 11 Special Features (Hardware)

00 None

01 Flange Rotated 90°

11 Viton[®] Shaft Seals

02 Viton Seals

04 Free Running Geroler

45 Speed Sensor

28 Seal Guard

Position 12 Paint/Special Packaging

0 No Paint

A Painted Low Gloss Black

B Corrosion Protected

Position 13 Eaton Assigned Code when Applicable

0 Assigned Code

Position 14 Eaton Assigned Design Code

0 Assigned Design Code

Model Code for 4000 Series Motors

The following 14-digit coding system has been developed to identify all of the configuration options for the 4000 Series Motor. Use this model code to specify a motor with the desired features. All 14-digits of the code must be present when ordering. You may want to photocopy the matrix below to ensure that each number is entered in the correct box.

Model Code — 4000 Series Disc Valve Motors

1	2	3	4	5	6	7	8	9	10	11	12	13	14
M	0	4										0	0

Position 1 Product Series

M Motor

Position 2, 3 4000 Series

04 4000 Series

Position 4, 5 Displacement cm³/r [in³/r]

07 110 [6.7]

08 130 [7.9]

10 160 [9.9]

12 205 [12.5]

15 245 [15.0]

19 310 [19.0]

24 395 [24.0]

30 495 [30.0]

38 625 [38.0]

Position 6 Mounting Flange

A 4 Bolt (Bearingless 127,0 [5.00] Pilot Dia. and 14,27 [.562] Dia. Mounting Holes 161,9 [6.38] Dia. B.C.

B 4 Bolt (SAE B) (Standard) 101,6 [4.00] Pilot Dia. and 14,7 [.58] Mounting Slots on 127,0 [5.00] Dia. B.C.

C 4 Bolt (Wheel) 139,7 [5.50] Pilot Dia. and 14,3 [.56] Dia. Mounting Holes on 165,1 [6.50] Dia. B.C.

F 4 Bolt (SAE C) (Standard) 127,0 [5.00] Pilot Dia. and 14,3 [.56] Dia. Mounting Holes on 161,9 [6.38] Dia. B.C.

Position 7, 8 Output Shaft

00 Bearingless

01 1-1/4 inch Dia. Straight with Straight Key, 3/8-16 Threaded Hole and 53,1 [2.09] Max. Coupling Length

02 1-5/8 inch Dia. Tapered with Straight Key and 1-1/4 - 18 UNEF Slotted Hex. Nut

03 1-1/4 inch Dia. Splined 14T with 38,1 [1.50] Min. Full Spline Length and 53,1 [2.09] Max. Coupling Length

13 1-1/2 inch Dia. Splined 17T with 31,2 [1.23] Min. Full Spline Length

14 40 mm Dia. Straight with Straight Key, M12 x 1,75 - 6H Threaded Hole

Position 9 Port Type

B 1-1/16 - 12 O-ring with 7/16-20 O-ring Case Drain and Check Valve

C G 3/4 (BSP) O-ring with G 1/4 (BSP) O-ring Case Drain and Check Valve

D 3/4 inch 4 Bolt Split Flange with 7/16-20 O-ring Case Drain and Check Valve

A 7/8-14 O-ring with 9/16-18 O-ring Case Drain with Hot Oil Shuttle Valve, Two Way Shuttle Unless Changed (see 04 and 05 below)

H M22 x 1,5-6H (ISO) O-ring with M12 x 1,5-6H O-ring Case Drain with Shuttle Valve, Two Way Shuttle Unless Changed (see 04 and 05 below)

Position 10, 11 Special Features (Hardware)

00 None

01 Viton Shaft Seal

07 Viton Seals

04 One-Way Shuttle, Open for CW Output Shaft Rotation

05 One-Way Shuttle, Open for CCW Output Shaft Rotation

13 Seal Guard

17 Speed Sensor

Position 12 Paint/Special Packaging

0 No Paint

A Painted Low Gloss Black

C Corrosion Protected

Position 13 Eaton Assigned Code when Applicable

0 Assigned Code

Position 14 Eaton Assigned Design Code

0 Assigned Design Code

Model Code for 6000 Series Motors

The following 14-digit coding system has been developed to identify all of the configuration options for the 6000 Series Motor. Use this model code to specify a motor with the desired features. All 14-digits of the code must be present when ordering. You may want to photocopy the matrix below to ensure that each number is entered in the correct box.

Model Code — 6000 Series Disc Valve Motors

1	2	3	4	5	6	7	8	9	10	11	12	13	14
M	0	6										0	0

Position 1 Product Series

M Motor

Position 2, 3 6000 Series

06 6000 Series

Position 4, 5 Displacement cm³/r [in³/r]

12 195 [11.9]

15 245 [15.0]

19 310 [19.0]

24 390 [23.9]

30 490 [30.0]

38 625 [38.0]

60 985 [60.0]

Position 6 Mounting Flange

A 4 Bolt (Bearingless 127,0 [5.00] Pilot Dia. and 14,3 [.56] Dia. Mounting Holes 161,9 [6.38] Dia. B.C.

B 4 Bolt (SAE CC) (Standard) 127,0 [5.00] Pilot Dia. and 14,3 [.56] Mounting Holes on 161,9 [6.38] Dia. B.C.

C 4 Bolt (Wheel) 139,7 [5.50] Pilot Dia. and 14,3 [.56] Dia. Mounting Holes on 184,1 [7.25] Dia. B.C.

Position 7, 8 Output Shaft

00 Bearingless

01 1-1/2 inch Dia. Straight with Straight Key, 3/8-16 Threaded Hole and 56,7 [2.23] Max. Coupling Length

02 1-3/4 inch Dia. Tapered with Straight Key and 1-1/4 - 18 UNEF Slotted Hex. Nut

03 1-1/2 inch Dia. Splined 17T with 40,3 [1.59] Min. Full Spline Length and 3/8-16 Threaded Hole

10 40 mm Dia. Straight with Straight Key, M12 x 1,75-6H Threaded Hole

Position 9 Port Type

A 1-5/16 - 12 O-ring with 7/16-20 O-ring Case Drain and Check Valve

B 3/4 inch 4 Bolt Split Flange with 7/16-20 O-ring Case Drain and Check Valve

C G 1 (BSP) O-ring with G 1/4 (BSP) O-ring Case Drain and Check Valve

D 1- 5/16-12 O-ring with 9/16-18 O-ring Case Drain and Shuttle (Two Way) Valve

Position 10, 11 Special Features (Hardware)

00 None

10 Viton Shaft Seal

07 Viton Seals

14 Seal Guard

21 Speed Sensor

Position 12 Paint/Special Packaging

0 No Paint

A Painted Low Gloss Black

B Corrosion Protected

Position 13 Eaton Assigned Code when Applicable

0 Assigned Code

Position 14 Eaton Assigned Design Code

0 Assigned Design Code

Model Code for 10,000 Series Motors

The following 14-digit coding system has been developed to identify all of the configuration options for the 10000 Series Motor. Use this model code to specify a motor with the desired features. All 14-digits of the code must be present when ordering. You may want to photocopy the matrix below to ensure that each number is entered in the correct box.

Model Code — 10,000 Series Disc Valve Motors

1	2	3	4	5	6	7	8	9	10	11	12	13	14
M	1	0										0	0

Position 1 Product Series

M Motor

Position 2, 3 10 000 Series

10 10 000 Series

Position 4, 5 Displacement cm³/r [in³/r]

20 345 [21.0]

29 480 [29.2]

40 665 [46.0]

57 940 [57.4]

Position 6 Mounting Flange

A 4 Bolt (Std.): Dia. 127,0 [5.00] Pilot 16,76 [.660]
Mounting Holes on 161,92 [6.375] Dia. Bolt Circle

B 4 Bolt (Wht.): Dia. 177,8 [7.00] Pilot 16,76 [.660]
Mounting Holes on 209,55 [8.250] Dia. Bolt Circle

C 4 Bolt (Brgl.): Dia. 152,4 [6.00] Pilot 20,70 [.815]
Mounting Holes on 228,60 [9.000] Dia. Bolt Circle

Position 7, 8 Output Shaft

01 2-1/4 inch Dia. Straight with 12,7 [.50] Square Key x
63,5 [2.50] and 1/2 - 20 Threaded Hole

02 2-1/4 inch Dia. Tapered with 14,3 [.56] Square Key x
50,8 [2.00] and 1-1/2 - 18 UNEF-2A Threaded Shaft
End and Slotted Hex Nut

03 2-1/8 inch 16 Tooth Splined with 52,1 [2.05] Min.
Full Spline Length 1/2 - 20 UNF Threaded Hole

Position 9 Port Type

A 1-5/16—12 UN O-ring End Ports (Size -16), 9/16-18
UNF O-ring Case Drain Port (Size -6)

B 1-1/4 Inch Split Flange Ports, 9/16 - 18 UNF O-ring
Case Drain Port (Size -6)

Position 10, 11 Special Features (Hardware)

00 None

01 Free Running Geroler

03 Reverse Rotation

Position 12 Paint/Special Packaging

0 No Paint

A Painted Low Gloss Black

Position 13 Eaton Assigned Code when Applicable

0 Assigned Code

Position 14 Eaton Assigned Design Code

0 Assigned Design Code



Eaton Corporation is a global manufacturer of highly engineered products that serve industrial, vehicle, construction, commercial and semiconductor markets. Principal products include electrical power distribution and control equipment, truck drivetrain systems, engine components, hydraulic products, ion implanters and a wide variety of controls. Headquartered in Cleveland, the company has 49,000 employees and 143 manufacturing sites in 26 countries around the world. Sales for 1997 were \$7.6 billion.

Information contained in this catalog is accurate as of the publication date and is subject to change without notice. Performance values are typical values. Customers are responsible for selecting products for their applications using normal engineering methods.

Eaton Corporation
Hydraulics Division
15151 Hwy. 5
Eden Prairie, MN 55344
Telephone: 612/937-7254
Fax: 612/937-7130

Eaton Ltd.
Hydraulics Division
Glenrothes, Fife
Scotland, KY7 4NW
Telephone: [+44] (0)1592-771-771
Fax: [+44] (0)1592-773-184

Eaton B.V.
Boeing Avenue 11
1119 PC Schiphol-Rijk
The Netherlands
Telephone: [+31] (0)20-655 6700
Fax: [+31] (0)20-655 6800

Sumitomo Eaton Hydraulic Co.
5 Temasek Blvd.
42-01 Suntec Tower Three
Singapore 03988
Telephone: [+65] 832-7727
Fax: [+65] 832-7733

Sumitomo Eaton
Hydraulic Company Ltd.
Ooi-Cho Kameoka-Shi
621-0017 Kyoto
Japan
Telephone: [+81] 771-22-9601
Fax: [+81] 771-29-2020

Eaton Ltd.
7th Floor, Woo Duk Building
832-2 Yeoksam-Dong, Kangnam-Ku
Soeul 135-750
Korea
Telephone: [+82] 2-557-0595
Fax: [+82] 2-557-1634

Eaton Hydraulics (Shanghai) Co. Ltd.
388 Aidu Road, Waigaogiao FTZ
Pudong New Area
Shanghai 200137
Peoples Republic of China
Telephone: [+86] 21-5046 0758
Fax: [+86] 21-5046 0767

Jining Eaton Hydraulic Co. Ltd.
6 Ji Da Road
Jining City
Shandong Province 272131
Peoples Republic of China
Telephone: [+86] 537-2221288
Fax: [+86] 537-2221557



Quality System Certified
Products in this catalog are manufactured
in an ISO-9001-certified site.

www.eatonhydraulics.com

