

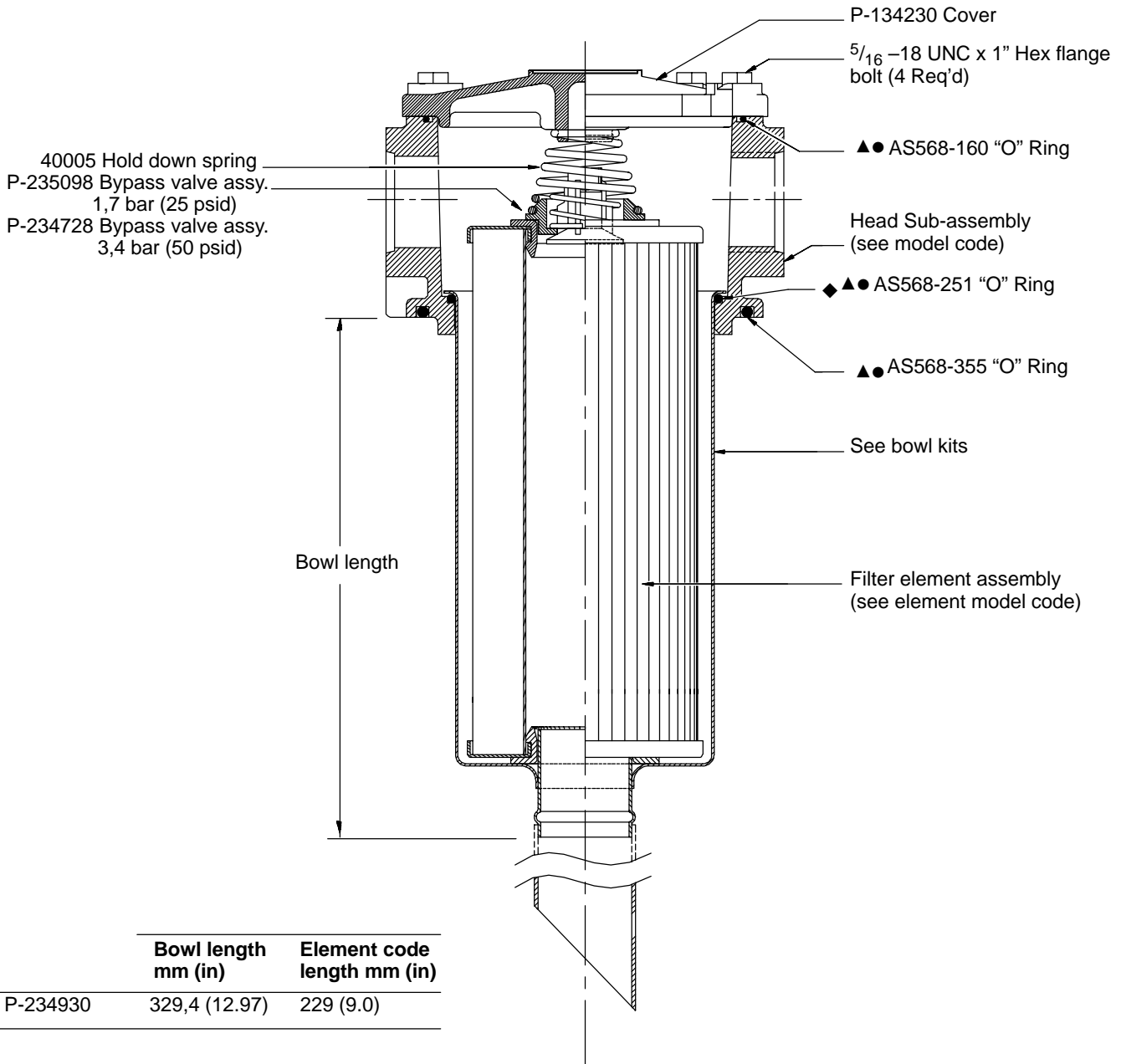
# Vickers®

## Filters



### Service Data

## High Performance/Pressure Filter Flows to 189 L/min (50 USgpm) HL15 Series



NOTE: Bowl kits contain Buna-N seals, to order Viton seals, replace **B** in partnumber with a **V**.

Example:

From: P-133237-03**B**, for Buna.

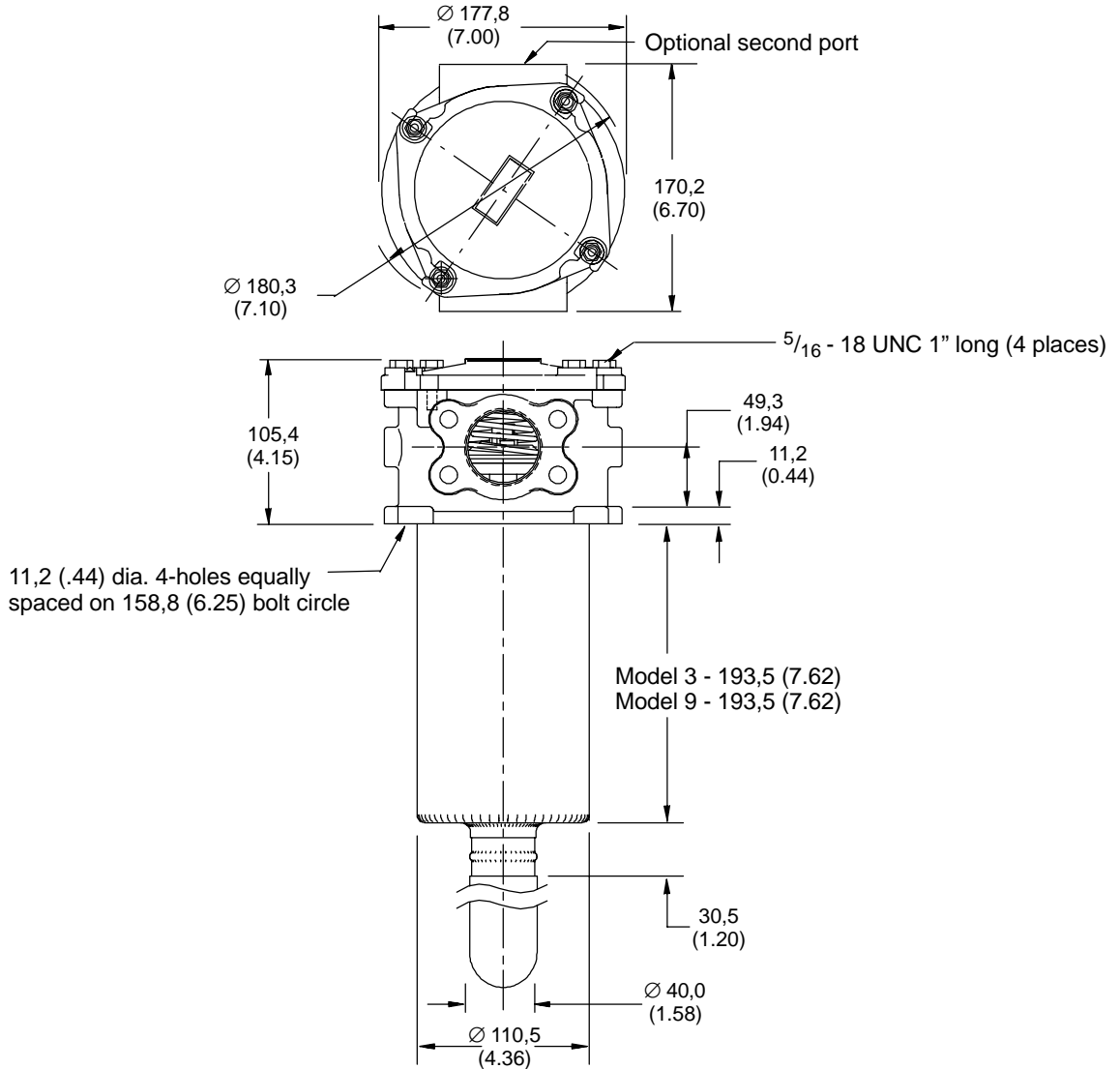
To: P-133237-03**V**, for Viton.

- ▲ Included in seal kit P-233055-01 Buna
- Included in seal kit P-233055-03 Viton
- ◆ Included in Bowl kit P234930

Bowl kits contain (Bowl, "O" Ring)

# HL15 Housing Dimensions

mm (inch)



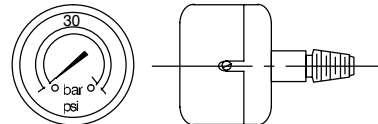
## Accessories

### Electrical Switch

- |                                       |             |
|---------------------------------------|-------------|
| Switch 1,2 bar (18 psi) Brad Harrison | P-234117-01 |
| Switch 2,4 bar (35 psi) Brad Harrison | P-234118-01 |
| Switch 1,2 bar (18 psi) DIN           | P-233051-01 |
| Switch 2,4 bar (35 psi) DIN           | P-233573-01 |

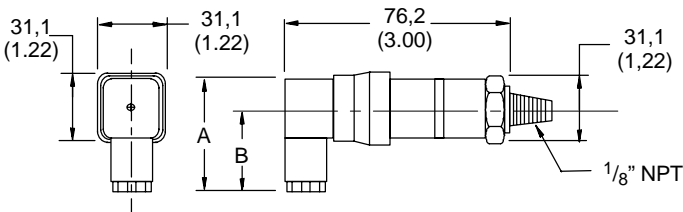
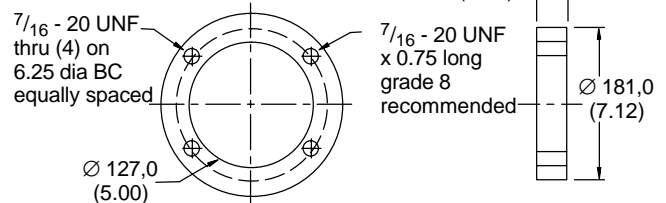
### Gauge

- |                  |                                  |
|------------------|----------------------------------|
| HL15 P-232965-01 | 0-4,1 bar (0-60 psi) color coded |
| P-232974-01      | 0-14 bar (0-200 psi)             |



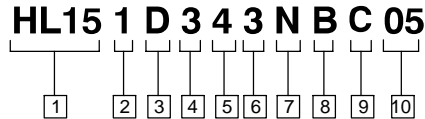
### Weld Flange

- |      |             |
|------|-------------|
| HL15 | P-232964-01 |
|------|-------------|



Connector	A	B
DIN 43650	48,2 (1.90)	34,9 (1.37)
Brad Harrison	59,2 (2.33)	45,7 (1.80)

# Head Sub-assembly Model Code



**1 Filter series**

**HL15**

**2 Element collapse rating**

**1** – 10 bar (150 PSID)

**3 Port option**

**D** – 1.875–12UN SAE–24 straight thread (SAE–J514) (1½” tube)  
**E** – 1½” SAE–J518 4-bolt split flange Code 61

**4 Valve bypass setting option**

**3** – Bypass set at 1.72 ± 0.21 bar (25 ± 3 PSID) cracking pressure.  
**4** – Bypass set at 3.5 ± 0.35 bar (50 ± 5 PSID) cracking pressure.

**5 Indicator type**

**1** – No indicator, pipe plug installed  
**2** – 0 to 13,8 bar (200 psi) press. gage  
**4** – 0 to 4,14 bar (60 psi pressure gage)  
**6** – Electrical switch 1,24 bar (18 psi) Brad Harrison  
**7** – Electrical switch 2,4 bar (35 psi) Brad Harrison  
**8** – Electrical switch 1,24 bar (18 psi) DIN 43650  
**9** – Electrical switch 2,4 bar (35 psi) DIN 43650

**6 Bowl length mm (in)**

**3** – 203,0 (8.00)  
**9** – 203,0 (8.00) with 307,9 (12.12) extension tube

**Element code length mm (in)**

**229, (9.0)**  
**229, (9.0)**

**7 Secondary port option**

**T** – 1.875–12UN SAE–24 straight thread (1½” tube)  
**Z** – 1½” SAE 4-bolt split flange Code 61  
**N** – No secondary port.

**8 Seal material**

**B** – Buna–N  
**V** – Viton–A

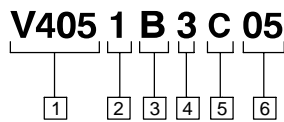
**9 Element construction**

**C** – C–pak (1,3,5,10 & 20 grade)

**10 Fluid cleanliness ratings**

Code	Fluid cleanliness level	Element construction
<b>03</b>	16/14/12 or better	C–pak
<b>05</b>	18/16/14 or better	C–pak
<b>10</b>	20/18/15 or better	C–pak
<b>20</b>	22/19/16 or better	C–pak

# Element Model Code



**1 Filter element**

**V405** – For use with HL15 series filters

**2 Element collapse rating**

**1** – 150 PSID

**3 Seal material**

**B** – Buna–N  
**V** – Viton–A

**4 Bowl length mm (in)**

**3** – 203,0 (8.00)  
**9** – 203,0 (8.00) with 307,9 (12.12) extension tube

**Element code length mm (in)**

**229,0 (9.00)**  
**229,0 (9.00)**

**5 Element construction**

**C** – C–pak (1,3,5,10 & 20 grade)

**6 Fluid cleanliness ratings**

Code	Target fluid cleanliness level
<b>03</b>	16/14/12 or better
<b>05</b>	18/16/14 or better
<b>10</b>	20/18/15 or better
<b>20</b>	22/19/16 or better

The table above assumes limited ingress and a single pass of pump flow through the element. For more detailed information, please consult Vickers Guide to Systemic Contamination Control **561** or contact your local Vickers Distributor.

**Element Dimensions mm (in.)**

