

EATON

Vickers

PVM Piston Pumps

Parts

Model PVM018/020

Model PVM028/032

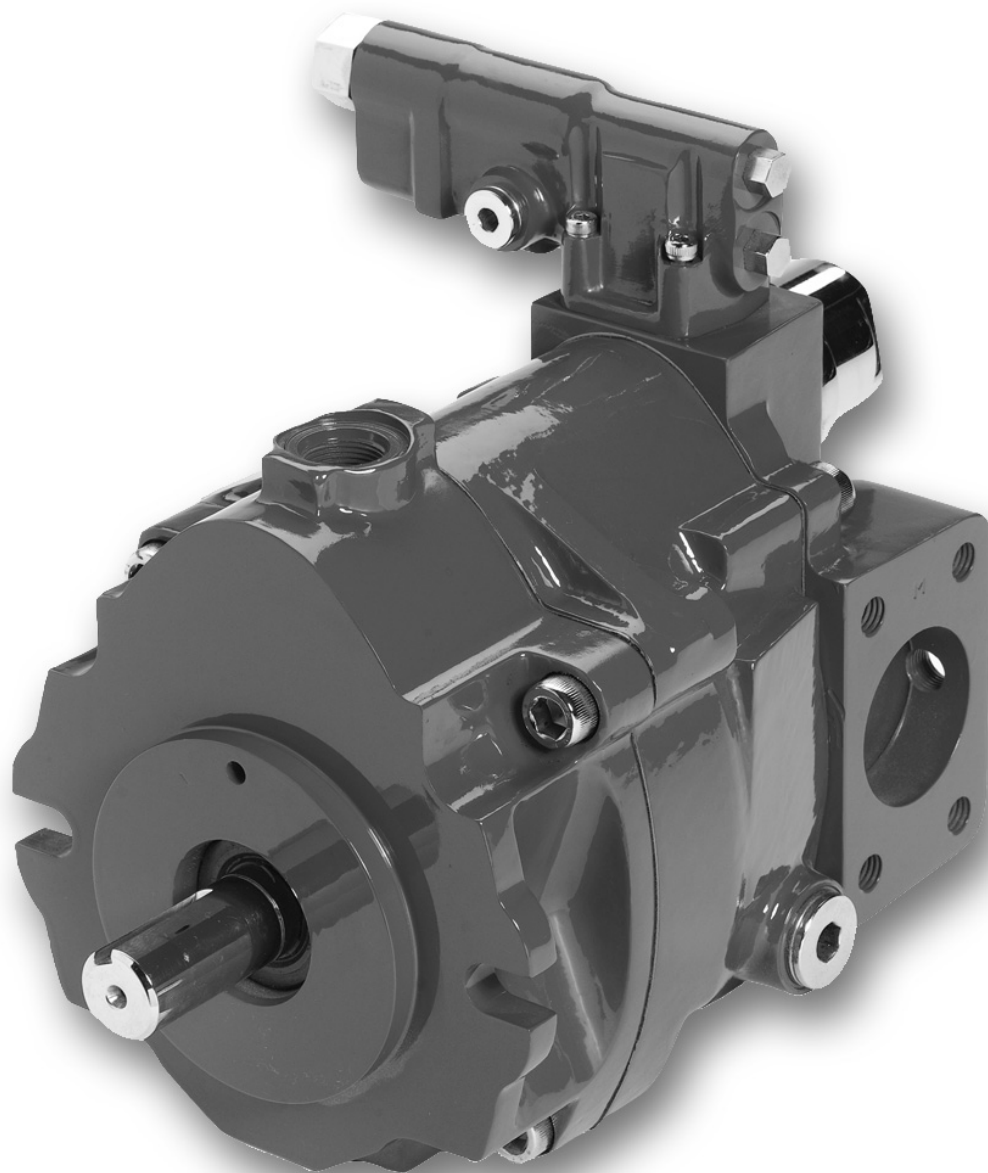
Model PVM045/050

Model PVM057/063

Model PVM074/081

Model PVM098/106

Model PVM131/141

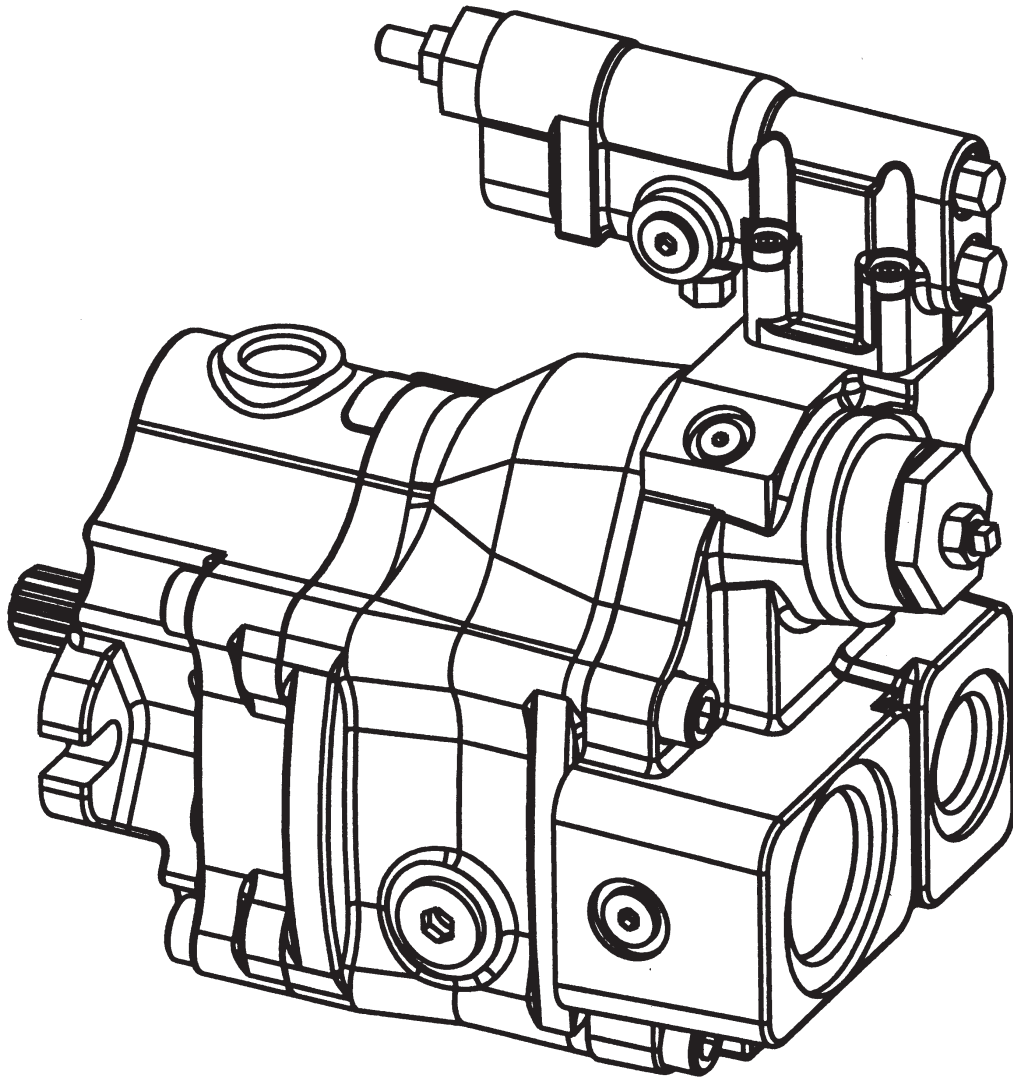


VICKERS[®]

Table of Contents

Model 018/020	5
Parts Identification	6
Parts Lists	7
Identification of Model Code	10
Model 028/032	11
Parts Identification	12
Parts Lists	13
Identification of Model Code	16
Model 045/050	17
Parts Identification	18
Parts Lists	19
Identification of Model Code	22
Model 057/063	23
Parts Identification	24
Parts Lists	25
Identification of Model Code	28
Model 074/081	29
Parts Identification	30
Parts Lists	31
Identification of Model Code	34
Model 098/106	35
Parts Identification	36
Parts Lists	37
Identification of Model Code	40
Model 131/141	41
Parts Identification	42
Parts Lists	43
Identification of Model Code	46

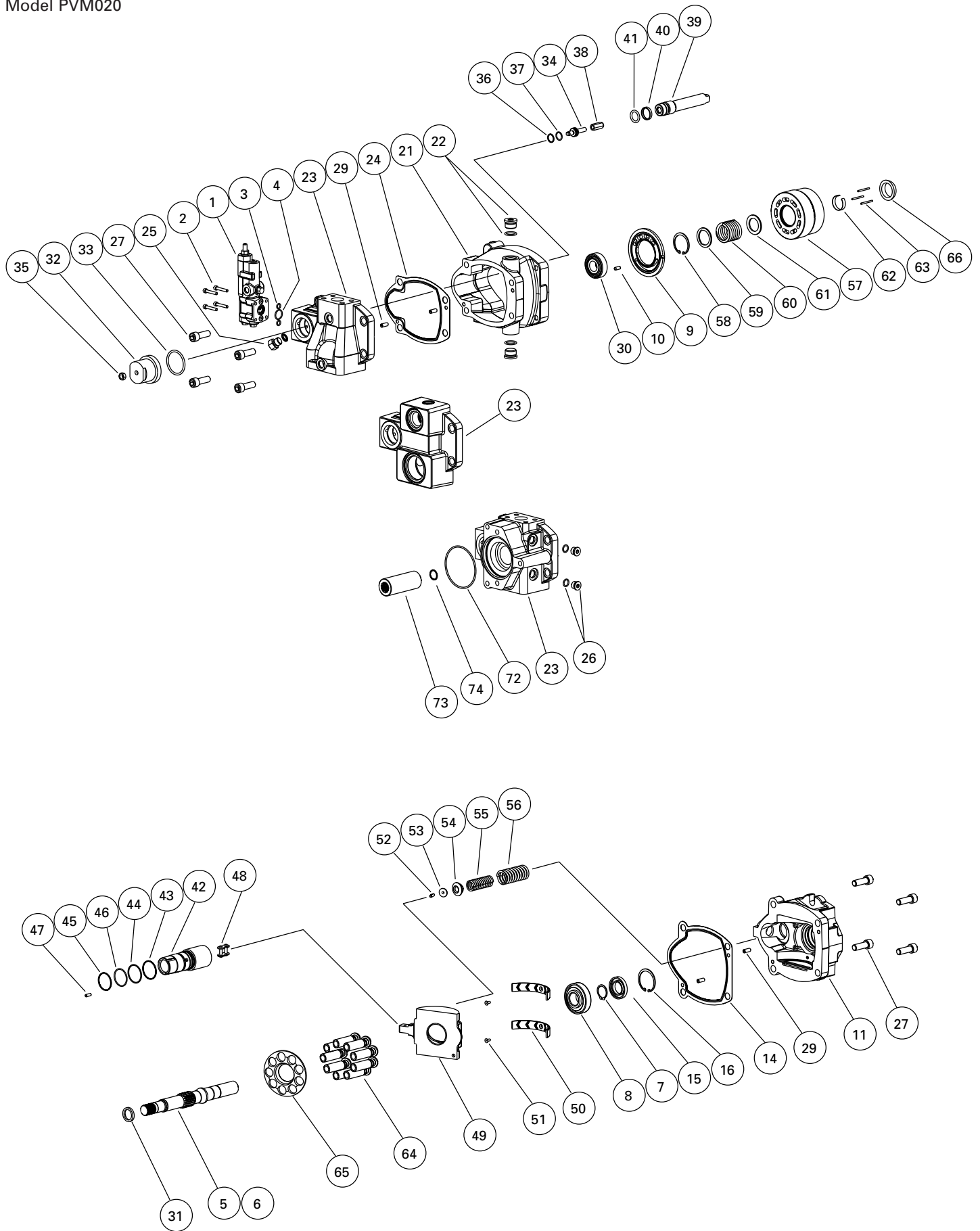
Model 018
Model 020



Identification of Parts

Model PVM018

Model PVM020



Parts List

Model PVM018

Model PVM020

ITEM	PART NO.	QTY.	NOTE	DESCRIPTION	ITEM	PART NO.	QTY.	NOTE	DESCRIPTION
1	See Table 1	1		Pressure Compensator	46	104166-022	1	B	O-Ring
2	114953-030	4	A G	Soc HD Cap Screw M5	47	16028-303	1		Pin
3	104166-011	2	A B G	O-Ring	48	932921	1	M	Chain Link
4	104166-017	1	A B G	O-Ring	49	943992	1		Swashplate
5	See Table 2	1		Drive Shaft	50	02-340318	2	D	Cradle Bearing S/A
6	See Table 2	1		Key	51	Not Used			Screw Socket Flat Head
7	Not Used			Retaining Ring	52	16026-608	1	D	Pin
8	417381	1	E H	Bearing S/A	53	409998	1	D	Button
9	See Table 3	1		Valve Plate	54	409999	1	D	Spring Seat
10	16028-303	1		Pin (Valve Plate)	55	Not Used			Inner Bias Spring
11	See Table 4	1		Mounting Flange	56	943905	1		Outer Bias Spring
12	Not Used			Soc HD Cap Screw M5	57	937061	1	C	Cylinder Barrel (018)
13	Not Used			Soc HD Cap Screw M5	57	937062	1	C K	Cylinder Barrel (020)
14	943990	1	B	Flange Gasket	58	101680-145	1	C L	Retaining Ring
15	937340	1	B F	Shaft Seal	59	937338	1	C	Spring Guide, Outer
16	101680-162	1	B F	Retaining Ring	60	937336	1	C	Spring
17	Not Used			Seal Collar	61	937337	1	C	Spring Guide, Inner
18	Not Used			Retaining Ring	62	913833	1	C	Pin Retainer
19	Not Used			O-Ring	63	937339	3	C	Pin
20	Not Used			Filter	64	02-334516	9	C K	Piston Shoe S/A (018)
21	See Table 5	1		Housing	64	02-335670	9	C L	Piston Shoe S/A (020)
22	See Table 5	2		O-Ring Plug S/A	65	937069	1	C	Shoe Retainer
23	See Tables 6&7	1		End Cover	66	937070	1	C	Ballguide
24	937317	1	B	Gasket	67	Not Used			Spacer
25	115046-002	1		O-Ring Plug S/A	68	Not Used			Screw
26	115046-004	2		O-Ring Plug S/A	69	Not Used			Adapter
27	114976-040	8		Soc HD Cap Screw	70	Not Used			Screw
28	Not Used			Soc HD Cap Screw	71	Not Used			O-Ring, Adapter
29	16026-608	4		Roll Pin	72	104166-152	1	B	O-Ring, End Cover
30	02-335336	1	E	Bearing S/A	73	See Table 8	1		Coupling
31	4992182-xxx	A/R	J	Spacer	74	See Table 8	1		Retaining Ring
32	943933	1		Control Cap					
33	115016-221	1	B	O-Ring					
34	997089	1		Adjustment Screw					
35	4992732-001	1		Jam Nut					
36	8770-015	1	B	Back-Up Ring					
37	104166-015	1	B	O-Ring					
38	943934	1		Adjustment Sleeve					
39	943931	1		Control Piston					
40	937455	1	B	Glide Ring					
41	104166-110	1	B	O-Ring					
42	943932	1		Sleeve					
43	115001-023	1	B	Back-Up Ring					
44	104166-023	1	B	O-Ring					
45	115001-022	1	B	Back-Up Ring					

- A Available in control kit. See Table 1.
- B Available in seal kit 02-347284.
- C Available in rotating group kit 02-347295 for PVM018 or rotating group kit 02-347286 for PVM020.
- D Available in yoke and saddle bearing kit 02-347287.
- E Available in shaft bearing kit 02-347288.
- F Available in single shaft seal kit 02-347290. Equivalent double shaft seal kit 02-347291.
- G Available in control mounting kit 9900104-000.
- H Seat bearing cone against shoulder.
- J Use spacers to shim as required to obtain 0,01 to 0,10 mm (0.00039 to 0.0039 in.) axial shaft end play.
- K For PVM018 only.
- L For PVM020 only.
- M Warning: Use Vickers authorized chain link only. Cotter pins on industry standard chain link will fail.

Parts Tables 1-8

Table 1 – Pressure Compensator

MODEL CODE POSITION			①
13, 14	17, 18, 19, 20, 21		
SAE Port	All	A2800	114969-001
	All	A0700	114969-002
	01/02	B2811	114970-001
	01/02	C2811	114970-002
	01/02	B2824	114970-003
	01/02	C2824	114970-004
	01/02	B0711	114970-005
	01/02	C0711	114970-006
	01/02	B0724	114970-007
	01/02	C0724	114970-008
Metric Port	03/04	B2811	114970-009
	03/04	C2811	114970-010
	03/04	B2824	114970-011
	03/04	C2824	114970-012
	03/04	B0711	114970-013
	03/04	C0711	114970-014
	03/04	B0724	114970-015
	03/04	C0724	114970-016
BSPP Port	05	B2811	114970-017
	05	C2811	114970-018
	05	B2824	114970-019
	05	C2824	114970-020
	05	B0711	114970-021
	05	C0711	114970-022
	05	B0724	114970-023
	05	C0724	114970-024

Table 2 – Shaft and Key and Retaining Ring

MODEL CODE POSITION			⑤	⑥
9,10	11	25		
05	C	O	937445	4992730-001
06	C	O	937446	4992730-002
07	C	O	937447	–
08	C	O	937448	–
15	B	O	937456	4992728-001
17	D	O	937088	4992728-002
01	A	O	937183	4992730-006
02	A	O	937184	4992730-007
03	B/C	O	937185	–
04	A/B/C	O	937186	–
05	C	A	937449	4992730-001
06	C	A	937450	4992730-003
07	C	A	937451	4992728-002
08	C	A	937452	–
20	C	O	943941	–
16	B	O	996833	4992728-003
17	D	O	996834	–

Table 3 – Industrial Valve Plate

MODEL CODE POSITION			⑨
4, 5, 6	7, 8		
018	ER	937158	
018	MR	937159	
018	EL	937160	
018	ML	937161	
020	ER	937412	
020	MR	937411	
020	EL	937412	
020	ML	937414	

Table 4 – Mounting Flange

MODEL CODE POSITION			⑪
11	13, 14	15, 16	
A	01/02	00/AA/AC	937441
A	01/02	AB/AD	943994
A	03/04	00/AA/AC	997020
A	03/04	AB/AD	997021
A	05	00/AA/AC	996928
A	05	AB/AD	996930
B	03/04	00/AA/AC	937442
B	03/04	AB/AD	937443
B	05	00/AA/AC	996929
B	05	AB/AD	996931
C	01/02	00/AA/AC	937429
C	01/02	AB/AD	944105
C	03/04	00/AA/AC	997022
C	03/04	AB/AD	997023
C	05	00/AA/AC	996932
C	05	AB/AD	996934
D	01/02	00/AA/AC	937430
D	01/02	AB/AD	937431
D	03/04	00/AA/AC	–
D	03/04	AB/AD	–
D	05	00/AA/AC	996933
D	05	AB/AD	996935

Table 5 – Housing and Port Plugs

MODEL CODE POSITION		
13, 14	(21)	(22)
02	943989	115046-008
01	943989	115046-008
04	937164	115050-018
03	937164	115050-018
05	937165	4992947-001

Table 7 – End Cover (Thru Drive)

MODEL CODE POSITION			
8	13, 14	25	(23)
R	01	A/B	937460
R	02	A/B	937187
R	03	A/B	937461
R	04	A/B	937188
R	05	A/B	937462
R	03	G/H	937463
R	04	G/H	937189
R	05	G/H	937464
L	01	A/B	996816
L	02	A/B	996819
L	03	A/B	996817
L	04	A/B	996820
L	05	A/B	996822
L	03	G/H	996818
L	04	G/H	996821
L	05	G/H	996823

Table 6 – End Cover (Non Thru Drive)

MODEL CODE POSITION		
8	12, 13, 14	(23)
R	S01	937150
R	S02	937435
L	S01	937421
L	S02	937438
R	S03	937151
R	S04	937436
L	S03	937437
L	S04	937439
R	E01	937304
R	E02	937306
L	E01	944173
L	E02	937192
R	E03	937305
R	E04	937307
L	E03	937191
L	E04	937194
R	S05	937052
R	E05	937308
L	S05	937940
L	E05	944170

Table 8 – Coupling (Thru Drive) and Retaining Ring

MODEL CODE POSITION			
25	REF	(73)	(74)
A	A9	937454	101680-062
B	A11	937453	101680-062
C	B13	–	–
D	B15	–	–
G	MA9	937454	101680-062
H	MA11	937453	101680-062
J	MB13	–	–

Torque Values

ITEM	TORQUE VALUES
2	7,4-9 Nm (65-80 in-lb)
22	95-108 Nm (70-80 ft-lb)
25	3,4-4,5 Nm (30,1-39,8 lbf-in)
26	23-25,8 Nm (17-19 ft-lb)
27	63-77 Nm (46-57 ft-lb)
32	210-230 Nm (155-170 ft-lb)
35	18-24 Nm (13-18 ft-lb)

Identification of Model Code

Model PVM018

Model PVM020

PVM 018 E R 01 A S 01 AA A 28 00 00 0 0 A 0 A

1 2 3 4 5 6 7 8 9 10 11 12 13 14 15 16 17 18 19 20 21 22 23 24 25 26 27 28

1 2 3 Pump series

PVM M-Series variable piston pump

4 5 6 Displacement

018 18.0 cm³/rev (1.10 in³/rev) 280 bar
020 21.1 cm³/rev (1.24 in³/rev) 230 bar

7 Valve plate

E Industrial (1800 rpm max)
M Mobile equipment speeds

8 Input rotation

R Clockwise (righthand)
L Counterclockwise (lefthand)

9 10 Input shaft

01 SAE J744-16-1 A straight key
02 SAE J744-19-1 19mm straight key
03 SAE J744-16-4 A 9T spline
04 SAE J744-16-4 A 11T spline
05 SAE J744-22-1 B straight key
06 SAE J744-25-1 B-B straight key
07 SAE J744-22-4 B 13T spline
08 SAE J744-25-4 B-B 15T spline

11 Mounting flange

A SAE J744-82-2 (SAE A 2 bolt)
C SAE J744-101-2 (SAE B 2 bolt)

12 Main port location

S Side
E End (na on thru drive)

13 14 Main port type

01 SAE J514 tube ports
02 SAE J518 flange ports
03 ISO 6149-1 tube ports
04 ISO 6162 flange ports

15 16 Pump special features

00 None (single shaft seal)
AA Adjustable maximum displacement stop and single shaft seal (standard)
AB Double shaft seal, two way
AD Adjustable maximum displacement stop and double shaft seal

17 Control

0 None
A Pressure compensator
B Pressure and flow compensator with bleed orifice
C Pressure and flow compensator with plugged orifice

18 19 Pressure comp setting

00 None
07 66-74 bar (957-1073 psi)
23 227-234 bar (3277-3393 psi)
020 cm³/rev
28 276-284 bar (4002-4118 psi)
018 cm³/rev

20 21 Flow comp setting

00 None
11 10-11 bar (145-174 psi)
20 19-21 bar (275.5-304.5 psi)
24 23-25 bar (333.5-362.5 psi)

22 23 Torque limiter setting

00 None

24 Compensator special features

0 None

25 Auxiliary mounting pad

0 None
A SAE A 2 bolt 9T spline
B SAE A 2 bolt 11T spline

26 Paint

0 No paint
A Blue (standard)

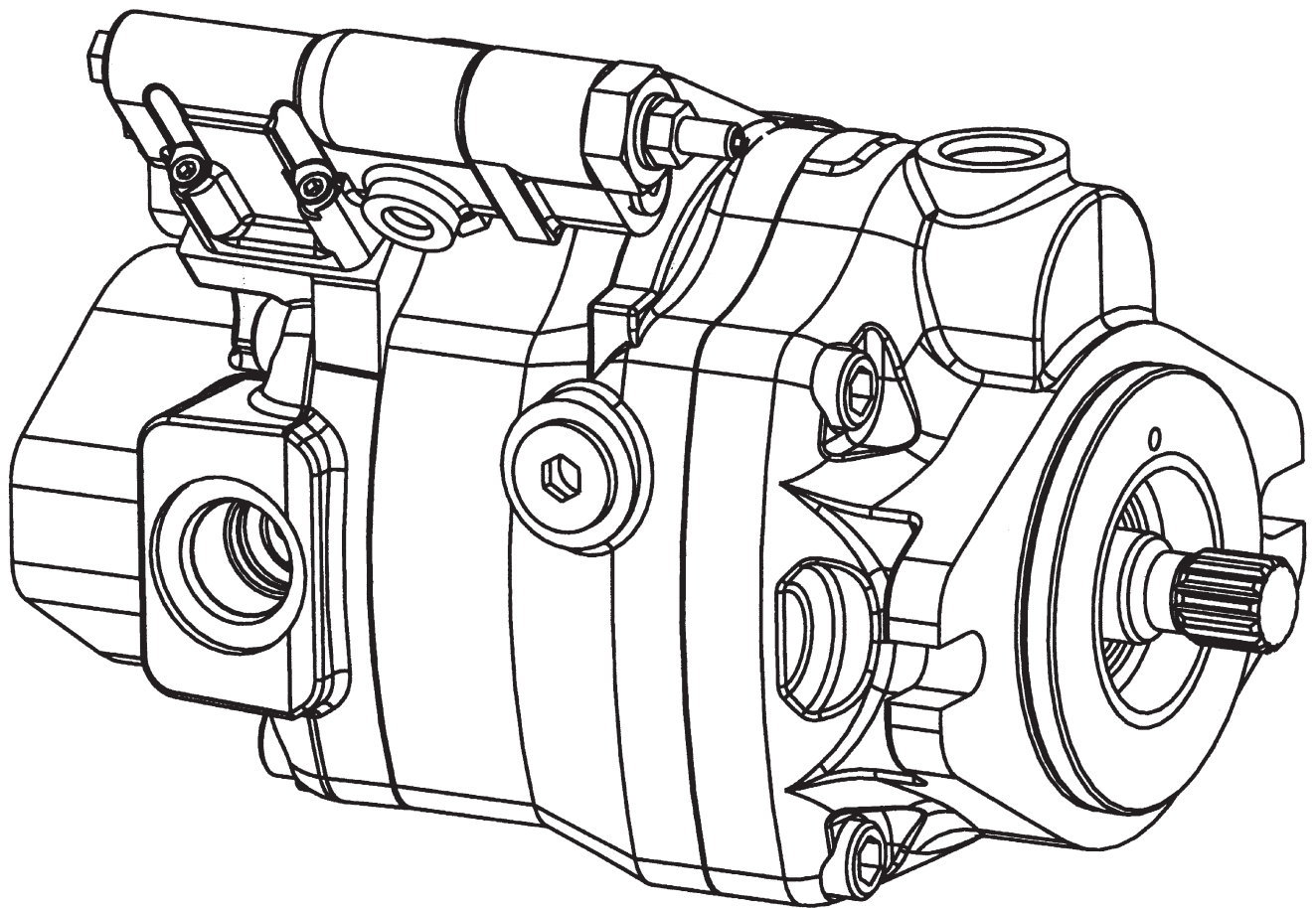
27 Customer identification

0 None

28 Design code

A A (initial release)

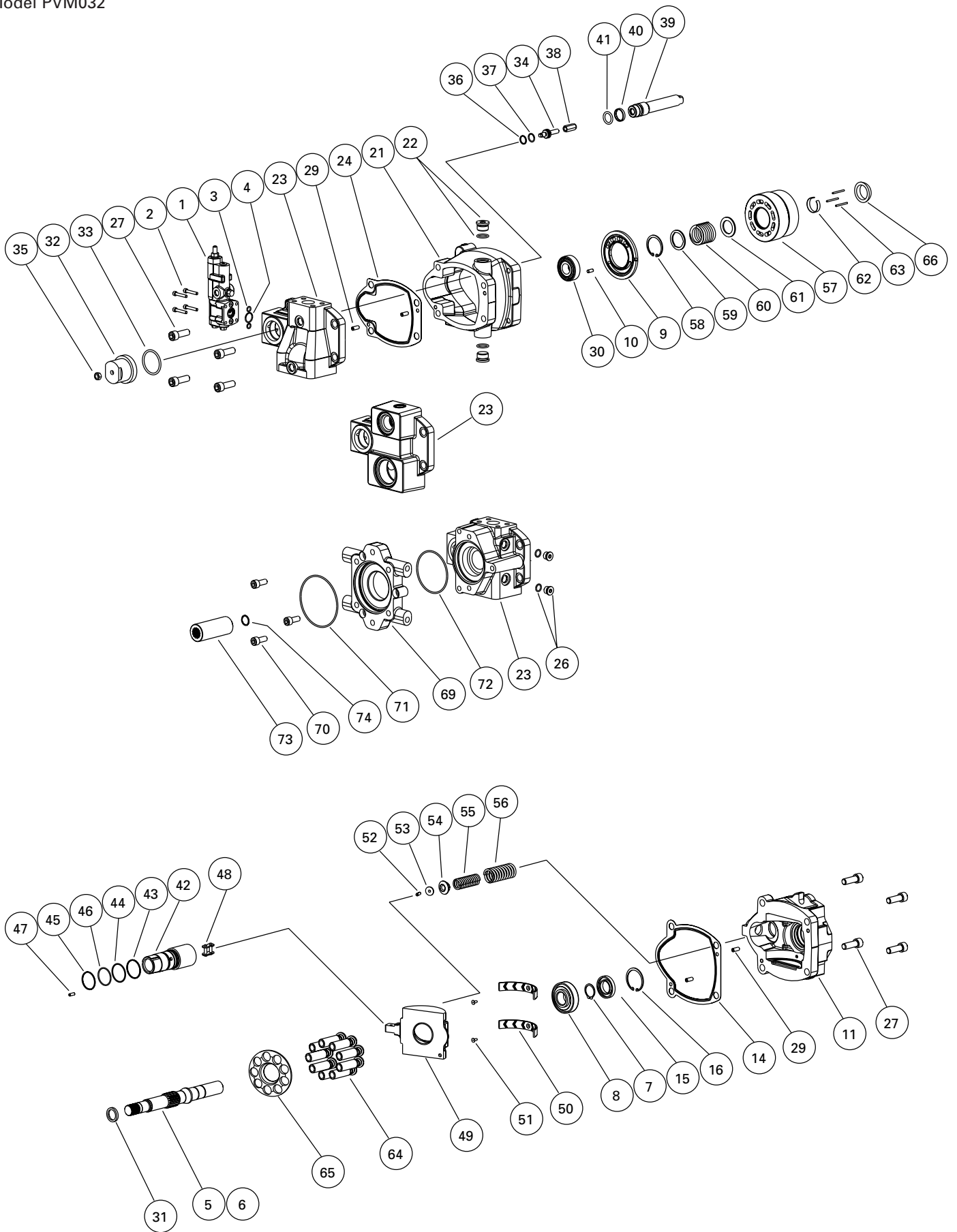
Model PVM028
Model PVM032



Identification of Parts

Model PVM028

Model PVM032



Parts List

Model PVM028

Model PVM032

ITEM	PART NO.	QTY.	NOTE	DESCRIPTION	ITEM	PART NO.	QTY.	NOTE	DESCRIPTION
1	See Table 1	1		Pressure Compensator	45	115001-023	1	B	Back-Up Ring
2	114953-030	4	A G	Soc HD Cap Screw M5	46	8765-023	1	B	O-Ring
3	104166-011	2	A B G	O-Ring	47	16028-303	1		Pin
4	104166-017	1	A B G	O-Ring	48	932921	1	M	Chain Link
5	See Table 2	1		Drive Shaft	49	943917	1		Swashplate
6	See Table 2	1		Key	50	02-341204	2	D	Cradle Bearing S/A
7	Not Used			Retaining Ring	51	Not Used		D	Screw Socket Flat Head
8	388153	1	E H	Bearing S/A	52	16026-608	1	D	Pin
9	See Table 3	1		Valve Plate	53	409998	1	D	Button
10	114997-004	1		Pin (Valve Plate)	54	934189	1	D	Spring Seat
11	See Table 4	1		Mounting Flange	55	996802	1		Inner Bias Spring
12	Not Used			Soc HD Cap Screw M5	56	943905	1		Outer Bias Spring
13	Not Used			Soc HD Cap Screw M5	57	943908	1	C K	Cylinder Barrel (028)
14	943916	1	B	Flange Gasket	57	996825	1	C L	Cylinder Barrel (032)
15	626933	1	B F	Shaft Seal	58	101680-150	1	C	Retaining Ring
16	101680-175	1	B F	Retaining Ring	59	997139	1	C	Spring Guide, Outer
17	Not Used			Seal Collar	60	247294	1	C	Spring
18	Not Used			Retaining Ring	61	996801	1	C	Spring Guide, Inner
19	Not Used			O-Ring	62	913833	1	C	Pin Retainer
20	Not Used			Filter	63	4992733-001	3	C	Pin
21	See Table 5	1		Housing	64	02-345703	9	C K	Piston Shoe S/A (028)
22	See Table 5	2		O-Ring Plug S/A	64	02-345478	9	C L	Piston Shoe S/A (032)
23	See Tables 6&7	1		End Cover	65	943909	1	C	Shoe Retainer
24	943915	1	B	Gasket	66	943910	1		Ballguide
25	Not Used			O-Ring Plug S/A	67	Not Used			Spacer
26	115046-004	2		O-Ring Plug S/A	68	Not Used			Screw
27	114977-045	8		Soc HD Cap Screw	69	Not Used			Adapter
28	Not Used			Soc HD Cap Screw	70	Not Used			Screw
29	16026-608	4		Roll Pin	71	Not Used		B	O-Ring, Adapter
30	02-341205	1	E	Bearing S/A	72	104166-152	1	B	O-Ring, End Cover
31	4992183-xxx	A/R	J	Spacer	73	See Table 8	1		Coupling
32	997222	1		Control Cap	74	Not Used			Retaining Ring
33	115016-127	1	B	O-Ring					
34	997231	1		Adjustment Screw					
35	4992732-001	1		Jam Nut					
36	8770-015	1	B	Back-Up Ring					
37	104166-015	1	B	O-Ring					
38	997225	1		Adjustment Sleeve					
39	997223	1		Control Piston					
40	997075	1	B	Glide Ring					
41	8765-112	1	B	O-Ring					
42	997224	1		Sleeve					
43	115001-025	1	B	Back-Up Ring					
44	8765-025	1	B	O-Ring					

- A Available in control kit. See Table 1.
- B Available in seal kit xxxxxxxx.
- C Available in rotating group kit 02-345215 for PVM028 or rotating group kit xxxxxxxx for PVM032.
- D Available in yoke and saddle bearing kit xxxxxxxx.
- E Available in shaft bearing kit 02-465599.
- F Available in single shaft seal kit 02-345543.
- G Available in control mounting kit 9900104-000.
- H Seat bearing cone against shoulder.
- J Use spacers to shim as required to obtain 0,01 to 0,10 mm (0.00039 to 0.0039 in.) axial shaft end play.
- K For PVM028 only.
- L For PVM032 only.
- M Warning: Use Vickers authorized chain link only. Cotter pins on industry standard chain link will fail.

Parts Tables 1-8

Table 1 – Pressure Compensator

MODEL CODE POSITION				①
	13, 14	17, 18, 19, 20, 21		
SAE Port	All	A2800	114969-001	
	All	A0700	114969-002	
	01/02	B2811	114970-001	
	01/02	C2811	114970-002	
	01/02	B2824	114970-003	
	01/02	C2824	114970-004	
	01/02	B0711	114970-005	
	01/02	C0711	114970-006	
Metric Port	01/02	B0724	114970-007	
	01/02	C0724	114970-008	
	03/04	B2811	114970-009	
	03/04	C2811	114970-010	
	03/04	B2824	114970-011	
	03/04	C2824	114970-012	
	03/04	B0711	114970-013	
	03/04	C0711	114970-014	
BSPP Port	03/04	B0724	114970-015	
	03/04	C0724	114970-016	
	05	B2811	114970-017	
	05	C2811	114970-018	
	05	B2824	114970-019	
	05	C2824	114970-020	
	05	B0711	114970-021	
	05	C0711	114970-022	
	05	B0724	114970-023	
	05	C0724	114970-024	

Table 2 – Shaft and Key

MODEL CODE POSITION				⑤	⑥
9,10	11	25			
05	C	0	996804	4992730-001	
06	C	0	996805	4992730-003	
07	C	0	943919	–	
08	C	0	996806	–	
15	B	0	997250	4992730-001	
01	A	0	997247	4992730-006	
04	A	0	997249	–	
21	M	0	943881	4993142-011	

Table 3 – Industrial Valve Plate

MODEL CODE POSITION			⑨
4, 5, 6	7, 8		
028	ER	943882	
028	MR	943883	
028	EL	943884	
028	ML	943885	
032	ER	943886	
032	MR	943887	
032	EL	943888	
032	ML	943889	

Table 4 – Mounting Flange

MODEL CODE POSITION				⑪
11	13, 14	15, 16		
A	01/02	00/AA/AC	943830	
A	01/02	AB/AD	943834	
B	03/04	00/AA/AC	943838	
B	03/04	AB/AD	943839	
C	01/02	00/AA/AC	943832	
C	01/02	AB/AD	943836	
C	03/04	00/AA/AC	943840	
C	03/04	AB/AD	943840	
C	05	00/AA/AC	997244	
C	05	AB/AD	–	
D	01/02	00/AA/AC	–	
D	01/02	AB/AD	–	
D	03/04	00/AA/AC	943841	
D	03/04	AB/AD	–	
D	05	00/AA/AC	–	
D	05	AB/AD	–	

Table 5 – Housing and Port Plugs

MODEL CODE POSITION				⑲	⑳
13, 14	15, 16				
02	AE/AF	943846	115050-022		
01	AE/AF	943846	115050-022		
04	–	943847	115050-022		
03	–	943847	115050-022		
05	–	943847	115050-022		

Table 6 – End Cover (Non Thru Drive)

MODEL CODE POSITION			(23)
8	12, 13, 14		
R	S01	943863	
R	S02	943851	
L	S01	943869	
L	S02	943857	
R	S03	943864	
R	S04	937852	
L	S03	943870	
L	S04	943858	
R	E01	943861	
R	E02	943849	
L	E01	943867	
L	E02	943855	
R	E03	943862	
R	E04	943850	
L	E03	943868	
L	E04	943856	
R	S05	943874	
R	E05	943873	
L	S05	943877	
L	E05	943876	
R	E07	996927	

Table 7 – End Cover (Thru Drive)

MODEL CODE POSITION				(23)
8	13, 14	25		
R	01	A/B	943865	
R	02	A/B	943853	
R	03	A/B	943866	
R	04	A/B	943854	
R	05	A/B	943875	
R	03	G/H	997232	
R	04	G/H	997234	
R	05	G/H	–	
L	01	A/B	943871	
L	02	A/B	943859	
L	03	A/B	943872	
L	04	A/B	943860	
L	05	A/B	943878	
L	03	G/H	997235	
L	04	G/H	997237	
L	05	G/H	–	

Table 8 – Coupling (Thru Drive)

MODEL CODE POSITION			(73)
25	REF		
A	A9	937454	
B	A11	937453	
C	B13	–	
D	B15	–	
G	MA9	937454	
H	MA11	937453	
J	MB13	–	

Torque Values

ITEM	TORQUE VALUES
2	7,4-9 Nm (65-80 in-lb)
22	95-108 Nm (70-80 ft-lb)
26	23-25,8 Nm (17-19 ft-lb)
27	63-77 Nm (46-57 ft-lb)
32	210-230 Nm (155-170 ft-lb)
35	18-24 Nm (13-18 ft-lb)

Identification of Model Code

Model PVM028

Model PVM032

PVM 028 E R 07 A S 01 AA A 28 00 00 0 0 A 0 A

1 2 3 4 5 6 7 8 9 10 11 12 13 14 15 16 17 18 19 20 21 22 23 24 25 26 27 28

1 2 3 Pump series

PVM M-Series variable piston pump

4 5 6 Displacement

028 28.0 cm³/rev (1.71 in³/rev) 280 bar
032 32.0 cm³/rev (1.96 in³/rev) 230 bar

7 Valve plate

E Industrial (1800 rpm max)
M Mobile equipment speeds

8 Input rotation

R Clockwise (righthand)
L Counterclockwise (lefthand)

9 10 Input shaft

01 SAE J744-16-1 A straight key
02 SAE J744-19-1 19mm straight key
03 SAE J744-16-4 A 9T spline
04 SAE J744-16-4 A 11T spline
05 SAE J744-22-1 B straight key
06 SAE J744-25-1 B-B straight key
07 SAE J744-22-4 B 13T spline
08 SAE J744-25-4 B-B 15T spline

11 Mounting flange

A SAE J744-82-2 (SAE A 2 bolt)
C SAE J744-101-2 (SAE B 2 bolt)

12 Main port location

S Side
E End (na on thru drive)

13 14 Main port type

01 SAE J514 tube ports
02 SAE J518 flange ports
03 ISO 6149-1 tube ports
04 ISO 6162 flange ports

15 16 Pump special features

00 None (single shaft seal)
AA Adjustable maximum displacement stop and single shaft seal (standard)
AB Double shaft seal, two way
AD Adjustable maximum displacement stop and double shaft seal

17 Control

0 None
A Pressure compensator
B Pressure and flow compensator with bleed orifice
C Pressure and flow compensator with plugged orifice

18 19 Pressure comp setting

00 None
07 66-74 bar (957-1073 psi)
23 227-234 bar (3277-3393 psi)
032 cm³/rev
28 276-284 bar (4002-4118 psi)
028 cm³/rev

20 21 Flow comp setting

00 None
11 10-11 bar (145-174 psi)
20 19-21 bar (275.5-304.5 psi)
24 23-25 bar (333.5-362.5 psi)

22 23 Torque limiter setting

00 None

24 Compensator special features

0 None

25 Auxiliary mounting pad

0 None
A SAE A 2 bolt 9T spline
B SAE A 2 bolt 11T spline

26 Paint

0 No paint
A Blue (standard)

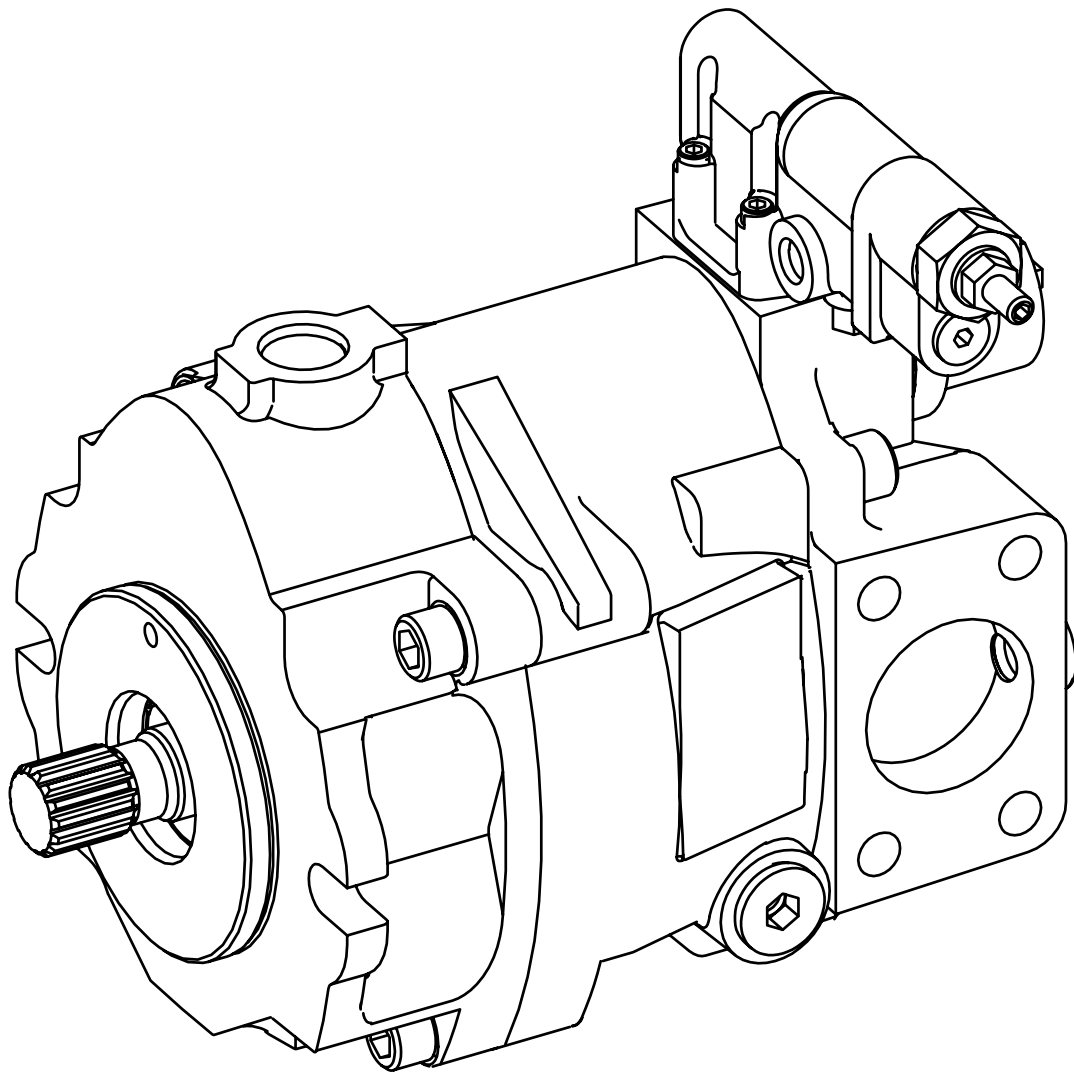
27 Customer identification

0 None

28 Design code

A A (initial release)

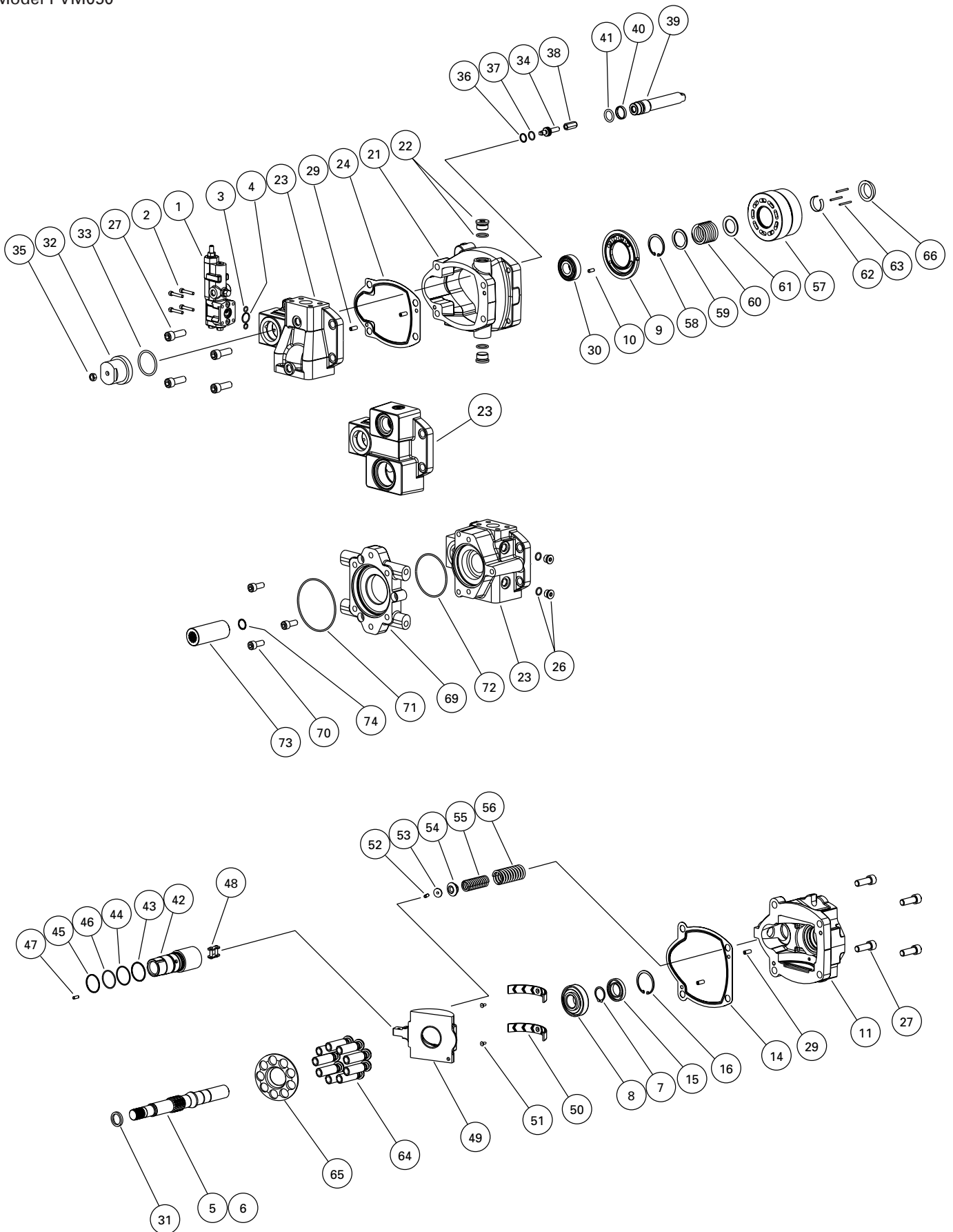
Model PVM045
Model PVM050



Identification of Parts

Model PVM045

Model PVM050



Parts List

Model PVM045

Model PVM050

ITEM	PART NO.	QTY.	NOTE	DESCRIPTION	ITEM	PART NO.	QTY.	NOTE	DESCRIPTION
1	See Table 1	1		Pressure Compensator	46	104166-027	1	B	O-Ring
2	114953-030	4	A G	Soc HD Cap Screw M5	47	95902-050	1		Pin
3	104166-011	2	A B G	O-Ring	48	932921	1	M	Chain Link
4	104166-017	1	A B G	O-Ring	49	932918	1		Swashplate
5	See Table 2	1		Drive Shaft	50	937055	2	D	Cradle Bearing
6	See Table 2	1		Key	51	114995-010	2	D	Screw Socket Flat Head
7	See Table 2	1		Retaining Ring	52	16026-608	1	D	Pin
8	419627	1	E H	Bearing S/A	53	409998	1	D	Button
9	See Table 3	1		Valve Plate	54	934189	1	D	Spring Seat
10	114997-004	1		Pin (Valve Plate)	55	932928	1		Inner Bias Spring
11	See Table 4	1		Mounting Flange	56	932929	1		Outer Bias Spring
12	Not Used			Soc HD Cap Screw M5	57	933028	1	C K	Cylinder Barrel (045)
13	Not Used			Soc HD Cap Screw M5	57	932930	1	C L	Cylinder Barrel (050)
14	932915	1	B	Flange Gasket	58	101680-162	1	C	Retaining Ring
15	626933	1	B F	Shaft Seal	59	423368	1	C	Spring Guide, Outer
16	101680-175	1	B F	Retaining Ring	60	402579	1	C	Spring
17	Not Used			Seal Collar	61	404932	1	C	Spring Guide, Inner
18	Not Used			Retaining Ring	62	410050	1	C	Pin Retainer
19	Not Used			O-Ring	63	114996-006	3	C	Pin
20	Not Used			Filter	64	415621	9	C K	Piston Shoe S/A (045)
21	See Table 5	1		Housing	64	02-328123	9	C L	Piston Shoe S/A (050)
22	See Table 5	2		O-Ring Plug S/A	65	402650	1	C	Shoe Retainer
23	See Tables 6&7	1		End Cover	66	402580	1	C	Ballguide
24	932916	1	B	Gasket	67	Not Used			Spacer
25	Not Used			O-Ring Plug S/A	68	Not Used			Screw
26	See Tables 6&7	2		O-Ring Plug S/A	69	See Table 7	1		Adapter
27	114977-035	8		Soc HD Cap Screw	70	114976-025	3		Screw
28	Not Used			Soc HD Cap Screw	71	104166-155	1	B	O-Ring, Adapter
29	96201-062	4		Roll Pin	72	104166-152	1	B	O-Ring, End Cover
30	473914	1	E	Bearing S/A	73	See Table 8	1		Coupling
31	4992184-xxx	A/R	J	Spacer	74	See Table 8	1		Retaining Ring
32	934286	1		Control Cap					
33	115016-224	1	B	O-Ring					
34	934287	1		Adjustment Screw					
35	4992732-001	1		Jam Nut					
36	8770-015	1	B	Back-Up Ring					
37	104166-015	1	B	O-Ring					
38	934340	1		Hex Stop					
39	932919	1		Control Piston					
40	932924	1	B	Glide Ring					
41	104166-210	1	B	O-Ring					
42	932920	1		Sleeve					
43	114998-028	1	B	Back-Up Ring					
44	104166-028	1	B	O-Ring					
45	114998-027	1	B	Back-Up Ring					

- A Available in control kit. See Table 1.
- B Available in seal kit 02-346161.
- C Available in rotating group kit 02-346162 for PVM045 or rotating group kit 02-346172 for PVM050.
- D Available in yoke and saddle bearing kit 02-346163.
- E Available in shaft bearing kit 02-346164.
- F Available in single shaft seal kit 02-346166. Equivalent double shaft seal kit 02-346167.
- G Available in control mounting kit 9900104-000.
- H Seat bearing cone against shoulder.
- J Use spacers to shim as required to obtain 0,01 to 0,10 mm (0.00039 to 0.0039 in.) axial shaft end play.
- K For PVM045 only.
- L For PVM050 only.
- M Warning: Use Vickers authorized chain link only. Cotter pins on industry standard chain link will fail.

Parts Tables 1-8

Table 1 – Pressure Compensator

MODEL CODE POSITION				①
	13, 14	17, 18, 19, 20, 21		
SAE Port	All	A2800	02-345631	
	All	A0700	02-345629	
	01/02	B2811	02-345594	
	01/02	C2811	02-345596	
	01/02	B2824	02-345598	
	01/02	C2824	02-345600	
	01/02	B0711	02-345601	
	01/02	C0711	02-345602	
	01/02	B0724	02-345603	
	01/02	C0724	02-345604	
Metric Port	03/04	B2811	02-345606	
	03/04	C2811	02-345608	
	03/04	B2824	02-345610	
	03/04	C2824	02-345612	
	03/04	B0711	02-345613	
	03/04	C0711	02-345614	
BSPP Port	03/04	B0724	02-345615	
	03/04	C0724	02-345616	
	05	B2811	02-345618	
	05	C2811	02-345620	
	05	B2824	02-345622	
	05	C2824	02-345624	
	05	B0711	02-345625	
	05	C0711	02-345626	
	05	B0724	02-345627	
	05	C0724	02-345628	

Table 2 – Shaft, Key and Retaining Ring

MODEL CODE POSITION				⑤	⑥	⑦
9,10	11	25				
05	C	0	934380	22971	–	–
06	C	0	934381	58303	96098-100	–
07	C	0	934382	–	–	–
08	C	0	932927	–	–	–
05	C	A/B/G/H	934391	22971	–	–
06	C	A/B/G/H	934392	58303	96098-100	–
07	C	A/B/G/H	934393	–	–	–
08	C	A/B/G/H	934394	–	–	–

Table 3 – Industrial Valve Plate

MODEL CODE POSITION			⑨
4, 5, 6	7, 8		
045	ER	932922	
045	MR	932925	
045	EL	934275	
045	ML	934276	
050	ER	934280	
050	MR	933027	
050	EL	934278	
050	ML	934277	

Table 4 – Mounting Flange

MODEL CODE POSITION				⑪
11	13, 14	15, 16		
C	01/02	00/AA/AC	932914	
C	01/02	AB/AD	934397	
C	03/04	00/AA/AC	943776	
C	03/04	AB/AD	943775	
C	05	00/AA/AC	934399	
C	05	AB/AD	934400	
D	01/02	00/AA/AC	943821	
D	01/02	AB/AD	943822	
D	03/04	00/AA/AC	943274	
D	03/04	AB/AD	934398	
D	05	00/AA/AC	943773	
D	05	AB/AD	943774	

Table 5 – Housing and Drain Plug S/A

MODEL CODE POSITION				⑳	㉑
	13, 14				
	02	932912	–		
	01	932912	–		
	04	934273	–		
	03	934273	–		
	05	934401	49929447-001		

Table 6 – End Cover (Non Thru Drive) and Gauge Port Plug

MODEL CODE POSITION		(23)	(26)
8	12, 13, 14		
R	S01	934254	115046-006
R	S02	932909	115046-006
L	S01	934257	115046-006
L	S02	934261	115046-006
R	S03	934255	115050-022
R	S04	934259	115050-022
L	S03	934258	115050-022
L	S04	934262	115050-022
R	E01	934355	115046-006
R	E02	934264	115046-006
L	E01	934367	115046-006
L	E02	934267	115046-006
R	E03	934357	115050-022
R	E04	934263	115050-022
L	E03	934369	115050-022
L	E04	934268	115050-022
R	S05	934360	4992947-002
R	E05	934361	4992947-002
L	S05	934373	4992947-002
L	E05	934374	4992947-002

Table 7 – End Cover (Thru Drive), Gauge Port Plug and Adapter

MODEL CODE POSITION			(23)	(26)	(69)
8	13, 14	25			
R	01	A/B	934301	115046-006	–
R	02	A/B	934238	115046-006	–
R	03	A/B	934359	115050-022	–
R	04	A/B	934269	115050-022	–
R	05	A/B	934363	4992947-002	–
R	03	G/H	934365	115050-022	–
R	04	G/H	934364	115050-022	–
R	05	G/H	934366	4992947-002	–
R	01	C/D	934301	115046-006	934294
R	02	C/D	934238	115046-006	934294
R	03	C/D	934359	115050-022	934294
R	04	C/D	934269	115050-022	934294
R	05	C/D	934363	4992947-002	934294
R	03	J/K	934365	115050-022	934402
R	04	J/K	934364	115050-022	934402
R	05	J/K	934366	4992947-002	934402
L	01	A/B	934370	115046-006	–
L	02	A/B	934271	115046-006	–
L	03	A/B	934372	115050-022	–
L	04	A/B	934272	115050-022	–
L	05	A/B	934375	4992947-002	–
L	03	G/H	934377	115050-022	–
L	04	G/H	934376	115050-022	–
L	05	G/H	934378	4992947-002	–
L	01	C/D	934370	115046-006	934294
L	02	C/D	934271	115046-006	934294
L	03	C/D	934372	115050-022	934294
L	04	C/D	934272	115050-022	934294
L	05	C/D	934375	4992947-002	934294
L	03	J/K	934377	115050-022	934402
L	04	J/K	934376	115050-022	934402
L	05	J/K	934378	4992947-002	934402

Table 8 – Coupling (Thru Drive) and Retaining Ring

MODEL CODE POSITION		(73)	(74)
25	REF		
A	A9	937238	–
B	A11	937236	–
C	B13	937237	115015-078
D	B15	943792	115015-078
G	MA9	937238	–
H	MA11	937236	–
J	MB13	937237	115015-078
K	MB15	943792	115015-078

Torque Values

ITEM	TORQUE VALUES
2	7,4-9 Nm (65-80 in-lb)
22	95-108 Nm (70-80 ft-lb)
26	23-25,8 Nm (17-19 ft-lb)
27	63-77 Nm (46-57 ft-lb)
32	210-230 Nm (155-170 ft-lb)
35	18-24 Nm (13-18 ft-lb)
51	3,6-4,4 Nm (32-39 in-lb)
70	42-50 Nm (31-36,8 ft-lb)

Identification of Model Code

Model PVM045

Model PVM050

PVM 045 E R 06 C S 01 AA A 28 00 00 0 0 A 0 A

1 2 3 4 5 6 7 8 9 10 11 12 13 14 15 16 17 18 19 20 21 22 23 24 25 26 27 28

1 2 3 Pump series

PVM M-Series variable piston pump

4 5 6 Displacement

045 45.1 cm³/rev (2.75 in³/rev) 280 bar
050 50.0 cm³/rev (3.00 in³/rev) 230 bar

7 Valve plate

E Industrial (1800 rpm max)
M Mobile equipment speeds

8 Input rotation

R Clockwise (righthand)
L Counterclockwise (lefthand)

9 10 Input shaft

05 SAE J744-22-1 B straight key
06 SAE J744-25-1 B-B straight key
07 SAE J744-22-4 B 13T spline
08 SAE J744-25-4 B-B 15T spline

11 Mounting flange

C SAE J744-101-2 (SAE B 2 bolt)

12 Main port location

S Side
E End (na on thru drive)

13 14 Main port type

01 SAE J514 tube ports
02 SAE J518 flange ports
03 ISO 6149-1 tube ports
04 ISO 6162 flange ports

15 16 Pump special features

00 None (single shaft seal)
AA Adjustable maximum displacement stop and single shaft seal (standard)
AB Double shaft seal, two way
AD Adjustable maximum displacement stop and double shaft seal

17 Control

0 None
A Pressure compensator
B Pressure and flow compensator with bleed orifice
C Pressure and flow compensator with plugged orifice

18 19 Pressure comp setting

00 None
07 66-74 bar (957-1073 psi)
23 227-234 bar (3277-3393 psi)
050 cm³/rev
28 276-284 bar (4002-4118 psi)
045 cm³/rev

20 21 Flow comp setting

00 None
11 10-11 bar (145-174 psi)
20 19-21 bar (275.5-304.5 psi)
24 23-25 bar (333.5-362.5 psi)

22 23 Torque limiter setting

00 None

24 Compensator special features

0 None

25 Auxiliary mounting pad

0 None
A SAE A 2 bolt 9T spline
B SAE A 2 bolt 11T spline
C SAE B 2/4 bolt 13T spline
D SAE B 2/4 bolt 15T spline

26 Paint

0 No paint
A Blue (standard)

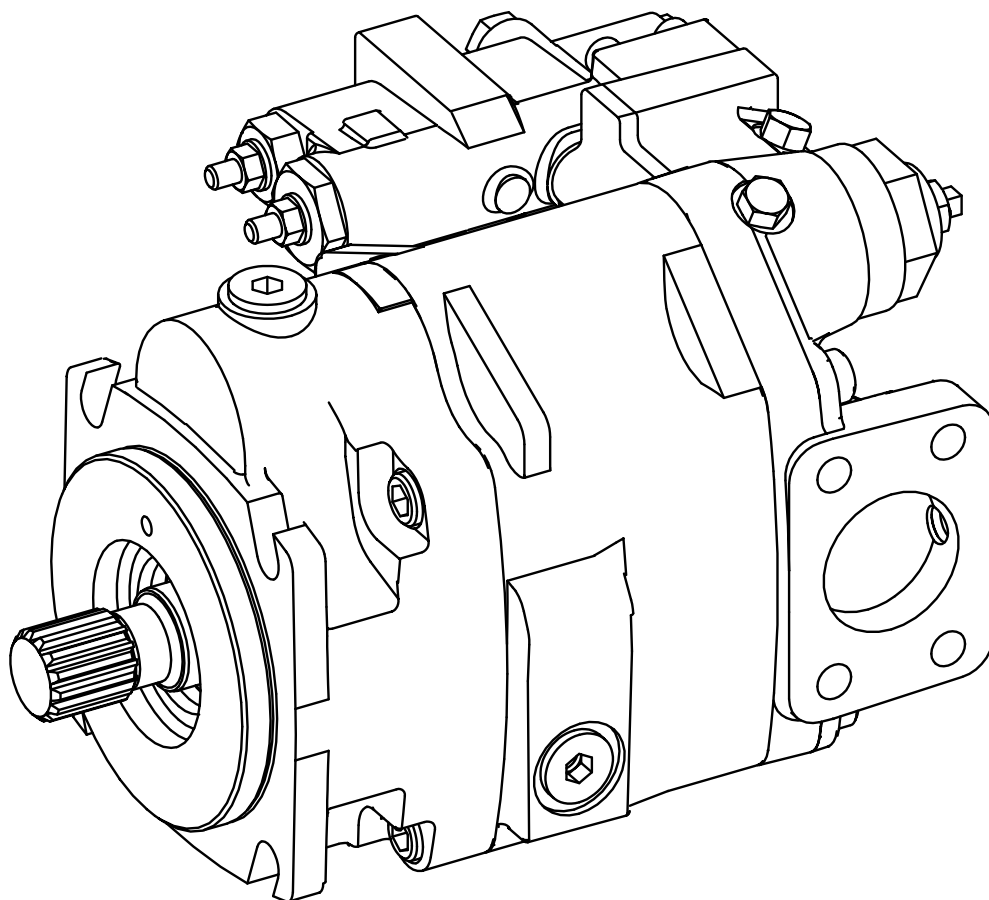
27 Customer identification

0 None

28 Design code

A A (initial release)

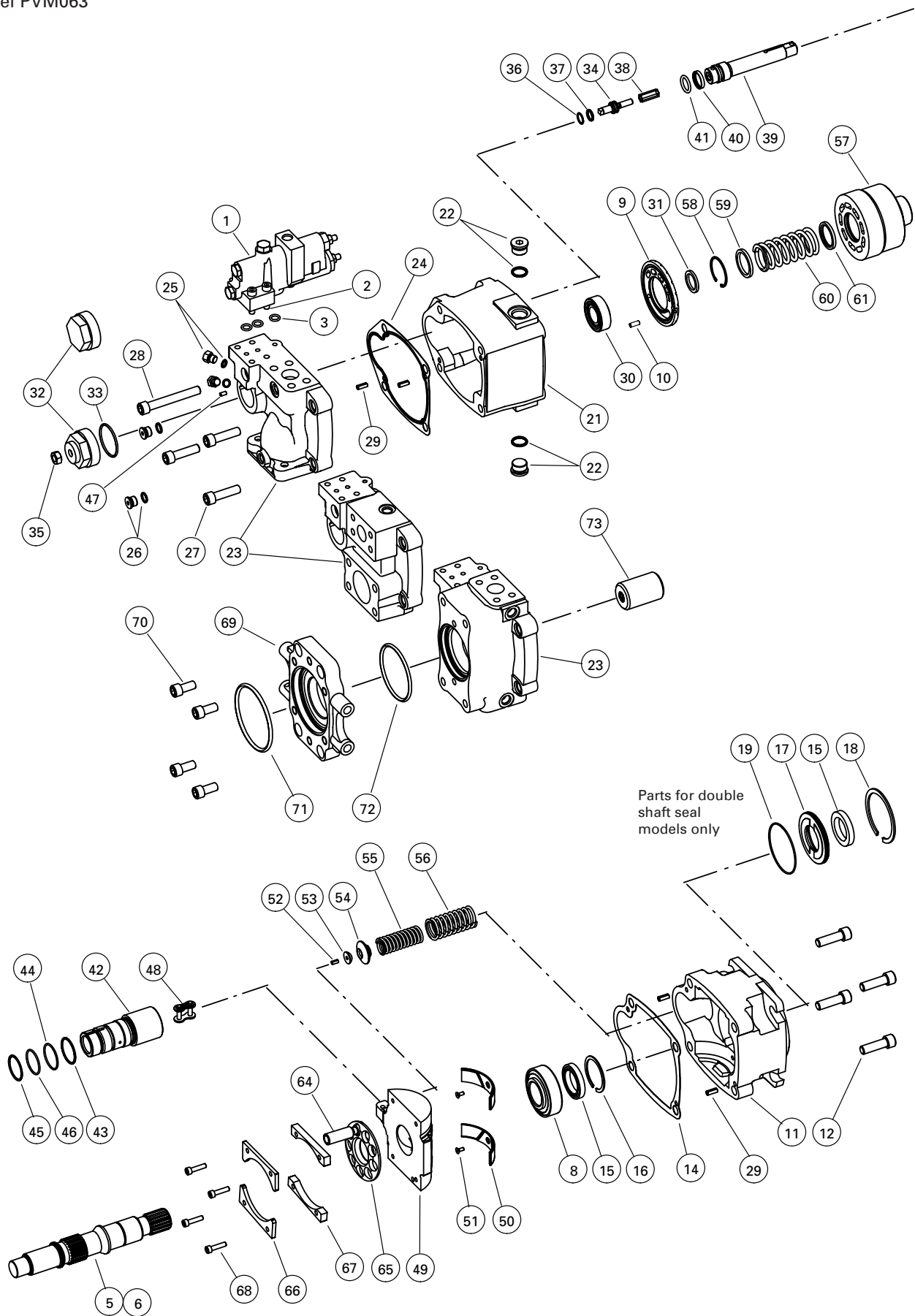
Model PVM057
Model PVM063



Identification of Parts

Model PVM057

Model PVM063



Parts List

Model PVM057

Model PVM063

ITEM	PART NO.	QTY.	NOTE	DESCRIPTION	ITEM	PART NO.	QTY.	NOTE	DESCRIPTION
1	See Table 1	1		Pressure Compensator	47	16028-303	1		Pin
2	114975-035	4	A G	Soc HD Cap Screw M5	48	934493	1	M	Chain Link
3	4992737-111	3	A B G	O-Ring	49	934086	1		Swashplate
4	Not Used			O-Ring	50	943984	2	D	Cradle Bearing
5	See Table 2	1		Drive Shaft	51	114995-010	2	D	Screw Socket Flat Head
6	See Table 2	1		Key	52	95749-038	1	D	Pin
7	Not Used			Retaining Ring	53	409998	1	D	Button
8	02-334757	1	E H	Bearing S/A	54	934429	1	D	Spring Seat
9	See Table 3	1		Valve Plate	55	937489	1		Inner Bias Spring
10	95904-068	1		Pin (Valve Plate)	56	937488	1		Outer Bias Spring
11	See Table 4	1		Mounting Flange	57	934405	1	C K	Cylinder Barrel (057)
12	114977-040	4		Soc HD Cap Screw M5	57	934553	1	C L	Cylinder Barrel (063)
13	Not Used			Soc HD Cap Screw M5	58	101680-175	1	C	Retaining Ring
14	934445	1	B	Flange Gasket	59	584524	1	C	Spring Guide, Outer
15	513439	1	B F	Shaft Seal	60	627524	1	C	Spring
16	101680-200	1	B F	Retaining Ring	61	680624	1	C	Spring Guide, Inner
17	934058			Seal Collar	62	Not Used			Pin Retainer
18	101680-300			Retaining Ring	63	Not Used			Pin
19	104166-040			O-Ring	64	02-306362	9	C K	Piston Shoe S/A (057)
20	Not Used			Filter	64	02-306363	9	C L	Piston Shoe S/A (063)
21	See Table 5	1		Housing	65	584512	1	C K	Shoe Retainer (057)
22	See Table 5	2		O-Ring Plug S/A	65	860754	1	C L	Shoe Retainer (063)
23	See Tables 6&7	1		End Cover	66	690218	2	C	Hold Down Straps
24	934444	1	B	Gasket	67	690801	2	C	Spacer
25	16103-104	2		O-Ring Plug S/A	68	114974-025	4	C	Screw
26	115046-006	2		O-Ring Plug S/A	69	See Table 7	1		Adapter
27	114977-045	3		Soc HD Cap Screw	70	114977-025	3		Screw
28	114977-090	1		Soc HD Cap Screw	71	See Table 7	1	B	O-Ring, Adapter
29	96201-062	4		Roll Pin	72	See Table 7	1	B	O-Ring, End Cover
30	02-328741	1	E	Bearing S/A	73	See Table 8	1		Coupling
31	4992188-xxx	A/R	J	Spacer	74	Not Used			Retaining Ring
32	943930	1		Control Cap					
33	934580	1	B	O-Ring					
34	943985	1		Adjustment Screw					
35	4992732-002	1		Jam Nut					
36	8770-015	1	B	Back-Up Ring					
37	104166-015	1	B	O-Ring					
38	937407	1		Hex Stop					
39	934052	1		Control Piston					
40	934489	1	B	Glide Ring					
41	104166-211	1	B	O-Ring					
42	934053	1		Sleeve					
43	115000-127	1	B	Back-Up Ring					
44	104166-127	1	B	O-Ring					
45	115000-126	1	B	Back-Up Ring					
46	104166-126	1	B	O-Ring					

- A Available in control kit. See Table 1.
- B Available in seal kit 02-346217.
- C Available in rotating group kit 02-346216 for PVM057 or rotating group kit 02-346224 for PVM063.
- D Available in yoke and saddle bearing kit 02-346219.
- E Available in shaft bearing kit 02-346220.
- F Available in single shaft seal kit 02-346222. Equivalent double shaft seal kit 02-346223.
- G Available in control mounting kit 9900105-000.
- H Seat bearing cone against shoulder.
- J Use spacers to shim as required to obtain 0,01 to 0,10 mm (0.00039 to 0.0039 in.) axial shaft end play.
- K For PVM057 only.
- L For PVM063 only.
- M Warning: Use Vickers authorized chain link only. Cotter pins on industry standard chain link will fail.

Parts Tables 1-8

Table 1 – Pressure Compensator

MODEL CODE POSITION				①
13, 14	17, 18, 19	20, 21		
All	A28	00	02-125160	
All	A07	00	02-125162	
01/02	B28	11	02-346306	
01/02	B28	24	02-160591	
01/02	C07	24	02-306056	
01/02	C28	11	02-346305	
01/02	C28	24	02-125161	
03/04	B07	11	02-347729	
03/04	B08	24	02-347728	
03/04	B28	11	02-347730	
03/04	B28	24	02-347727	
03/04	C28	11	02-346307	
03/04	C28	24	02-346308	

Table 2 – Shaft and Key

MODEL CODE POSITION					⑤	⑥
9,10	11	25				
06	C	0	937011	4992727-003		
07	C	0	934574	–		
08	C	0	937009	–		
09	E/G	0	937008	114516		
11	E/G	0	934338	–		
17	E/G	0	937044	4992727-003		
18	E/G	0	937050	4992727-001		
06	C	A to M	937382	–		
07	C	A to M	937383	–		
08	C	A to M	937384	–		
09	E/G	A to M	937380	–		
11	E/G	A to M	937051	–		
17	E/H	A to M	939386	–		
18	E/H	A to M	937385	–		

Table 3 – Industrial Valve Plate

MODEL CODE POSITION			⑨
4, 5, 6	7, 8		
057	ER	943806	
057	MR	943970	
057	EL	943971	
057	ML	943972	
063	ER	943973	
063	MR	943974	
063	EL	943975	
063	ML	943976	

Table 4 – Mounting Flange

MODEL CODE POSITION				⑪
11	13, 14	15, 16		
C	01/02	00/AA/AC	934159	
C	01/02	AB/AD	937286	
C	03/04	00/AA/AC	937323	
C	03/04	AB/AD	937324	
D	03/04	00/AA/AC	937287	
D	03/04	AB/AD	937288	
E	01/02	00/AA/AC	937278	
E	01/02	AB/AD	937289	
E	03/04	00/AA/AC	937325	
E	03/04	AB/AD	937326	
F	03/04	00/AA/AC	937290	
F	03/04	AB/AD	937291	
G	01/02	00/AA/AC	934087	
G	01/02	AB/AD	934417	
G	03/04	00/AA/AC	937327	
G	03/04	AB/AD	937328	
H	03/04	00/AA/AC	937001	
H	03/04	AB/AD	937002	

Table 5 – Housing

MODEL CODE POSITION			⑳	㉑
13, 14				
01	934090	115046-010		
02	934090	115046-010		
03	934599	115050-022		
04	934599	115050-022		

Table 6 – End Cover (Non Thru Drive)

MODEL CODE POSITION			㉓
8	12, 13, 14		
R	S02	934088	
R	S04	937208	
L	S02	937209	
L	S04	937210	
R	E01	937375	
R	E02	937211	
R	E03	937376	
R	E04	937248	
L	E01	937377	
L	E02	934236	
L	E03	937144	
L	E04	937213	

Table 7 – End Cover (Thru Drive), Adapter and O-Rings

MODEL CODE POSITION			(23)	(69)	(71)	(72)
8	13, 14	25				
R	02	A/B	934251	–	–	576601
R	02	C/D	934251	934296	401525	576601
R	02	E/F	934251	934298	353264	576601
R	04	A/B	937257	–	–	576601
R	04	C/D	937257	934567	401525	576601
R	04	E/F	937257	934569	353264	576601
R	04	G/H	937378	–	–	943809
R	04	J/K	937257	934568	401525	943809
R	04	L/M	937257	934570	353264	943809
L	02	A/B	937258	–	–	576601
L	02	C/D	937258	934296	401525	576601
L	02	E/F	937258	934298	353264	576601
L	04	A/B	937259	–	–	576601
L	04	C/D	937259	934567	401525	576601
L	04	E/F	937259	934569	353264	576601
L	04	G/H	937379	–	–	943809
L	04	J/K	937259	934568	401525	943809
L	04	L/M	937259	934570	353264	943809

Table 8 – Coupling

MODEL CODE POSITION		(73)
25	REF	
A	A9	526682
B	A11	998637
C	B13	526694
D	B15	526695
E	C14	526696
G	MA11	998637
J	MB15	526695
L	MC14	526696

Torque Values

ITEM	TORQUE VALUES
2	31-37 Nm (23-27.4 ft-lb)
12	103-127 Nm (76.2-94 ft-lb)
22	75-83 Nm (55.5-61.4 ft-lb)
25	15-16 Nm (11.1-11.8 ft-lb)
26	29-32 Nm (21.5-23.7 ft-lb)
27	103-127 Nm (76.2-94 ft-lb)
28	103-127 Nm (76.2-94 ft-lb)
32	260-300 Nm (192.4-222 ft-lb)
35	18-24 Nm (13.3-17.8 ft-lb)
51	3,6-4,4 Nm (2,7-3,3 ft-lb)
68	12,9-14,9 Nm (9,6-11 ft-lb)
70	103-127 Nm (76.2-94 ft-lb)

Identification of Model Code

Model PVM057

Model PVM063

PVM 057 E R 09 E S 02 AA A 28 00 00 0 0 A 0 A

1 2 3 4 5 6 7 8 9 10 11 12 13 14 15 16 17 18 19 20 21 22 23 24 25 26 27 28

1 2 3 Pump series

PVM M-Series variable piston pump

4 5 6 Displacement

057 57.4 cm³/rev (3.50 in³/rev) 280 bar
063 63.1 cm³/rev (3.85 in³/rev) 230 bar

7 Valve plate

E Industrial (1800 rpm max)
M Mobile equipment speeds

8 Input rotation

R Clockwise (righthand)
L Counterclockwise (lefthand)

9 10 Input shaft

05 SAE J744-22-1 B straight key
06 SAE J744-25-1 B-B straight key
07 SAE J744-22-4 B 13T spline
08 SAE J744-25-4 B-B 15T spline
09 SAE J744-32-1 C straight key
10 SAE J744-38-1 C-C straight key
11 SAE J744-32-4 C 14T spline
12 SAE J744-38-4 C-C 17T spline

11 Mounting flange

C SAE J744-101-2 (SAE B 2 bolt)
E SAE J744-127-2 (SAE C 2 bolt)
G SAE J744-127-4 (SAE C 4 bolt)

12 Main port location

E End (na on thru drive)
S Side

13 14 Main port type

01 SAE J514 tube ports
02 SAE J518 flange ports
03 ISO 6149-1 tube ports
04 ISO 6162 flange ports

15 16 Pump special features

00 None (single shaft seal)
AA Adjustable maximum displacement stop and single shaft seal (standard)
AB Double shaft seal, two way
AD Adjustable maximum displacement stop and double shaft seal

17 Control

0 None
A Pressure compensator
B Pressure and flow compensator with bleed orifice
C Pressure and flow compensator with plugged orifice

18 19 Pressure comp setting

00 None
07 66-74 bar (957-1073 psi)
23 227-234 bar (3277-3393 psi)
063 cm³/rev
28 276-284 bar (4002-4118 psi)
057 cm³/rev

20 21 Flow comp setting

00 None
11 10-11 bar (145-174 psi)
20 19-21 bar (275.5-304.5 psi)
24 23-25 bar (333.5-362.5 psi)

22 23 Torque limiter setting

00 None

24 Compensator special features

0 None

25 Auxiliary mounting pad

0 None
A SAE A 2 bolt 9T spline
B SAE A 2 bolt 11T spline
C SAE B 2/4 bolt 13T spline
D SAE B-B 2/4 bolt 15T spline
E SAE C 2/4 bolt 14T spline

26 Paint

0 No paint
A Blue

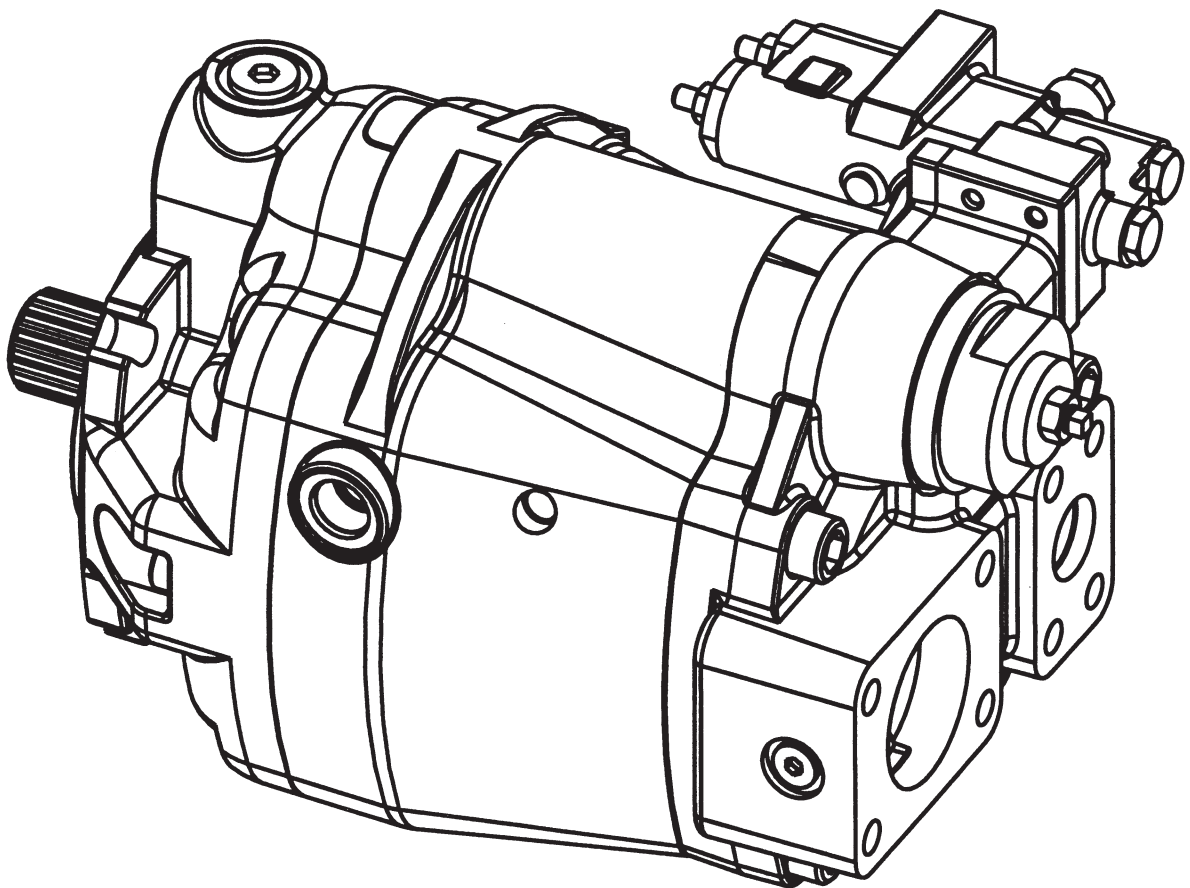
27 Customer identification

0 None

28 Design code

A A (initial release)

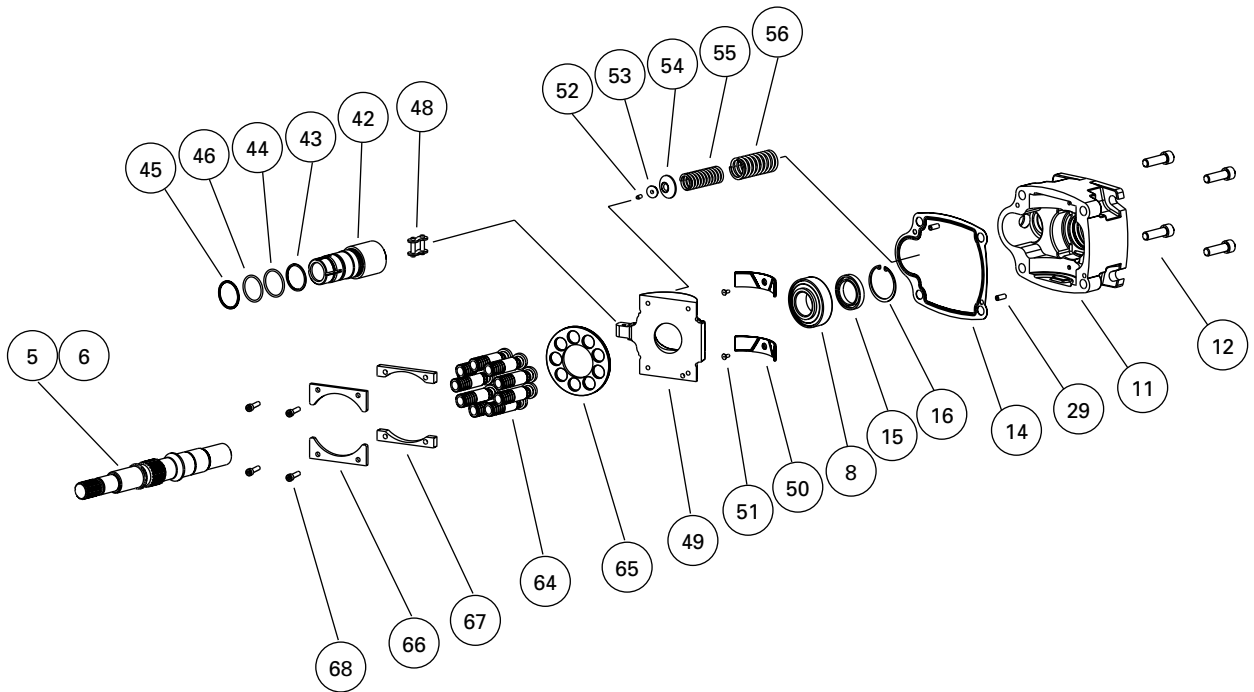
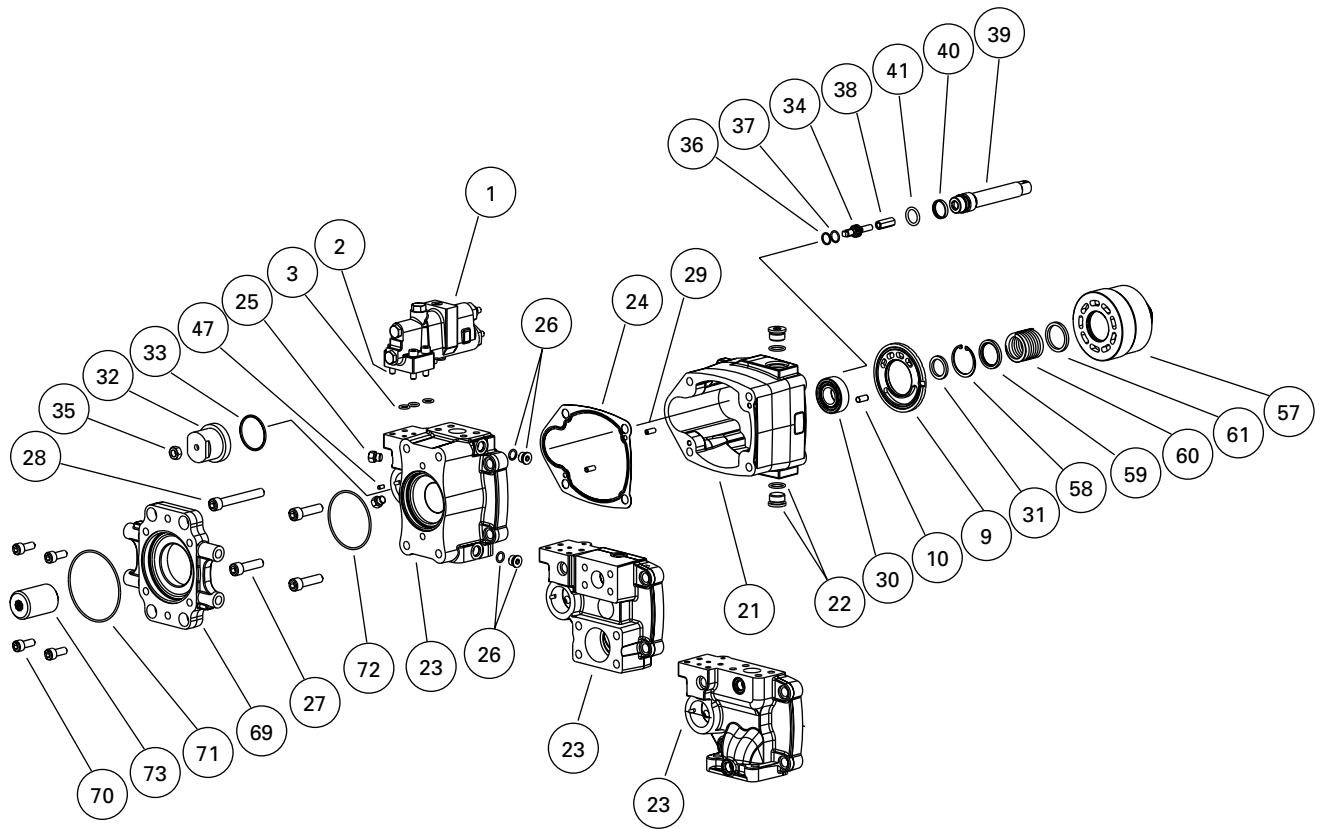
Model PVM074
Model PVM081



Identification of Parts

Model PVM074

Model PVM081



Parts List

Model PVM074

Model PVM081

ITEM	PART NO.	QTY.	NOTE	DESCRIPTION	ITEM	PART NO.	QTY.	NOTE	DESCRIPTION
1	See Table 1	1		Pressure Compensator	47	95902-050	1		Pin
2	114975-035	4	A G	Soc HD Cap Screw M5	48	943252	1	M	Chain Link
3	4992737-111	3	A B G	O-Ring	49	943356	1		Swashplate
4	Not Used	1		O-Ring	50	943378	2	D	Cradle Bearing
5	See Table 2	1		Drive Shaft	51	114995-010	2	D	Screw Socket Flat Head
6	See Table 2	1		Key	52	96201-062	1	D	Pin
7	Not Used			Retaining Ring	53	933071	1	D	Button
8	02-334431	1	E H	Bearing S/A	54	943411	1	D	Spring Seat
9	See Table 3	1		Valve Plate	55	Not Used			Inner Bias Spring
10	95904-068	1		Pin (Valve Plate)	56	943366	1		Outer Bias Spring
11	See Table 4	1		Mounting Flange	57	943351	1	C K	Cylinder Barrel (074)
12	114977-040	6		Soc HD Cap Screw M5	57	943376	1	C L	Cylinder Barrel (081)
13	Not Used			Soc HD Cap Screw M5	58	101680-193	1	C	Retaining Ring
14	943362	1	B	Flange Gasket	59	631568	1	C	Spring Guide, Outer
15	943427	1	B F	Shaft Seal	60	584454	1	C	Spring
16	101680-225	1	B F	Retaining Ring	61	584483	1	C	Spring Guide, Inner
17	Not Used			Seal Collar	62	Not Used			Pin Retainer
18	Not Used			Retaining Ring	63	Not Used			Pin
19	Not Used			O-Ring	64	02-305857	9	C K	Piston Shoe S/A (074)
20	Not Used			Filter	64	02-306364	9	C L	Piston Shoe S/A (081)
21	See Table 5	1		Housing	65	584474	1	C	Shoe Retainer
22	115046-010	2		O-Ring Plug S/A	66	690796	2	C	Hold Down Straps
23	See Tables 6&7	1		End Cover	67	526639	2	C	Spacer
24	943361	1	B	Gasket	68	114974-025	4	C	Screw
25	115046-002	8		O-Ring Plug S/A	69	See Table 7	1		Adapter
26	115046-006	3		O-Ring Plug S/A	70	473800	3		Screw
27	114978-060	4		Soc HD Cap Screw	71	See Table 7	1	B	O-Ring, Adapter
28	Not Used	1		Soc HD Cap Screw	72	See Table 7	1	B	O-Ring, End Cover
29	96201-062	4		Roll Pin	73	See Table 8	1		Coupling
30	02-334424	1	E	Bearing S/A	74	Not Used			Retaining Ring
31	4992186-xxx	A/R	J	Spacer					
32	943375	1		Control Cap					
33	4992737-138	1	B	O-Ring					
34	943380	1		Adjustment Screw					
35	4992732-002	1		Jam Nut					
36	8770-015	1	B	Back-Up Ring					
37	104166-015	1	B	O-Ring					
38	943381	1		Hex Stop					
39	943364	1		Control Piston					
40	943367	1	B	Glide Ring					
41	104166-118	1	B	O-Ring					
42	943363	1		Sleeve					
43	115000-131	1	B	Back-Up Ring					
44	104166-131	1	B	O-Ring					
45	115000-129	1	B	Back-Up Ring					
46	104166-129	1	B	O-Ring					

- A Available in control kit. See Table 1.
- B Available in seal kit 9900107-000.
- C Available in rotating group kit 877421 for PVM074 or rotating group kit 314746 for PVM081.
- D Available in yoke and saddle bearing kit 9900117-000.
- E Available in shaft bearing kit 02-334431.
- F Available in single shaft seal kit 02-334433. Equivalent double shaft seal kit 02-340717.
- G Available in control mounting kit 9900105-000.
- H Seat bearing cone against shoulder.
- J Use to shim as required to obtain 0,01 to 0,10 mm (0.00039 to 0.0039 in.) axial shaft end play.
- K For PVM074 only.
- L For PVM081 only.
- M Warning: Use Vickers authorized chain link only. Cotter pins on industry standard chain link will fail.

Parts Tables 1-8

Table 1 – Pressure Compensator

MODEL CODE POSITION				①
13, 14	17, 18, 19	20, 21		
All	A28	00	02-346262	
All	A07	00	–	
02	B28	11	02-346265	
02	B28	24	02-346266	
02	C07	24	–	
02	C28	11	02-346263	
02	C28	24	02-346264	
04	B07	11	–	
04	B07	24	–	
04	B28	11	–	
04	B28	24	–	
04	C28	11	02-346267	
04	C28	24	02-346268	

Table 2 – Shaft and Key

MODEL CODE POSITION				⑤	⑥
9, 10	25				
09	0		943428	–	
10	0		943429	–	
11	0		943368	–	
12	0		943430	–	
18	0		943431	4992727-001	
19	0		943432	–	
09	A-M		943433	–	
10	A-M		943434	–	
11	A-M		943435	–	
12	A-M		943436	–	
18	A-M		943437	4992727-001	
19	A-M		943438	–	

Table 3 – Industrial Valve Plate

MODEL CODE POSITION				⑨
4, 5, 6	7, 8			
074	ER		943365	
074	MR		943439	
074	EL		943440	
074	ML		943441	
081	ER		943442	
081	MR		943443	
081	EL		943444	
081	ML		943445	

Table 4 – Mounting Flange

MODEL CODE POSITION				⑪
11	13, 14	15, 16		
E	02	00/AA/AC	943396	
E	02	AB/AD	943998	
E	04	00/AA/AC	943400	
E	04	AB/AD	943404	
F	04	00/AA/AC	943401	
F	04	AB/AD	943405	
G	02	00/AA/AC	943352	
G	02	AB/AD	943373	
G	04	00/AA/AC	943402	
G	04	AB/AD	943406	
H	04	00/AA/AC	943403	
H	04	AB/AD	943407	

Table 5 – Housing

MODEL CODE POSITION			⑳
13, 14			
	02		943354
	04		943412

Table 6 – End Cover (Non Thru Drive)

MODEL CODE POSITION				㉓
8	12, 13, 14			
R	S02		943358	
R	S04		943416	
L	S02		943385	
L	S04		943423	
R	E02		943388	
R	E04		943414	
L	E02		943383	
L	E04		943421	

Table 7 – End Cover (Thru Drive), Adapter and O-Rings

MODEL CODE POSITION			(23)	(69)	(71)	(72)
8	13, 14	25				
R	02	A/B	943391	–	–	576601
R	02	C/D	943391	934296	401525	576601
R	02	E/F	943391	934298	353264	576601
R	04	A/B	943418	–	–	943809
R	04	C/D	943418	934567	401525	943809
R	04	E/F	943418	934298	353264	943809
R	04	G/H	943419	–	–	943809
R	04	J/K	943419	934568	943810	943809
R	04	L/M	943419	934570	943811	943809
L	02	A/B	943393	–	–	576601
L	02	C/D	943393	934296	401525	576601
L	02	E/F	943393	934298	353264	576601
L	04	A/B	943425	–	–	576601
L	04	C/D	943425	934296	401525	576601
L	04	E/F	943425	934569	353264	576601
L	04	G/H	943426	–	–	943809
L	04	J/K	943426	934296	943810	943809
L	04	L/M	943426	934570	943811	943809

Table 8 – Coupling

MODEL CODE POSITION		(73)
25	REF	
A	A9	864460
B	A11	913314
C	B13	864457
D	B15	864459
E	C14	864458
F	C17	864461

Torque Values

ITEM	TORQUE VALUES
2	31-37 Nm (23-27.4 ft-lb)
12	103-127 Nm (76.2-94 ft-lb)
22	75-83 Nm (55.5-61.4 ft-lb)
25	15-16 Nm (11.1-11.8 ft-lb)
26	29-32 Nm (21.5-23.7 ft-lb)
27	103-127 Nm (76.2-94 ft-lb)
32	260-300 Nm (192.4-222 ft-lb)
35	18-24 Nm (13.3-17.8 ft-lb)
51	3,6-4,4 Nm (2,7-3,3 ft-lb)
68	12,9-14,9 Nm (9,6-11 ft-lb)
70	103-127 Nm (76.2-94 ft-lb)

Identification of Model Code

Model PVM074

Model PVM081

PVM 074 E R 10 E S 02 AA A 28 00 00 0 0 A 0 A

1 2 3 4 5 6 7 8 9 10 11 12 13 14 15 16 17 18 19 20 21 22 23 24 25 26 27 28

1 2 3 Pump series

PVM M-Series variable piston pump

4 5 6 Displacement

074 73.7cm³/rev (4.5 in³/rev) 280 bar
081 81.0cm³/rev (4.94 in³/rev) 230 bar

7 Valve plate

E Industrial (1800 rpm max)
M Mobile equipment speeds

8 Input rotation

R Clockwise (righthand)
L Counterclockwise (lefthand)

9 10 Input shaft

09 SAE J744-32-1 C straight key
10 SAE J744-38-1 C-C straight key
11 SAE J744-32-1 C 14T spline
12 SAE J744-38-1 C-C 17T spline

11 Mounting flange

E SAE J744-127-2 (SAE C 2 bolt)
G SAE J744-127-4 (SAE C 4 bolt)

12 Main port location

E End (na on thru drive)
S Side

13 14 Main port type

02 SAE J518 flange ports
04 ISO 6162 flange ports

15 16 Pump special features

00 None (single shaft seal)
AA Adjustable maximum displacement stop and single shaft seal (standard)
AB Double shaft seal, two way
AD Adjustable maximum displacement stop and double shaft seal

17 Control

0 None
A Pressure compensator
B Pressure and flow compensator with bleed orifice
C Pressure and flow compensator with plugged orifice

18 19 Pressure comp setting

00 None
07 66-74 bar (957-1073 psi)
23 227-234 bar (3277-3393 psi)
081 cm³/rev
28 276-284 bar (4002-4118 psi)
074 cm³/rev

20 21 Flow comp setting

00 None
11 10-11 bar (145-174 psi)
20 19-21 bar (275.5-304.5 psi)
24 23-25 bar (333.5-362.5 psi)

22 23 Torque limiter setting

00 None

24 Compensator special features

0 None

25 Auxiliary mounting pad

0 None
A SAE A 2 bolt 9T spline
B SAE A 2 bolt 11T spline
C SAE B 2/4 bolt 13T spline
D SAE B-B 2/4 bolt 15T spline
E SAE C 2/4 bolt 14T spline
F SAE C-C 2/4 bolt 17T spline

26 Paint

0 No paint
A Blue (standard)

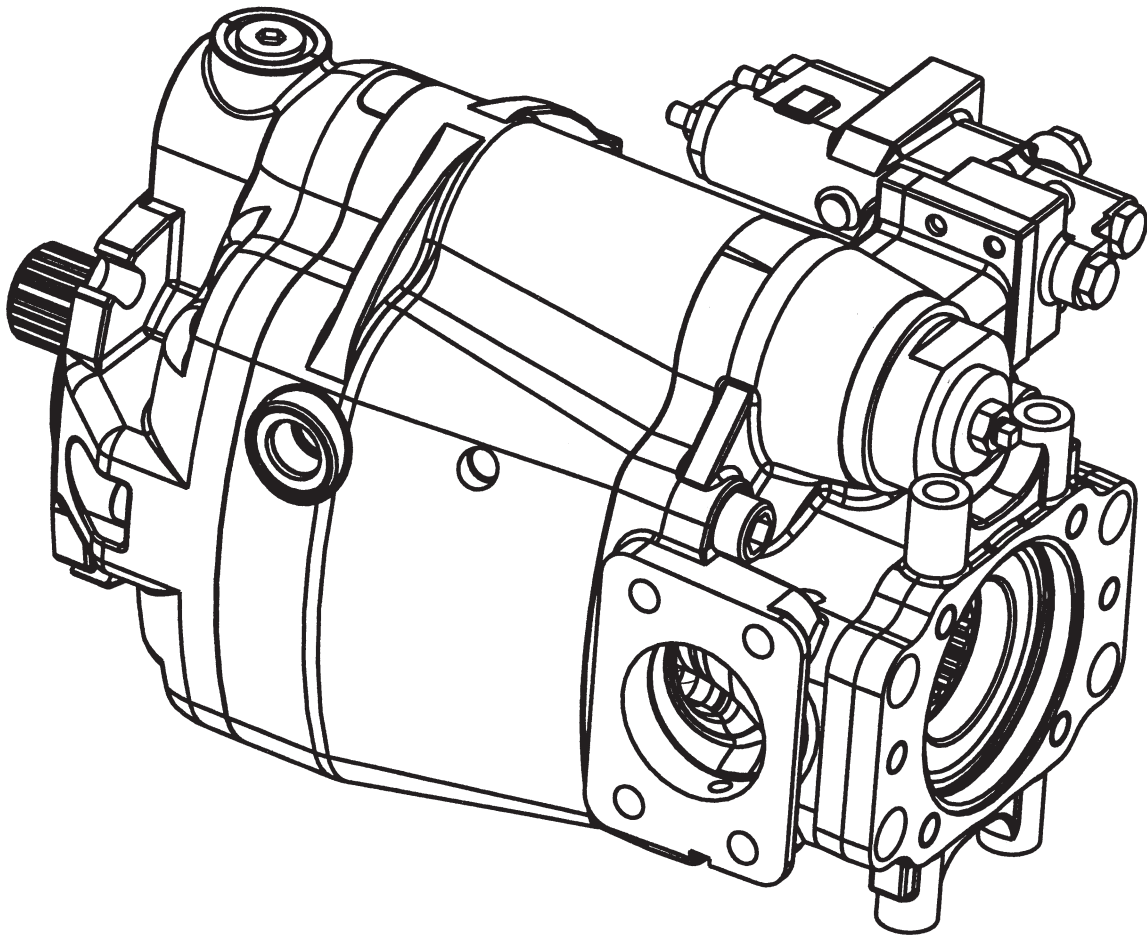
27 Customer identification

0 None

28 Design code

A A (initial release)

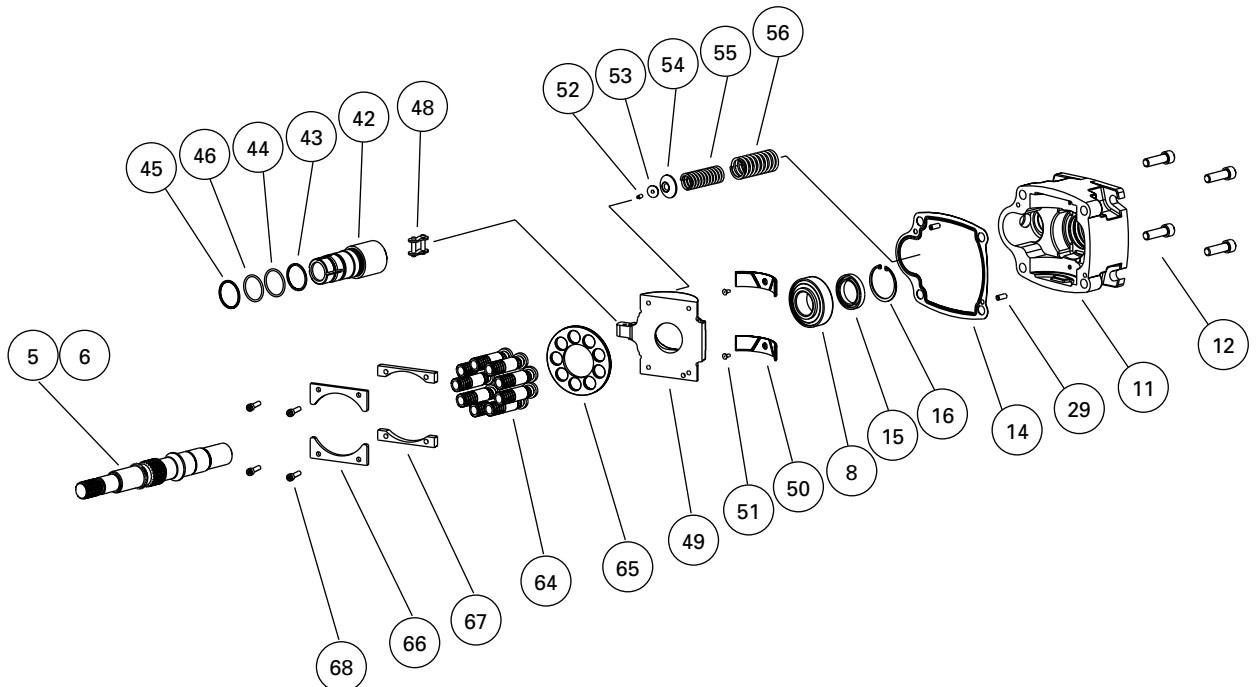
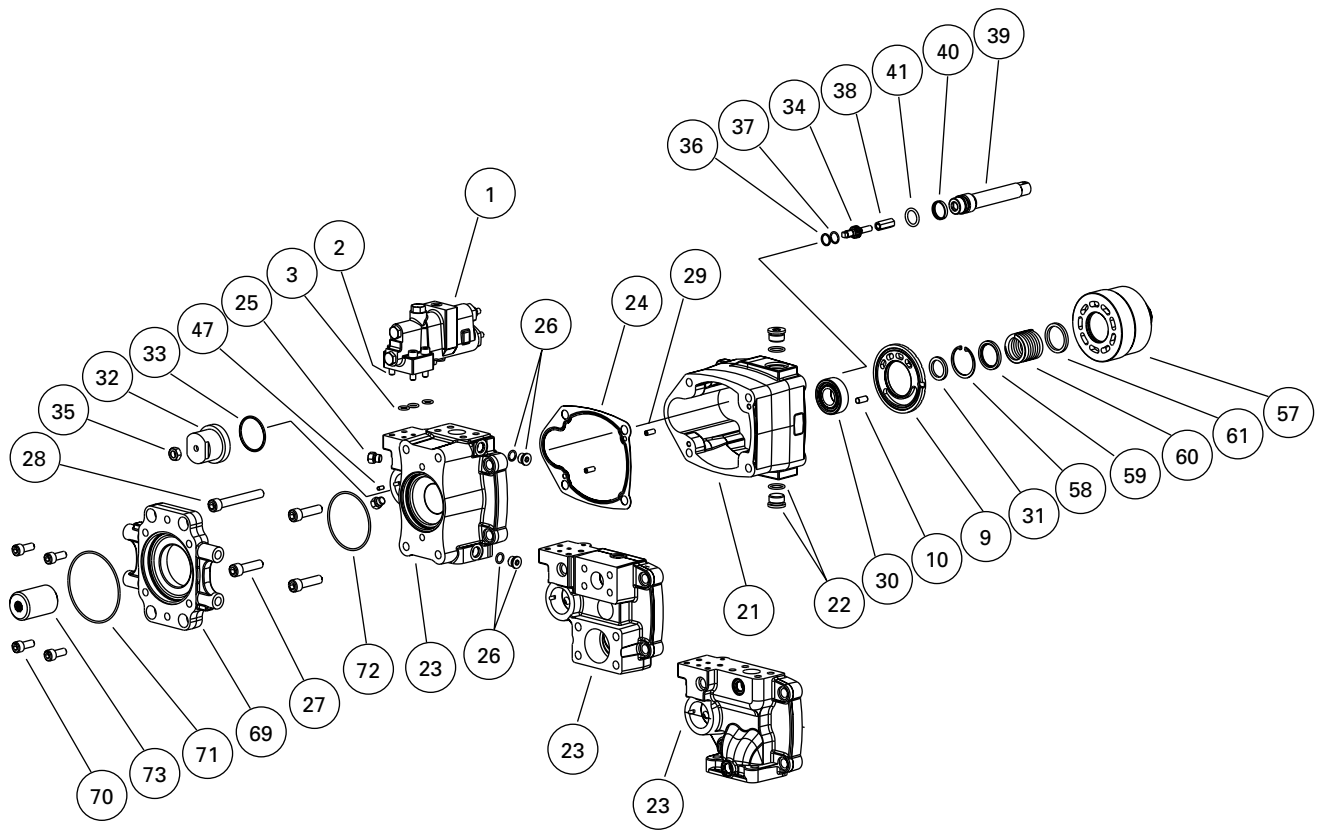
Model PVM098
Model PVM106



Identification of Parts

Model PVM098

Model PVM106



Parts List

Model PVM098

Model PVM106

ITEM	PART NO.	QTY.	NOTE	DESCRIPTION	ITEM	PART NO.	QTY.	NOTE	DESCRIPTION
1	See Table 1	1		Pressure Compensator	47	95902-050	1		Pin
2	114975-035	4	A G	Soc HD Cap Screw M5	48	943252	1	M	Chain Link
3	4992737-111	3	A B G	O-Ring	49	943206	1		Swashplate
4	Not Used			O-Ring	50	943226	2	D	Cradle Bearing
5	See Table 2	1		Drive Shaft	51	114995-010	2	D	Screw Socket Flat Head
6	See Table 2	1		Key	52	96201-062	1	D	Pin
7	Not Used			Retaining Ring	53	933071	1	D	Button
8	02-334431	1	E H	Bearing S/A	54	943219	1	D	Spring Seat
9	See Table 3	1		Valve Plate	55	Not Used			Inner Bias Spring
10	95904-068	1		Pin (Valve Plate)	56	943216	1		Outer Bias Spring
11	See Table 4	1		Mounting Flange	57	943201	1	C K	Cylinder Barrel (098)
12	114977-040	6		Soc HD Cap Screw M5	57	943223	1	C L	Cylinder Barrel (106)
13	Not Used	1		Soc HD Cap Screw M5	58	101680-212	1	C	Retaining Ring
14	943212	1	B	Flange Gasket	59	584547	1	C	Spring Guide, Outer
15	943427	1	B F	Shaft Seal	60	627192	1	C	Spring
16	101680-225	1	B F	Retaining Ring	61	584546	1	C	Spring Guide, Inner
17	Not Used			Seal Collar	62	Not Used			Pin Retainer
18	Not Used			Retaining Ring	63	Not Used			Pin
19	Not Used			O-Ring	64	02-152400	9	C K	Piston Shoe S/A (098)
20	Not Used			Filter	64	02-306365	9	C L	Piston Shoe S/A (106)
21	See Table 5	1		Housing	65	584539	1	C	Shoe Retainer
22	115046-010	2		O-Ring Plug S/A	66	513626	2	C	Hold Down Straps
23	See Tables 6&7	1		End Cover	67	513625	2	C	Spacer
24	943211	1	B	Gasket	68	114975-030	4	C	Screw
25	115046-002	7		O-Ring Plug S/A	69	See Table 7	1		Adapter
26	115046-006	3		O-Ring Plug S/A	70	473800	3		Screw
27	114978-060	3		Soc HD Cap Screw	71	See Table 7	1	B	O-Ring, Adapter
28	114978-090	1		Soc HD Cap Screw	72	See Table 7	1	B	O-Ring, End Cover
29	96201-062	4		Roll Pin	73	See Table 8	1		Coupling
30	02-334432	1	E	Bearing S/A	74	Not Used	1		Retaining Ring
31	4992185-xxx	A/R	J	Spacer					
32	943222	1		Control Cap					
33	4992737-138	1	B	O-Ring					
34	943227	1		Adjustment Screw					
35	4992732-002	1		Jam Nut					
36	8770-015	1	B	Back-Up Ring					
37	104166-015	1	B	O-Ring					
38	943228	1		Hex Stop					
39	943214	1		Control Piston					
40	943367	1	B	Glide Ring					
41	104166-118	1	B	O-Ring					
42	943213	1		Sleeve					
43	115000-131	1	B	Back-Up Ring					
44	104166-131	1	B	O-Ring					
45	115000-129	1	B	Back-Up Ring					
46	104166-129	1	B	O-Ring					

- A Available in control kit. See Table 1.
- B Available in seal kit 9900109-000.
- C Available in rotating group kit 877422 for PVM098 or rotating group kit 159812 for PVM106.
- D Available in yoke and saddle bearing kit 9900106-000.
- E Available in shaft bearing kit 9900110-000.
- F Available in single shaft seal kit 02-334433. Equivalent double shaft seal kit 02-340717.
- G Available in control mounting kit 9900105-000.
- H Seat bearing cone against shoulder.
- J Use to to shim as required to obtain 0,01 to 0,10 mm (0.00039 to 0.0039 in.) axial shaft end play.
- K For PVM098 only.
- L For PVM106 only.
- M Warning: Use Vickers authorized chain link only. Cotter pins on industry standard chain link will fail.

Parts Tables 1-8

Table 1 – Pressure Compensator

MODEL CODE POSITION				①
13,14	17, 18, 19	20, 21		
All	A28	00	02-346262	
All	A07	00	–	
02	B28	11	02-346265	
02	B28	24	02-346266	
02	C07	24	–	
02	C28	11	02-346263	
02	C28	24	02-346264	
04	B07	11	–	
04	B07	24	–	
04	B28	11	–	
04	B28	24	–	
04	C28	11	02-346267	
04	C28	24	02-346268	

Table 2 – Shaft and Key

MODEL CODE POSITION				⑤	⑥
9, 10	25				
09	0	943305	–		
10	0	943306	–		
11	0	943218	–		
12	0	943307	–		
18	0	943308	4992727-001		
19	0	943309	–		
09	A-M	943310	–		
10	A-M	943311	–		
11	A-M	943312	–		
12	A-M	943313	–		
18	A-M	943314	4992727-001		
19	A-M	943315	–		

Table 3 – Valve Plate

MODEL CODE POSITION				⑨
4, 5, 6	7, 8			
098	ER	943316		
098	MR	943219		
098	EL	943317		
098	ML	943318		
106	ER	943342		
106	MR	943343		
106	EL	943344		
106	ML	943345		

Table 4 – Mounting Flange

MODEL CODE POSITION				⑪
11	13, 14	15, 16		
E	02	00/AA/AC	943275	
E	02	AB/AD	943341	
E	04	00/AA/AC	943277	
E	04	AB/AD	943281	
F	04	00/AA/AC	943278	
F	04	AB/AD	943282	
G	02	00/AA/AC	943202	
G	02	AB/AD	943220	
G	04	00/AA/AC	943279	
G	04	AB/AD	943283	
H	04	00/AA/AC	943280	
H	04	AB/AD	943284	

Table 5 – Housing

MODEL CODE POSITION		⑳
13, 14		
02	943204	
04	943289	

Table 6 – End Cover (Non Thru Drive)

MODEL CODE POSITION			㉓
8	12, 13, 14		
R	S02	943208	
R	S04	943293	
L	S02	943235	
L	S04	943300	
R	E02	943238	
R	E04	943291	
L	E02	943241	
L	E04	943298	

Table 7 – End Cover (Thru Drive), Adapter and O-Rings

MODEL CODE POSITION			(23)	(69)	(71)	(72)
8	13, 14	25				
R	02	A/B	943246	–	–	576601
R	02	C/D	943246	934296	401525	576601
R	02	E/F	943246	934298	353264	576601
R	04	A/B	943295	–	–	943809
R	04	C/D	943295	934567	401525	943809
R	04	E/F	943295	934569	353264	943809
R	04	G/H	943296	–	–	943809
R	04	J/K	943296	934568	943810	943809
R	04	L/M	943296	934570	943811	943809
L	02	A/B	943246	–	–	576601
L	02	C/D	943246	934296	401525	576601
L	02	E/F	943246	934298	353264	576601
L	04	A/B	943302	–	–	576601
L	04	C/D	943302	934567	401525	576601
L	04	E/F	943302	934569	353264	576601
L	04	G/H	943303	–	–	943809
L	04	J/K	943303	934568	943810	943809
L	04	L/M	943303	934570	943811	943809

Table 8 – Coupling

MODEL CODE POSITION		(73)
25	REF	
A	A9	864460
B	A11	913314
C	B13	864457
D	B15	864459
E	C14	864458
F	C17	864461

Torque Values

ITEM	TORQUE VALUES
2	31-37 Nm (23-27.4 ft-lb)
12	103-127 Nm (76.2-94 ft-lb)
22	75-83 Nm (55.5-61.4 ft-lb)
25	15-16 Nm (11.1-11.8 ft-lb)
26	29-32 Nm (21.5-23.7 ft-lb)
27	103-127 Nm (76.2-94 ft-lb)
28	103-127 Nm (76.2-94 ft-lb)
32	260-300 Nm (192.4-222 ft-lb)
35	18-24 Nm (13.3-17.8 ft-lb)
51	3,6-4.4 Nm (2.7-3.3 ft-lb)
68	12,9-14,9 Nm (9.6-11 ft-lb)
70	103-127 Nm (76.2-94 ft-lb)

Identification of Model Code

Model PVM098

Model PVM106

PVM 098 E R 10 E S 02 AA A 28 00 00 0 0 A 0 A

1 2 3 4 5 6 7 8 9 10 11 12 13 14 15 16 17 18 19 20 21 22 23 24 25 26 27 28

1 2 3 Pump series

PVM M-Series variable piston pump

4 5 6 Displacement

098 98.3cm³/rev (6.0 in³/rev) 280 bar
106 106.5cm³/rev (6.5 in³/rev) 230 bar

7 Valve plate

E Industrial (1800 rpm max)
M Mobile equipment speeds

8 Input rotation

R Clockwise (righthand)
L Counterclockwise (lefthand)

9 10 Input shaft

09 SAE J744-32-1 C straight key
10 SAE J744-38-1 C-C straight key
11 SAE J744-32-1 C 14T spline
12 SAE J744-38-1 C-C 17T spline

11 Mounting flange

E SAE J744-127-2 (SAE C 2 bolt)
G SAE J744-127-4 (SAE C 4 bolt)

12 Main port location

E End (na on thru drive)
S Side

13 14 Main port type

02 SAE J518 flange ports
04 ISO 6162 flange ports

15 16 Pump special features

00 None (single shaft seal)
AA Adjustable maximum displacement stop and single shaft seal (standard)
AB Double shaft seal, two way
AD Adjustable maximum displacement stop and double shaft seal

17 Control

0 None
A Pressure compensator
B Pressure and flow compensator with bleed orifice
C Pressure and flow compensator with plugged orifice

18 19 Pressure comp setting

00 None
07 66-74 bar (957-1073 psi)
23 227-234 bar (3277-3393 psi)
106 cm³/rev
28 276-284 bar (4002-4118 psi)
098 cm³/rev

20 21 Flow comp setting

00 None
11 10-11 bar (145-174 psi)
20 19-21 bar (275.5-304.5 psi)
24 23-25 bar (333.5-362.5 psi)

22 23 Torque limiter setting

00 None

24 Compensator special features

0 None

25 Auxiliary mounting pad

0 None
A SAE A 2 bolt 9T spline
B SAE A 2 bolt 11T spline
C SAE B 2/4 bolt 13T spline
D SAE B-B 2/4 bolt 15T spline
E SAE C 2/4 bolt 14T spline
F SAE C-C 2/4 bolt 17T spline

26 Paint

0 No paint
A Blue (standard)

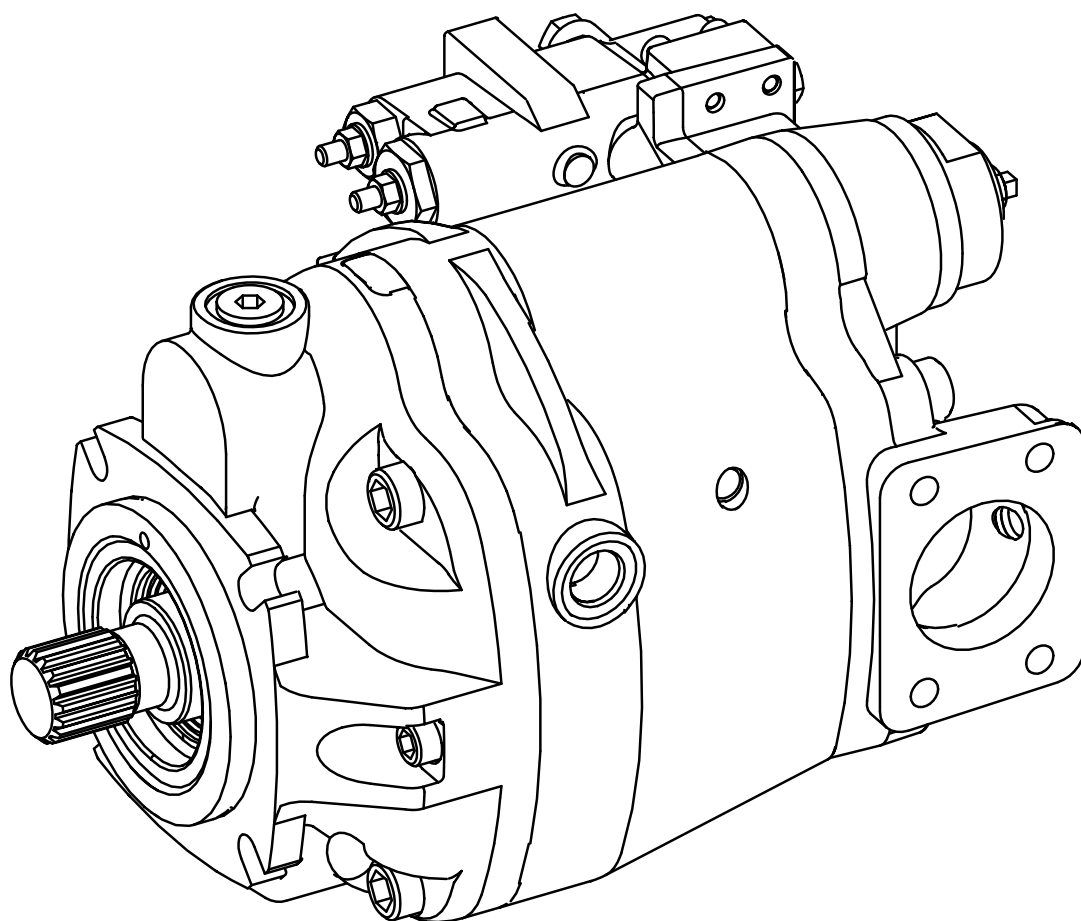
27 Customer identification

0 None

28 Design code

A A (initial release)

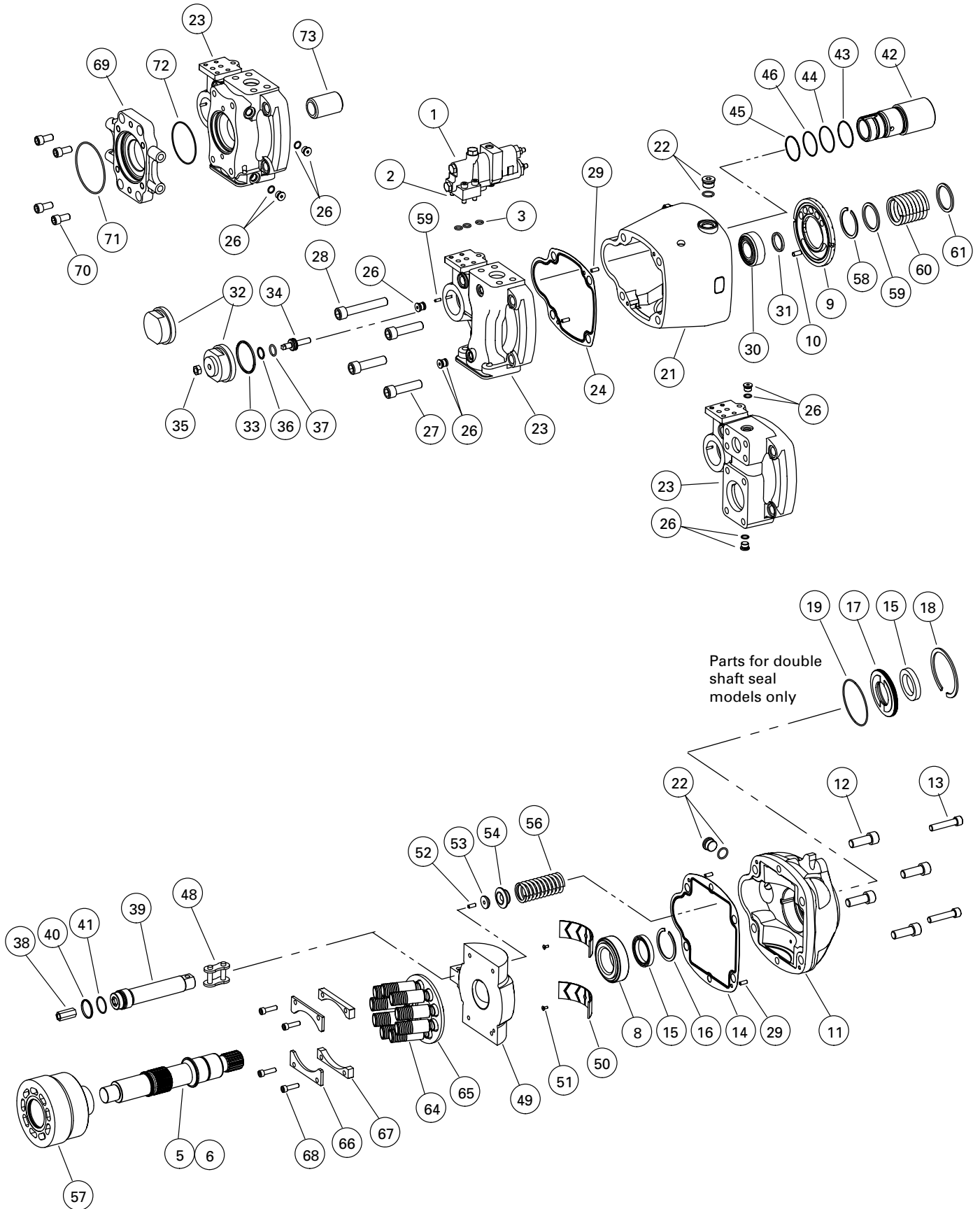
Model PVM131
Model PVM141



Identification of Parts

Model PVM131

Model PVM141



Parts List

Model PVM131

Model PVM141

ITEM	PART NO.	QTY.	NOTE	DESCRIPTION	ITEM	PART NO.	QTY.	NOTE	DESCRIPTION
1	See Table 1	1		Pressure Compensator	47	95902-050	1		Pin
2	114975-035	4	A G	Soc HD Cap Screw M5	48	934026	1	M	Chain Link
3	4992737-111	3	A B G	O-Ring	49	933089	1		Swashplate
4	Not Used			O-Ring	50	933095	2	D	Cradle Bearing
5	See Table 2	1		Drive Shaft	51	114995-010	2	D	Screw Socket Flat Head
6	See Table 2	1		Key	52	96201-062	1	D	Pin
7	Not Used			Retaining Ring	53	933071	1	D	Button
8	388206	1	E H	Bearing S/A	54	933081	1	D	Spring Seat
9	See Table 3	1		Valve Plate	55	Not Used			Inner Bias Spring
10	95904-068	1		Pin (Valve Plate)	56	933079	1	C	Outer Bias Spring
11	See Table 4	1		Mounting Flange	57	933082	1	C K	Cylinder Barrel (131)
12	114978-045	4		Soc HD Cap Screw M5	57	937030	1	C L	Cylinder Barrel (141)
13	114977-060	2		Soc HD Cap Screw M5	58	101680-231	1	C	Retaining Ring
14	933088	1	B	Flange Gasket	59	581104	1	C	Spring Guide, Outer
15	864200	1	B F	Shaft Seal	60	626111	1	C	Spring
16	115019-250	1	B F	Retaining Ring	61	417667	1	C	Spring Guide, Inner
17	934403	1		Seal Collar	62	Not Used			Pin Retainer
18	115018-350	1	B F	Retaining Ring	63	Not Used			Pin
19	104166-152	1		O-Ring	64	02-159749	9	C K	Piston Shoe S/A (131)
20	882993			Filter	64	02-306332	9	C L	Piston Shoe S/A (141)
21	See Table 5	1		Housing	65	683791	1	C K	Shoe Retainer (131)
22	115046-010	2		O-Ring Plug S/A	65	928776	1	C L	Shoe Retainer (141)
23	See Tables 6&7	1		End Cover	66	526758	2	C	Hold Down Straps
24	933087	1	B	Gasket	67	526757	2	C	Spacer
25	Not Used			O-Ring Plug S/A	68	114975-030	4	C	Screw
26	115046-006	2		O-Ring Plug S/A	69	See Table 7	1		Adapter
27	114978-065	3		Soc HD Cap Screw	70	473800	3		Screw
28	114978-100	1		Soc HD Cap Screw	71	See Table 7	1	B	O-Ring, Adapter
29	96201-062	4		Roll Pin	72	See Table 7	1	B	O-Ring, End Cover
30	02-328957	1	E	Bearing S/A	73	See Table 8	1		Coupling
31	4992187-xxx	A/R	J	Spacer	74	Not Used			Retaining Ring
32	934488	1		Control Cap					
33	933080	1	B	O-Ring					
34	934474	1		Adjustment Screw					
35	4992732-002	1		Jam Nut					
36	8770-116	1	B	Back-Up Ring					
37	104166-116	1	B	O-Ring					
38	934466	1		Hex Stop					
39	933049	1		Control Piston					
40	933078	1	B	Glide Ring					
41	104166-123	1	B	O-Ring					
42	933076	1		Sleeve					
43	114998-033	1	B	Back-Up Ring					
44	104166-033	1	B	O-Ring					
45	114998-032	1	B	Back-Up Ring					
46	104166-032	1	B	O-Ring					

- A Available in control kit, Table 1.
- B Available in seal kit 02-346168.
- C Available in rotating group kit 02-346169 for PVM131 or rotating group kit 02-322898 for PVM141.
- D Available in yoke and saddle bearing kit 02-346170.
- E Available in shaft bearing kit 02-346171.
- F Available in single shaft seal kit 02-346173. Equivalent double shaft seal kit 02-346174.
- G Available in control mounting kit 9900105-000.
- H Seat bearing cone against shoulder.
- J Use to to shim as required to obtain 0,01 to 0,10 mm (0.00039 to 0.0039 in.) axial shaft end play.
- K For PVM131 only.
- L For PVM141 only.
- M Warning: Use Vickers authorized chain link only. Cotter pins on industry standard chain link will fail.

Parts Tables 1-8

Table 1 – Pressure Compensator

MODEL CODE POSITION				①
13, 14	17, 18, 19	20, 21		
All	A28	00	02-346262	
All	A07	00	–	
02	B28	11	02-346265	
02	B28	24	02-346266	
02	C07	24	–	
02	C28	11	02-346263	
02	C28	24	02-346264	
04	B07	11	–	
04	B07	24	–	
04	B28	11	–	
04	B28	24	–	
04	C28	11	02-346267	
04	C28	24	02-346268	

Table 2 – Drive Shaft and Key

MODEL CODE POSITION					⑤	⑥
9, 10	11	25				
09	E/G	0	934463	114516		
10	E/G	0	934420	140282		
11	E/G	0	934464	–		
12	E/G	0	933098	–		
13	J	0	934462	633260		
14	J	0	934285	–		
18	F/H	0	934465	928546		
19	F/H	0	934467	928547		
09	E/G	A-F	934469	114516		
10	E/G	A-F	934471	140282		
11	E/G	A-F	934470	–		
12	E/G	A-F	934295	–		
13	J	A-F	934472	633260		
14	J	A-F	934321	–		
18	F/H	A-F	934473	928546		
19	F/H	A-F	934475	928547		

Table 3 – Industrial Valve Plate

MODEL CODE POSITION			⑨
4, 5, 6	7, 8		
057	ER	937017	
057	MR	933083	
057	EL	937167	
057	ML	937168	
063	ER	937169	
063	MR	934292	
063	EL	937170	
063	ML	937171	

Table 4 – Mounting Flange

MODEL CODE POSITION				⑪
11	13, 14	15, 16		
E	02	00/AA/AC	934520	
E	02	AB/AD	934522	
F	04	00/AA/AC	934525	
F	04	AB/AD	934527	
G	02	00/AA/AC	933091	
G	02	AB/AD	934404	
G	04	00/AA/AC	934558	
G	04	AB/AD	934562	
H	04	00/AA/AC	934554	
H	04	AB/AD	934556	
J	02	00/AA/AC	934282	
J	02	AB/AD	934571	
J	04	00/AA/AC	934560	
J	04	AB/AD	934564	
K	04	00/AA/AC	934555	
K	04	AB/AD	934565	

Table 5 – Housing

MODEL CODE POSITION		⑳
13, 14		
02	933093	
04	934566	

Table 6 – End Cover (Non Thru Drive)

MODEL CODE POSITION			㉓
8	12, 13, 14		
R	S02	933096	
R	S04	934499	
L	S02	934289	
L	S04	934504	
R	E02	934413	
R	E04	934498	
L	E02	934502	
L	E04	934503	

Table 7 – End Cover (Thru Drive), Adapter and O-Rings

MODEL CODE POSITION			(23)	(69)	(71)	(72)
8	13, 14	25				
R	02	A/B	934284	–	–	576601
R	02	C/D	934284	934296	401525	576601
R	02	E/F	934284	934298	353264	576601
R	04	A/B	934500	–	–	943809
R	04	C/D	934500	934567	401525	943809
R	04	E/F	934500	934569	353264	943809
R	04	G/H	934501	–	–	943809
R	04	J/K	934501	934568	943810	943809
R	04	L/M	934501	934570	943811	943809
L	02	A/B	934505	–	–	576601
L	02	C/D	934505	934296	401525	576601
L	02	E/F	934505	934298	353264	576601
L	04	A/B	934506	–	–	576601
L	04	C/D	934506	934567	401525	576601
L	04	E/F	934506	934569	353264	576601
L	04	G/H	934507	–	–	943809
L	04	J/K	934507	934568	943810	943809
L	04	L/M	934507	934570	943811	943809

Table 8 – Coupling

MODEL CODE POSITION		(73)
25	REF	
A	A9	877039
B	A11	913411
C	B13	877040
D	B15	877044
E	C14	877045
F	C17	877046

Torque Values

ITEM	TORQUE VALUES
2	31-37 Nm (23-27.4 ft-lb)
12	257-315 Nm (190-232 ft-lb)
13	103-127 Nm (76-94 ft-lb)
22	75-83 Nm (55-61 ft-lb)
26	29-32 Nm (21-23 ft-lb)
27	57-315 Nm (190-232 ft-lb)
28	257-315 Nm (190-232 ft-lb)
32	236-265 Nm (174-195 ft-lb)
35	24-30 Nm (17-22 ft-lb)
51	3,6-4,4 Nm (2.6-3.2 ft-lb)
68	31-37 Nm (23-27 ft-lb)
70	103-127 Nm (76-94 ft-lb)

Identification of Model Code

Model PVM131

Model PVM141

PVM 131 E R 10 E S 02 AA A 28 00 00 0 0 A 0 A

1 2 3 4 5 6 7 8 9 10 11 12 13 14 15 16 17 18 19 20 21 22 23 24 25 26 27 28

1 2 3 Pump series

PVM M-Series variable piston pump

4 5 6 Displacement

131 131.1cm³/rev (8.0 in³/rev) 280 bar
141 141.0cm³/rev (8.6 in³/rev) 230 bar

7 Valve plate

E Industrial (1800 rpm max)
M Mobile equipment speeds

8 Input rotation

R Clockwise (righthand)
L Counterclockwise (lefthand)

9 10 Input shaft

09 SAE J744-32-1 C straight key
10 SAE J744-38-1 C-C straight key
11 SAE J744-32-1 C 14T spline
12 SAE J744-38-1 C-C 17T spline
13 SAE J744-44-1 D straight key
14 SAE J744-44-2 D 13T spline

11 Mounting flange

E SAE J744-127-2 (SAE C 2 bolt)
G SAE J744-127-4 (SAE C 4 bolt)
J SAE J744-152-4 (SAE D 4 bolt)

12 Main port location

E End (na on thru drive)
S Side

13 14 Main port type

02 SAE J518 flange ports
04 ISO 6162 flange ports

15 16 Pump special features

00 None (single shaft seal)
AA Adjustable maximum displacement stop and single shaft seal (standard)
AB Double shaft seal, two way
AD Adjustable maximum displacement stop and double shaft seal

17 Control

0 None
A Pressure compensator
B Pressure and flow compensator with bleed orifice
C Pressure and flow compensator with plugged orifice

18 19 Pressure comp setting

00 None
07 66-74 bar (957-1073 psi)
23 227-234 bar (3277-3393 psi)
141 cm³/rev
28 276-284 bar (4002-4118 psi)
131 cm³/rev

20 21 Flow comp setting

00 None
11 10-11 bar (145-174 psi)
20 19-21 bar (275.5-304.5 psi)
24 23-25 bar (333.5-362.5 psi)

22 23 Torque limiter setting

00 None

24 Compensator special features

0 None

25 Auxiliary mounting pad

0 None
A SAE A 2 bolt 9T spline
B SAE A 2 bolt 11T spline
C SAE B 2/4 bolt 13T spline
D SAE B-B 2/4 bolt 15T spline
E SAE C 2/4 bolt 14T spline
F SAE C-C 2/4 bolt 17T spline

26 Paint

0 No paint
A Blue (standard)

27 Customer identification

0 None

28 Design code

A A (initial release)

Eaton
14615 Lone Oak Road
Eden Prairie, MN 55344
USA
Telephone: 952 937-9800
Fax: 952 974-7130
www.eatonhydraulics.com

Eaton
46 New Lane, Havant
Hampshire PO9 2NB
England
Telephone: (44) 23 92 486 451
Fax: (44) 23 92 487 110



© 2002 Eaton Corporation
All Rights Reserved
Printed in USA
Form No. V-PP-TP-0001-E
July 2002