

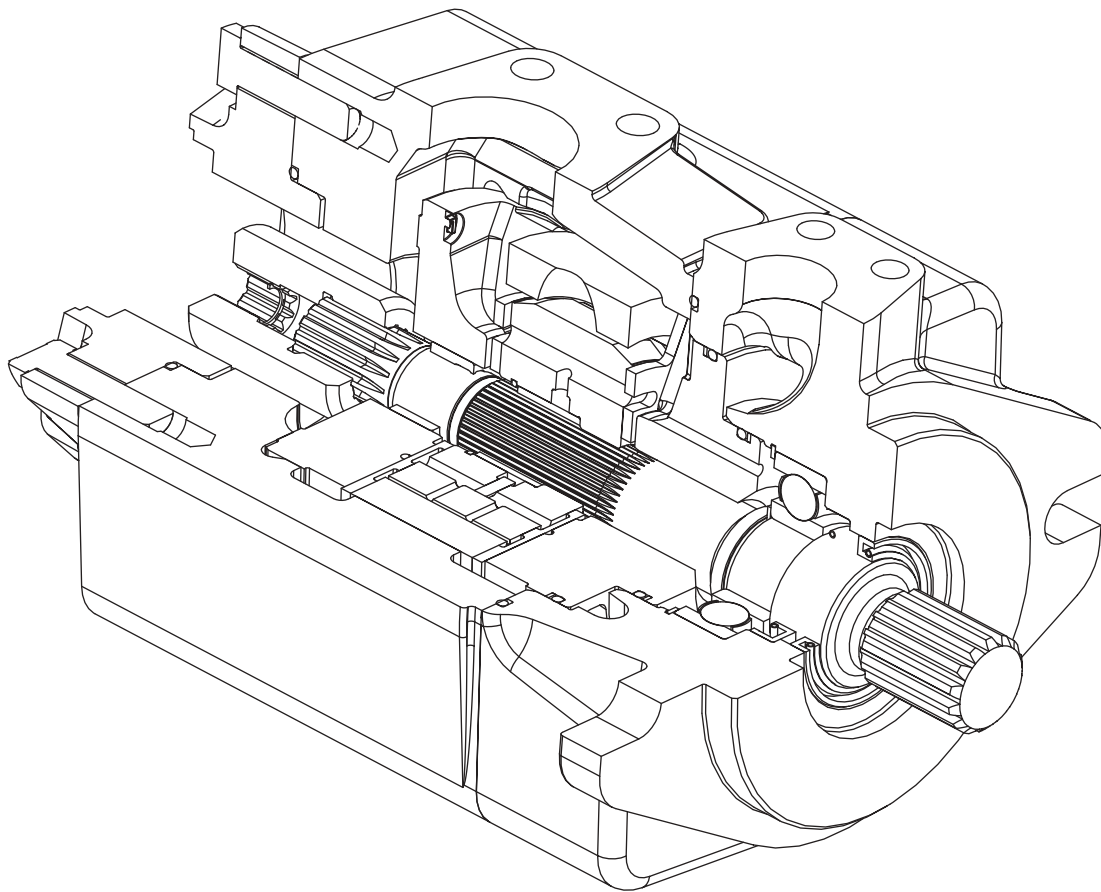
EAT•N

Vickers

**High Pressure, High Performance
Vane Pumps**

Parts Data

VMQ125T Series
- 32 Design



VICKERS[®]

Note: Lubricate all parts and seals with a thin coat of oil at assembly.

- Included in Cartridge Kit (see table 1)
- ▲ Included in single STD Seal Kit 02-334696 or Viton® Seal Kit 02-334697.
- △ Included in double STD Seal Kit 02-334698 or Viton® Seal Kit 02-334699.
- * See Table X1 and X2 for Kit Rotation Information

998895 'A' SAE Housing
998896 'B' ISO Housing

134249 Screw, 4 Req'd -
Torque dry = 153 +/- 16 Nm
(113 +/- 11 ft*lb);
Torque oiled = 115 +/- 12 Nm
(85 +/- 9 ft*lb)

▲△ • 579373 Hub O-ring Buna-N
579388 Hub O-ring Viton

▲△ • 998888 Hub Back Up Ring

▲△ • 998891 OD Back Up Ring

Cartridge Kit
(see table 1)

Thru Drive Coupling
(see table 2)

▲△ • 587288 OD O-Ring Buna-N
587289 OD O-ring Viton

△ 429281 Shaft Seal — Viton
(double shaft seal only)

▲△ Adapter/Housing O-Ring (see table 2)

Adapter (see table 2)

▲△ Mounting pad O-Ring (see table 2)

Key (see table 3)

38441 Bearing

119982 External Snap Ring

193144 Internal Spiralox

Outlet Body
(see table 4)

▲△ 394973 Shaft Seal Buna-N
429284 Shaft Seal Viton

▲△ 294660 O-ring Buna-N
335660 O-ring Viton

Shaft (see table 3)

TABLE X1

Cartridge Kit Rotation for Right Hand Rotation Pump

R= Right Hand Rotation		L=Left Hand Rotation	
PUMP ROTATION	SHAFT END KIT ROTATION	CENTER KIT ROTATION	COVER END KIT ROTATION
Single & Thru (R)	(R)	-	-

*Notes: - A right hand rotation pump has the shaft turning clockwise when viewed from the input shaft end
- When ordering a right hand rotation kit, the part number will not have a suffix

TABLE X2

Cartridge Kit Rotation for Left Hand Rotation Pump

R= Right Hand Rotation		L=Left Hand Rotation	
PUMP ROTATION	SHAFT END KIT ROTATION	CENTER KIT ROTATION	COVER END KIT ROTATION
Single & Thru (L)	(L)	-	-

*Notes: - A left hand rotation pump has the shaft turning counterclockwise when viewed from the input shaft end
- When ordering a left hand rotation kit, the part number will have a suffix of '-L'

TABLE 1

MODEL CODE	* • CARTRIDGE KIT (BUNA-N)	* • CARTRIDGE KIT (VITON®)
VMQ125*010	02-347013	02-347014
VMQ125*016	02-347011	02-347012
VMQ125*020	02-347009	02-347010
VMQ125*025	02-347007	02-347008
VMQ125*032	02-347005	02-347006
VMQ125*040	02-347003	02-347004
VMQ125*045	02-347001	02-347002
VMQ125*050	02-346999	02-347000
VMQ125*063	02-346997	02-346998
VMQ125*071	02-346995	02-346996
VMQ125*080	02-346993	02-346994
VMQ125*090	02-347102	02-347103

Viton® is a registered trademark of E.I. Dupont Co.

TABLE 3

MODEL CODE	SHAFT	KEY
VMQ125T-*-*-*-01	937084	928540
VMQ125T-*-*-*-02	937085	—
VMQ125T-*-*-*-03	937086	928545
VMQ125T-*-*-*-04	937087	928563
VMQ125T-*-*-*-05	937088	928541
VMQ125T-*-*-*-06	937089	—
VMQ125T-*-*-*-07	937090	928546
VMQ125T-*-*-*-08	937091	928564

TABLE 4

OUTLET BODY

Flange Mounting Style	Single Shaft Seal		Double Shaft Seal	
	Inch Port Threads	Metric Port Threads	Inch Port Threads	Metric Port Threads
SAE B	998600	998602	998601	998603
ISO 100	—	998604	—	998605

TABLE 2

MODEL CODE THRU DRIVE COMPONENTS	OUTLET SPLINE	MOUNTING PAD SIZE	ADAPTER	ADAPTER/HOUSING O-RING	MOUNTING PAD O-RING		COUPLING ASSEMBLY
					BUNA N	VITON	
VMQ125T-*-*-*-16	SAE A	SAE A	937081	200159	262418	353409	02-315064
VMQ125T-*-*-*-22	SAE B	SAE B	998588	200159	262418	375422	02-315063
VMQ125T-*-*-*-25	SAE B-B	SAE B	998588	200159	262418	375422	02-315061

Model Code

VMQ1 ** * *** * * ** ** * * * * * * * * OO * O 32

1 2 3 4
5 6
7
8 9 10
11
12
13 14
15 16
17
18
19
20
21
22
23 24
25
26
27 28

1 2 3 4 Series designation
 VMQ1 – Vane pump single series

5 6 Frame size
 25 – 10-90 cm³/r
 (0.62-5.49 in³/r)

7 Pump type
 T – Thru-drive
 (Options at model codes
12 and 15 16 must be
 specified for thru-drive
 units)

8 9 10 Displacement
 Frame size 25
 010 – 10 cm³/r (0.62 in³/r)
 016 – 16 cm³/r (0.98 in³/r)
 020 – 20 cm³/r (1.23 in³/r)
 025 – 25 cm³/r (1.58 in³/r)
 032 – 32 cm³/r (1.96 in³/r)
 040 – 40 cm³/r (2.44 in³/r)
 045 – 45 cm³/r (2.75 in³/r)
 050 – 50 cm³/r (3.05 in³/r)
 063 – 63 cm³/r (3.84 in³/r)
 071 – 71 cm³/r (4.33 in³/r)
 080 – 80 cm³/r (4.88 in³/r)
 090 – 90 cm³/r (5.49 in³/r)

11 Front flange mounting style
 A – SAE B 2-bolt
 101,60 (4.000) x 9,4
 (0.37) pilot
 14,4 (0.57) slots on
 146,0 (5.75) bolt circle

C – ISO 3019/2 100A2HW
 2-bolt
 100,00 (3.937) x 9,2
 (0.36) pilot
 14,1 (0.56) slots on
 140,0 (5.51) bolt circle

12 Rear mounting flange and orientation
 Viewed from adapter end
 of pump

SAE A
 A – In-line with mounting
 flange
 B – 90° to mounting flange
 SAE B
 E – In-line with mounting
 flange
 F – 90° to mounting flange

13 14 Input shaft type*
 01 – SAE J744 keyed
 Frame size 25:
 25,40 (1.000)
 02 – SAE J744 splined
 Frame size 25: B-B
 03 – ISO 3019/2 keyed
 Frame size 25:
 25,00 (0.984)
 05 – SAE J744 keyed
 Frame size 25:
 31,75 (1.250)
 06 – SAE J744 splined
 Frame size 25: C
 07 – ISO 3019/2 keyed
 Frame size 25: 32,00 (1.260)
 09 – SAE J744 splined
 Frame size 25: B

15 16 Output shaft coupling
 Thru-drive units, model code
7 = T
 16 – SAE J744 16-4 A-spline
 shaft
 22 – SAE J744 22-4 B-spline
 shaft
 25 – SAE J744 25-4 B-B-spline
 shaft

17 Inlet port type
 A – SAE J518 4-bolt split
 flange
 B – ISO 6162 4-bolt split
 flange

18 Outlet port type
 A – SAE J518 4-bolt flange
 B – ISO 6162 4-bolt flange

19 Outlet port position
 Viewed from adapter end
 of pump
 A – Opposite inlet port
 B – 90° CCW to inlet port
 C – In-line with inlet port
 D – 90° CW to inlet port

20 Shaft seal
 A – Single, primary
 B – Double, secondary
 (spring side out)
 Recommended for wet
 mount applications

21 Seal type
 N – Buna N
 V – Viton
 W – Buna N with Viton shaft
 seal(s)

22 Shaft rotation
 Viewed from shaft end
 of pump
 L – Left hand (CCW)
 R – Right hand (CW)

23 24 Special features
 00 – None

25 Paint
 0 – None
 A – Blue

26 Customer identification
 0 – None

27 28 Design code
 32 – 32 design
 Installation dimensions
 remain unchanged for
 design numbers 30 to 39
 inclusive.

* Verify shaft torque ratings meet or exceed input torque requirements

Eaton
14615 Lone Oak Road
Eden Prairie, MN 55344
USA
Tel: 952 937-9800
Fax: 952 974-7722
www.hydraulics.eaton.com

Eaton
20 Rosamond Road
Footscray
Victoria 3011
Australia
Tel: (61) 3 9319 8222
Fax: (61) 3 9318 5714

Eaton
Dr.-Reckeweg-Str. 1
D-76532 Baden-Baden
Germany
Tel: (49) 7221 682-0
Fax: (49) 7221 682-788

VICKERS[®]

EAT•N

Vickers

© 2003 Eaton Corporation
All rights reserved
Printed in USA
Document No. V-PUVN-TP005-E
June 2003 1M