

# Piston Pumps

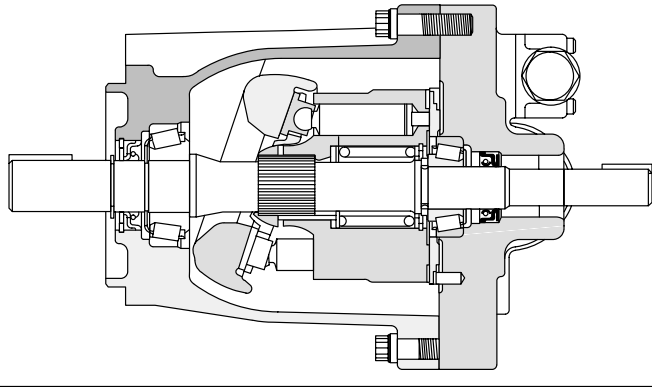
---



## Pressure Compensated Variable Displacement Piston Pumps

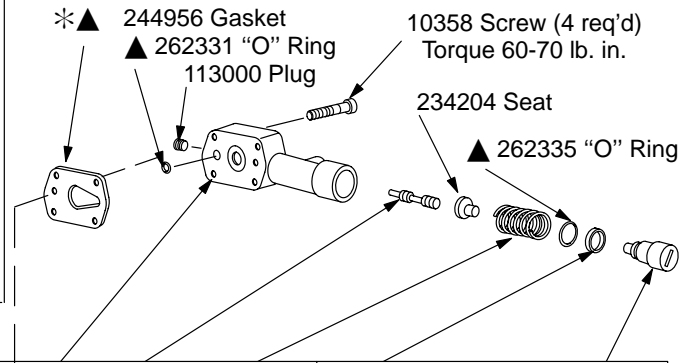
PVE19\*\*-Q1210-\*-30-C\*\*\*-\*\*

PVE19\*\*-Q1830-\*-30-C\*\*\*-\*\*



## C, CG & CA Compensator

(Shown for R.H. shaft rotation.  
Rotate 180° for L.H. shaft rotation.)



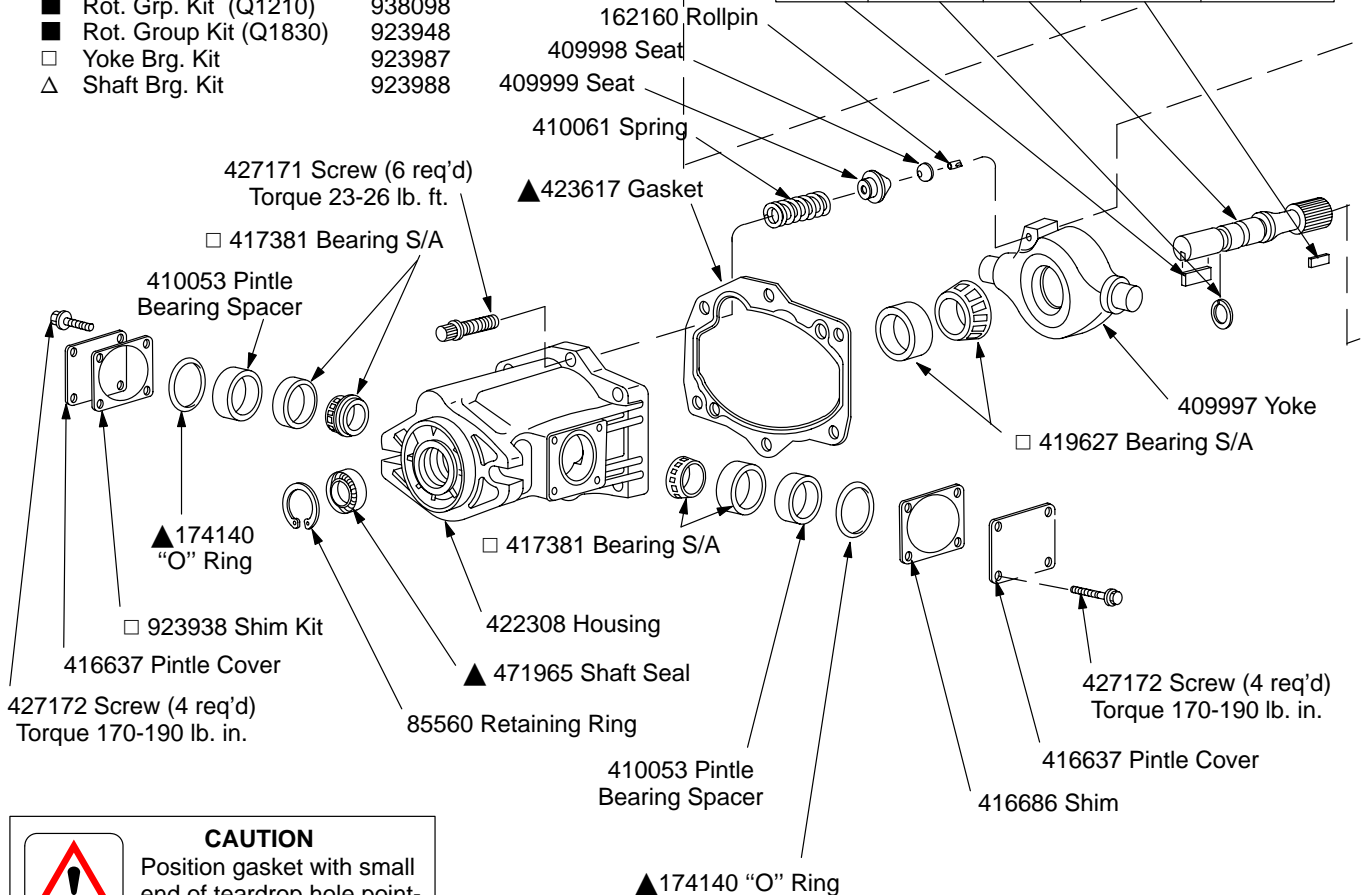
**NOTE**  
See drawing I-3255-S for "CC"& "CD" adjustable maximum stop control and electric dual range compensator.

Model	Body	Spool	Spring	Backup Ring	Comp. S/A Kit	Plug
PVE19**-Q1830-*-30-C-10	241568	241717	239371	—	360430	941352
PVE19**-Q1210-*-30-CG-10	412890	296234	265693	▲287144	412940	941353
PVE19**-Q1830-*-30-CG-10			239371			942480
PVE19**-Q1210-*-30-CA-10	241568	241717	265693	—	360430	941355

Included in

- ▲ PVE19\*W – Seal Kit 920227
- ▲ PVE19\*X – Seal Kit 920228
- Br. Spacer Kit 942401
- Pintle Shim Kit 923938
- Rot. Grp. Kit (Q1210) 938098
- Rot. Group Kit (Q1830) 923948
- Yoke Br. Kit 923987
- △ Shaft Br. Kit 923988

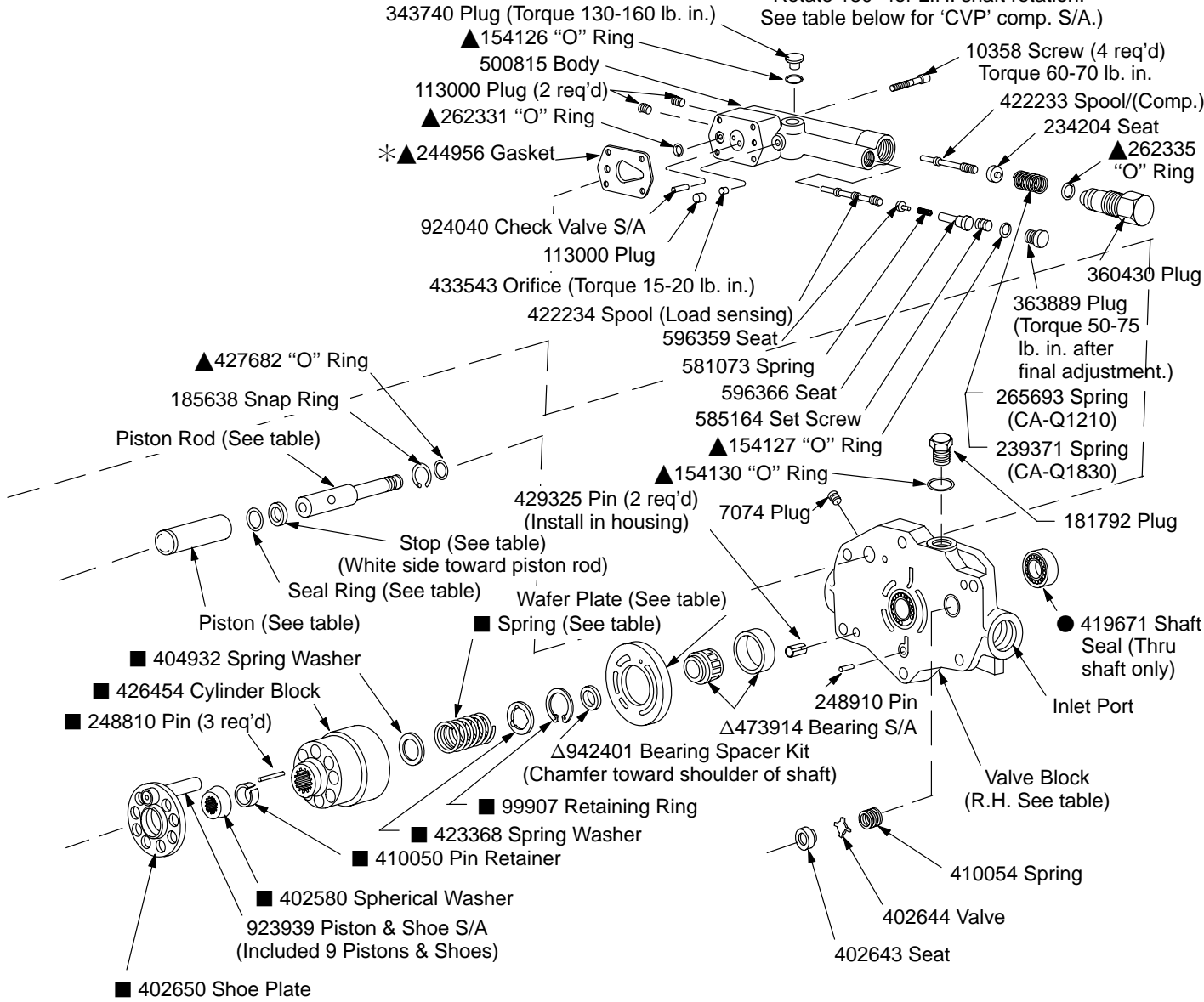
Key	Retaining Ring	Shaft	Thru-shaft Key	Model
58303	112531	428883	—	PVE19** -1
—	—	585114	142843	PVE19*X-1
—	—	423415	—	PVE19** -2
—	—	424544	—	PVE19** -9



**CAUTION**  
Position gasket with small end of teardrop hole pointing in direction of compensator adjusting plug.

# CVP Compensator

(Shown for R.H. shaft rotation.  
Rotate 180° for L.H. shaft rotation.  
See table below for 'CVP' comp. S/A.)

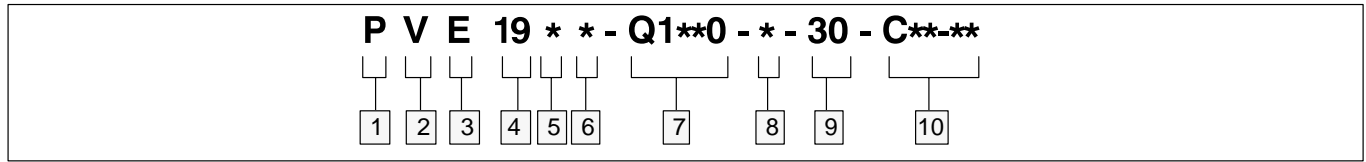


Model	Rotation (Viewed from Shaft End)	Valve Block	Wafer Plate	CVP Comp. S/A	
PVE19RW-Q1210	Right Hand (Clockwise)	429729	585122	924059	
PVE19RW-Q1830			629539	924060	
PVE19RX-Q1210		585127	585127	585122	924059
PVE19RX-Q1830	629539			924060	
PVE19LW-Q1210	Left Hand (C'Clockwise)	586133	583148	924059	
PVE19LW-Q1830			631476	924060	
PVE19LX-Q1210		585129	585129	583148	924059
PVE19LX-Q1830				631476	924060

Model	■ Spring	Color
Q1210	632570	Yellow
Q1830	402579	Red

Model	Piston	Seal Ring	Stop	Piston Rod	Comp. Piston & Rod S/A Kit
PVE19**-Q1210-*-30-*(*)-1*	404958	588523	588936	585124	941356
PVE19**-Q1830-*-30-*(*)-1*		—	—	404957	934085

# Model Code



**1 Pump**

**2 Variable Displacement**

**3 Inline Piston Unit – “E” Series**

**4 Flow Rating @ 1800 rpm**

19 – 19 USgpm

**5 Shaft Rotation**

(Viewed from shaft end)

R - Right Hand (CW)  
L - Left Hand (CCW)

**6 Ports & Thru-Shaft**

W - Side ports (Std)  
X - Side ports with thru-shaft

**7 Sound Reduced Ind. Model**

**Q1210** - Max. speed 1200 rpm  
Max. press. 1000 psi  
**Q1830** - Max. speed 1800 rpm  
Max. press. 3000 psi

**8 Input Shaft**

1 - SAE B-B str. keyed  
2 - SAE B-B 15 tooth spline  
9 - SAE B 13 tooth spline

**9 Pump Design**

**10 Control Options & Design**

**C-10** - Press. comp. (300-3000 psi) Q1830 only  
**CA-10**- Press. comp. (300-1000 psi)  
**CG-10**- Remote adj. comp.  
**CC11**- Adj. max. stop (W models only)  
**CD-20**- Elect. dual range comp. (W models only)  
**CVP-12**- Load sensing with press. limiter  
**CCD-20**-Elect. dual range comp. w/adj. max. stop (W models only)  
**CAC-11**-Adj. max. stop with 'CA' comp. (W models only)

For satisfactory service life of these components, use full flow filtration to provide fluid which meets ISO cleanliness code 16/13 or cleaner. Selections from pressure, return, and in-line filter series are recommended.