

# Piston Pumps & Motors

---



## Variable Inline Piston Units

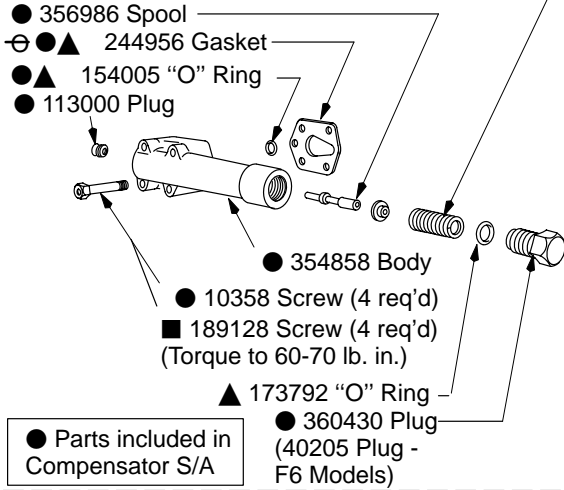
PVB10-(F)\*\*(Y)-30/31-\*(\*)-(L)-1\*

PVB15-(F)\*\*(Y)-30/31-\*(\*)-(L)-1\*

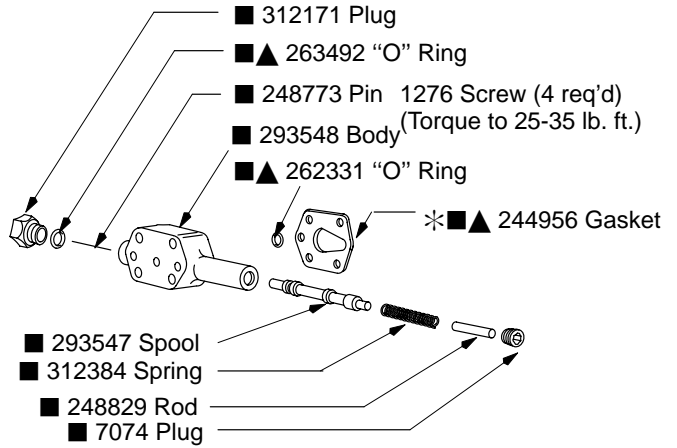
MPVB10-(F)UD(Y)-30/31-\* -10

**Compensator S/A Parts**

Pressure Range (psi)	Compensator S/A	Spring
(C)350-3000 (10) 350-2000 (15)	942158	239371
(CM) 350-1500	942159	● 265693



■ Included in start-up valve (E) S/A 942157



**NOTE**

Compensator and start-up valve shown for L.H. shaft rotation. For R.H. rotation units, rotate both valves 180°.



**CAUTION**

Do not use back-up washer with new spherical washer.



**CAUTION**

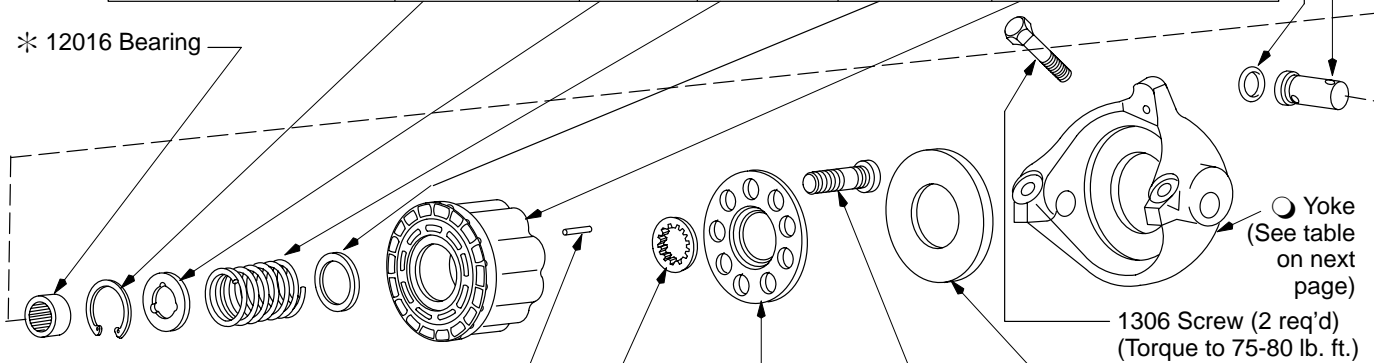
Position compensator gasket with small end of teardrop hole pointing in direction of compensator adjusting plug.

□ Control Pintle (See Table)

▲ 166360 "O" Ring

MODEL	RETAINING RING	WASHER	SPRING	THRUST WASHER	CYLINDER BLOCK	ROTATING GROUP KIT
— THESE PARTS ARE INCLUDED IN ROTATING GROUP KIT —						
PVB10-**(Y)-3*-**-1*	93509	245223	247294	241954	321703	938276
MVB10-**(Y)-3*-**-1*					260860	938273
PVB15-**(Y)-3*-**-1*			403858			938277
F6-PVB15-**(Y)-3*-**-1*						

\* 12016 Bearing

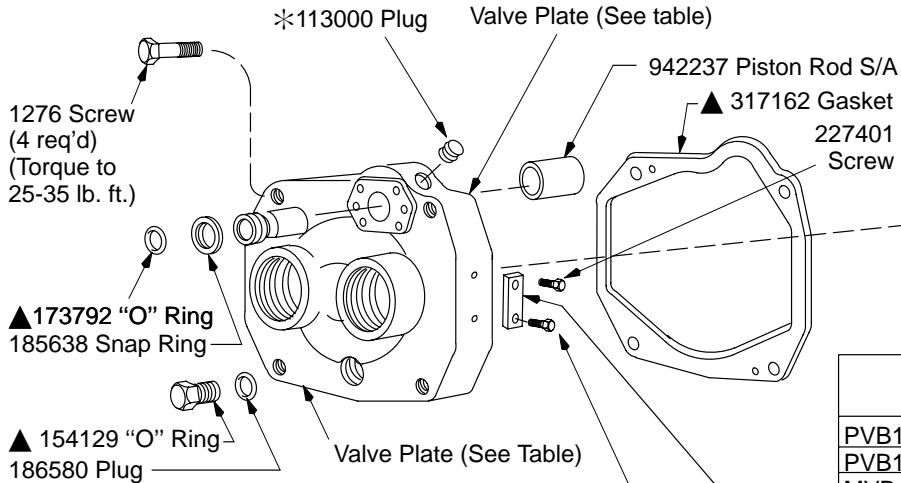


MODEL	PIN (3 REQ'D)	SPHERICAL WASHER	SHOE PLATE	PISTON S/A KIT	SWASH PLATE	ROTATING GROUP KIT
— THESE PARTS ARE INCLUDED IN ROTATING GROUP KIT —						
PVB10-**(Y)-3*-**-1*	248812	423324	275961	942207	239077	938276
MVB10-**(Y)-3*-**-1*				941887		938273
PVB15-**(Y)-3*-**-1*					938277	
F6-PVB15-**(Y)-3*-**-1*						

**NOTE**

Type 'C' & 'CM' Compensator Control Parts shown. See back page for manual controls. Refer to Parts Drawing I-3243-S for 'CVP' Pressure Limiting & Load Sensing Compensator Control.

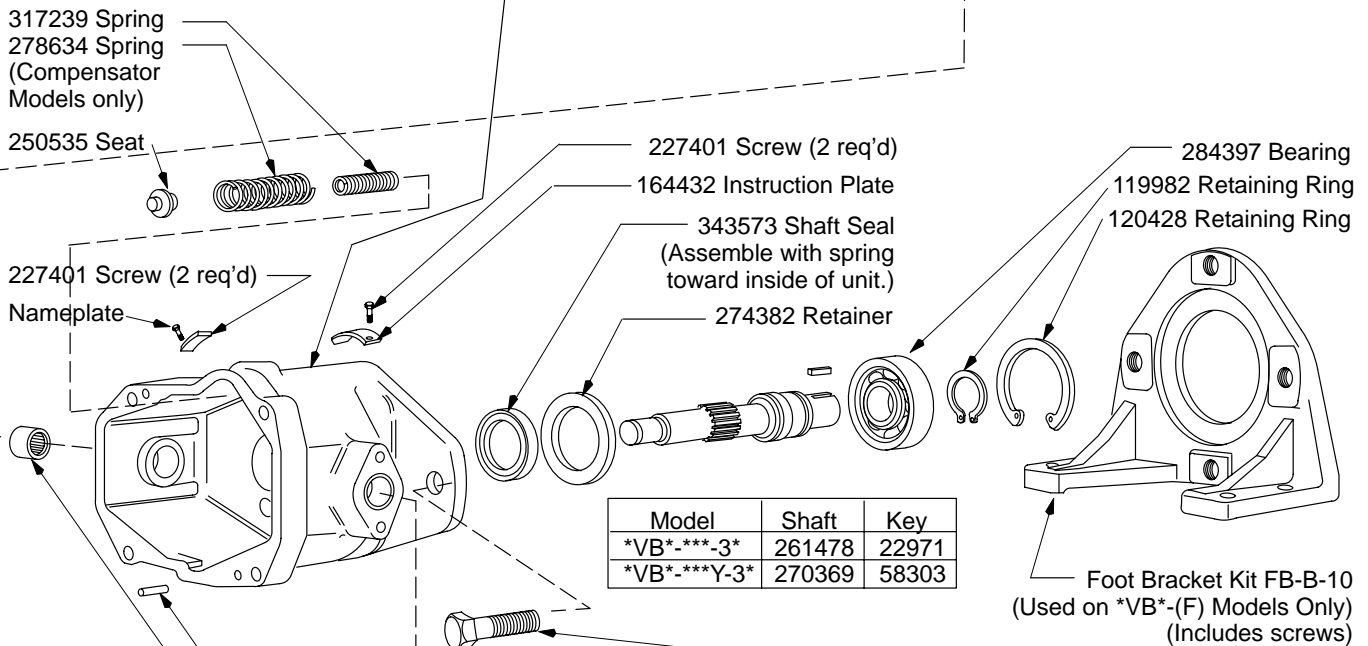
Models	□ Pintles	
	Control	Other
Handwheel	269657	
Lever	269658	265425
Compensator	265425	



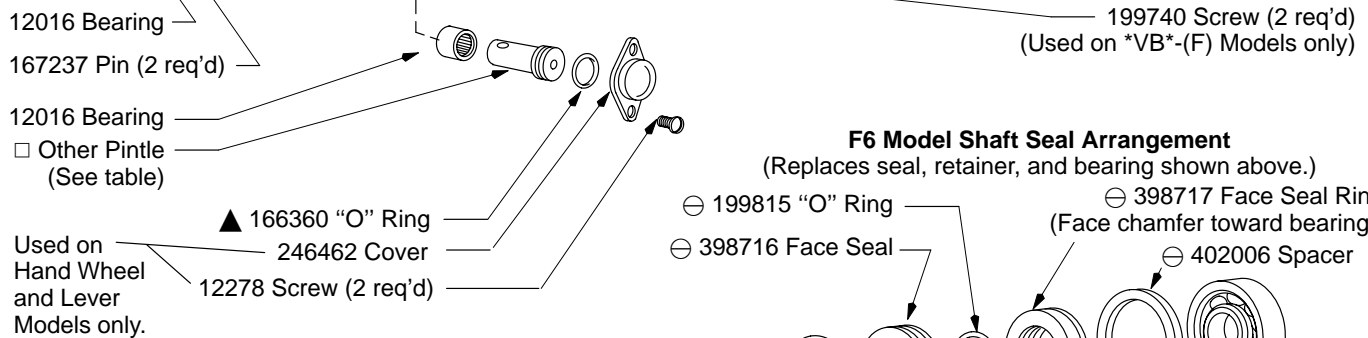
\* Included in Valve Plate S/A  
 Rotation plate shown for R.H. (CW) shaft rotation. Locate on opposite side of valve for L.H. (CCW) rotation.

MODEL	YOKE	HOUSING	SCREW	ROTATION PLATE
PVB1*-*D(Y)-3*-H/M-10	325689	308327	227401	195060
PVB1*-*S(Y)-3*-C(*)/CM-11	342743	357652	227407	404751
MVB10-*D(Y)-3*-H/M-10	325689	308327		
F6-PVB15-*S(Y)-3*-C(*)-11	342743	398719	227407	404751

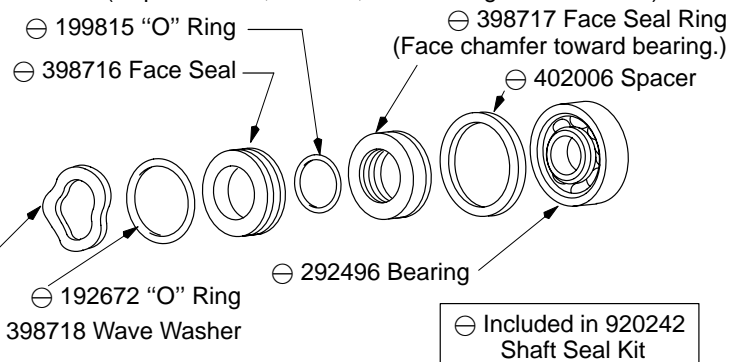
MODEL	* INCLUDED IN VALVE PLATE S/A
PVB10-RD(Y)-3*-H/M-10	942160
PVB10-LD(Y)-3*-H/M-10	942161
MVB10-UD(Y)-3*-H/M-10	942162
PVB15-RD(Y)-3*-H/M-10	942163
PVB15-LD(Y)-3*-H/M-10	942164
PVB10-RS(Y)-3*-C(*)-11	942165
PVB10-LS(Y)-3*-C(*)-11	942166
F6-PVB15-RS(Y)-3*-C(*)-11	942167
F6-PVB15-LS(Y)-3*-C(*)-11	942168



Model	Shaft	Key
*VB*-*Y*-3*	261478	22971
*VB*-*Y*-3*	270369	58303



**F6 Model Shaft Seal Arrangement**  
 (Replaces seal, retainer, and bearing shown above.)

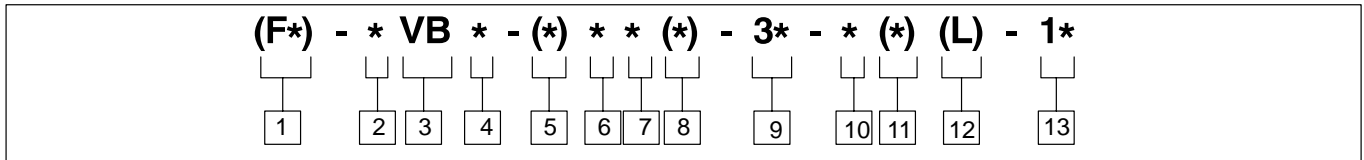


F3 equivalent 919686 Seal Kit

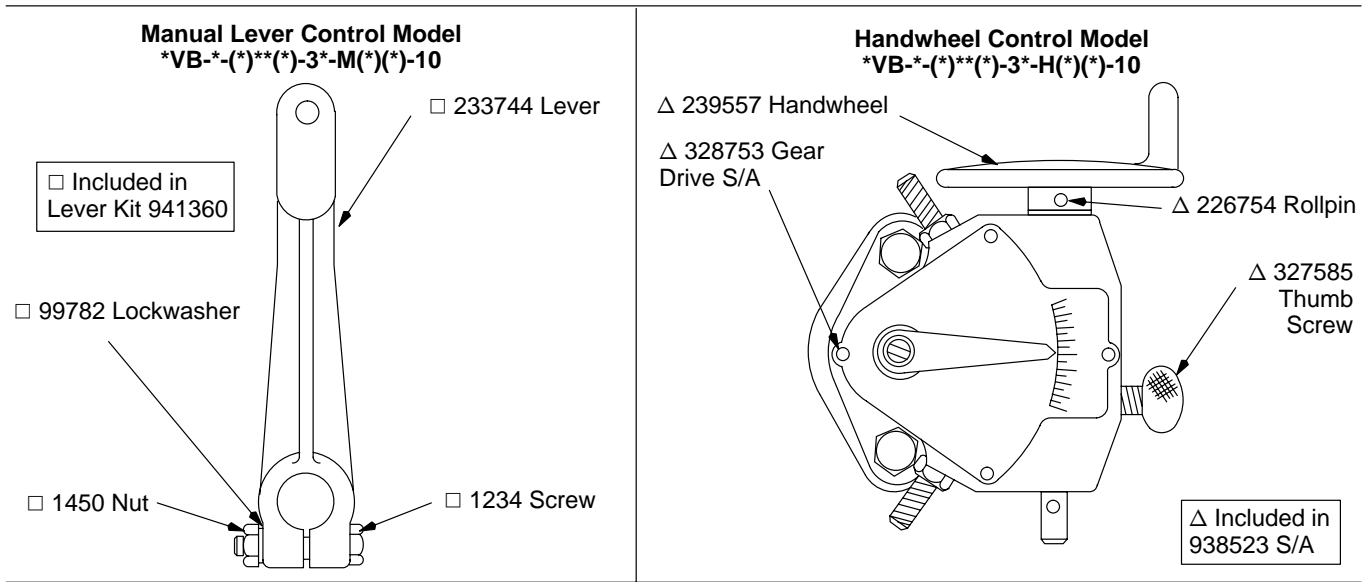
▲ Included in 919682 Seal Kit

⊖ Included in 920242 Shaft Seal Kit

# Model Code



- |   |  |   |
|---|--|---|
| <p><b>1 Seals</b><br/> <b>F3</b> - Multi-fluid capability (Viton seals)<br/> <b>F6</b> - Soluble oil fluids</p> <p><b>2 Model</b><br/> <b>M</b> - Motor<br/> <b>P</b> - Pump</p> <p><b>3 Model Type</b><br/>         Variable displacement, inline piston unit</p> <p><b>4 Flow rating @ 1800 rpm</b><br/> <b>10</b> - 10 USgpm<br/> <b>15</b> - 15 USgpm</p> <p><b>5 Mounting</b><br/> <b>F</b> - Foot bracket (Omit for flange mount)</p> | <p><b>6 Rotation</b><br/>         Viewing from shaft end<br/> <b>R</b> - Right hand (CW)<br/> <b>L</b> - Left hand (CCW)<br/> <b>U</b> - Either direction (Motors only)</p> <p><b>7 Swash Plate Movement</b><br/> <b>D</b> - Both sides of center<br/> <b>S</b> - One side of center</p> <p><b>8 Shaft</b><br/> <b>Y</b> - Long shaft (Standard) (Omit for short shaft)</p> <p><b>9 Pump Design Number</b></p> | <p><b>10 Control Type</b><br/> <b>C</b> - 250-3000 psi (20 USgpm)<br/>         250-2000 psi (29 USgpm)<br/> <b>CM</b> - Pressure compensated (Intermediate range) (250-1500) psi 2* USgpm units<br/> <b>CVP</b> - Pressure limiter/load sensing<br/> <b>H</b> - Handwheel<br/> <b>M</b> - Lever</p> <p><b>11 Compensator Variations</b><br/>         (Refer to I-3260-S for more detailed information.)<br/> <b>C</b> - Adjustable maximum stop<br/> <b>D</b> - Dual range (Electric control - 115 volts - 60 cycle)<br/> <b>DH</b> - Dual range (Hyd. control)<br/> <b>E</b> - Start-up valve</p> <p><b>12 Control Options</b><br/> <b>L</b> - Left hand location Viewing shaft end (Omit for right hand location.)</p> <p><b>13 Control Design Number</b></p> |
|---|--|---|



For satisfactory service life of these components, use full flow filtration to provide fluid which meets ISO cleanliness code 16/13 or cleaner. Selections from pressure, return, and in-line filter series are recommended.

Printed in U.S.A.