

Service Data

Vickers®

Check Valves



Flange Mounted Unloading Valves

UPF2S/V-06/08/10/12-*-*-20

UPF2S-C-06/08/10/12-*-*-20 with Integral Check

UPF2S-(C)-06/08

CODE	SPRING	MAX. PRESSURE bar (psi)
A	849639	70 (1000)
B	762928	125 (1800)
F	762929	207 (3000)
G	762930	275 (4000)

298137 Screw
(4 Req'd)

Relief Valve Block Plug & "O"Ring (Internal Drain Only)		
	SAE	BSP
Plug	343740	473918
"O"Ring	▲ 263494	● 781938

Relief Valve Block
02-155252 SAE
02-155882 BSP
398071 Plug
▲ 263492 "O"Ring

☆ This part used at final test to obtain correct pressure range

290057 Piston
762921 Washer
Spring (see table)
☆ 762920 Spacer
764176 Adj. screw

762607 Protection cap

▲ 262350 "O"Ring
▲ 197588 Back-up ring
▲ 262355 "O"Ring
579692 Adaptor
764177 Nut

W – Locknut (Shown)
M – Micrometer Adj. Kit 637462
K – Key lock w/micrometer kit 637463
(Torque S/A 65–75 N.m (48–55 lb.ft.))

TORQUES

Part	N.m	lb.ft.
81976	97–104	71.5–76.7
298137	65–80	48.0–59.0
315932	29–32	21.3–23.6
329463	54–59	39.8–43.5
343740	15–16	11.0–11.8
398071	9.8–10.2	7.2–7.5
473918	15–16	11.0–11.8
473919	29–32	21.3–23.6
977935		
977937	2–4	1.5–3.0
977938		

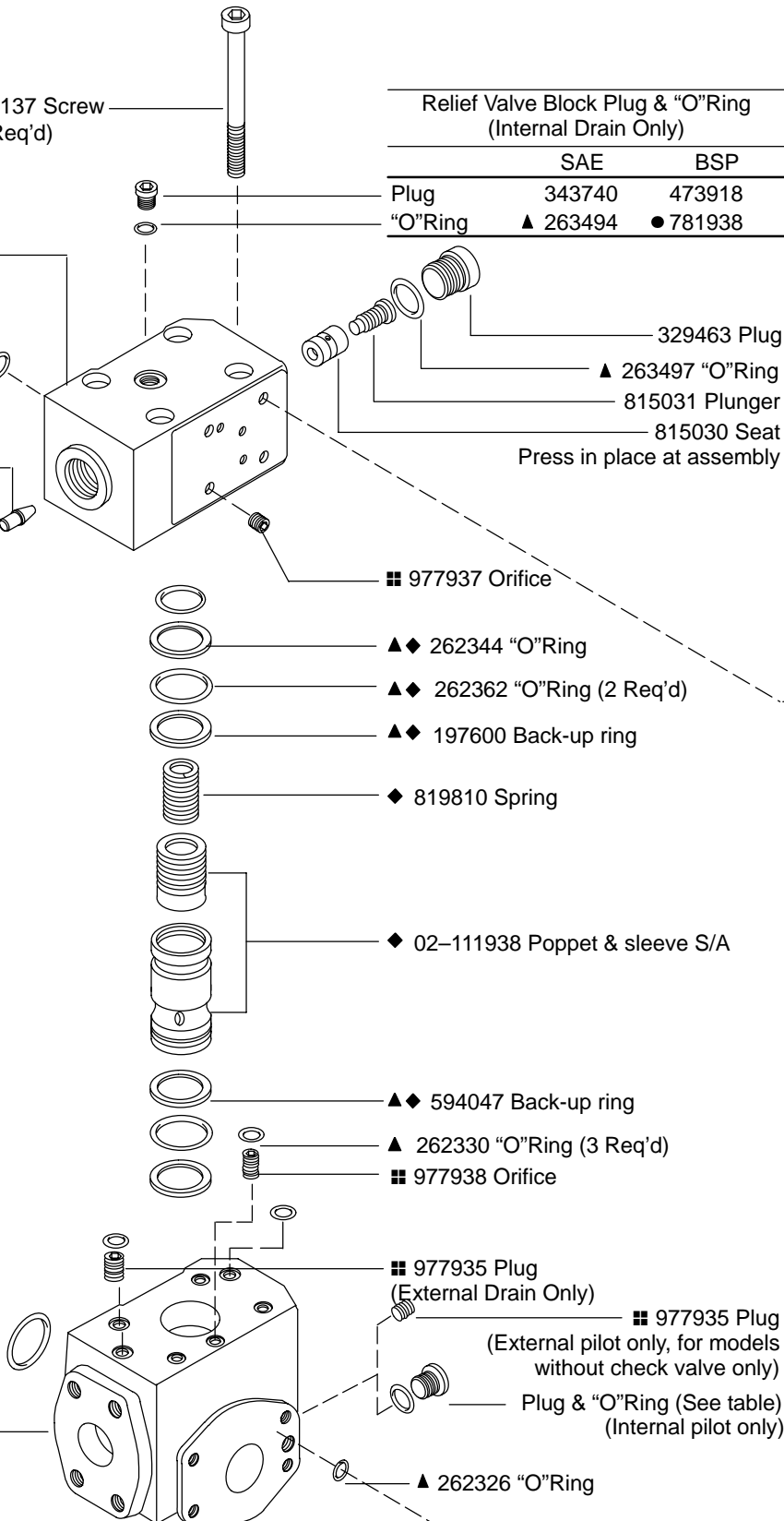
▲ 262393 "O"Ring (06)
▲ 262398 "O"Ring (08)

CARTRIDGE BLOCK

SIZE	SAE	BSP
06	02-155246	02-155266
08	02-155248	02-155268

- ▲ Included In Seal Kit 02-301170 (SAE)
- Included In Seal Kit 02-301171 (BSP)
- ◆ Included In Cartridge S/A
- Included In Press. Adj. S/A
- Bond in place with Loctite 222 or equivalent

Parts prefixed with symbols available only in kits.



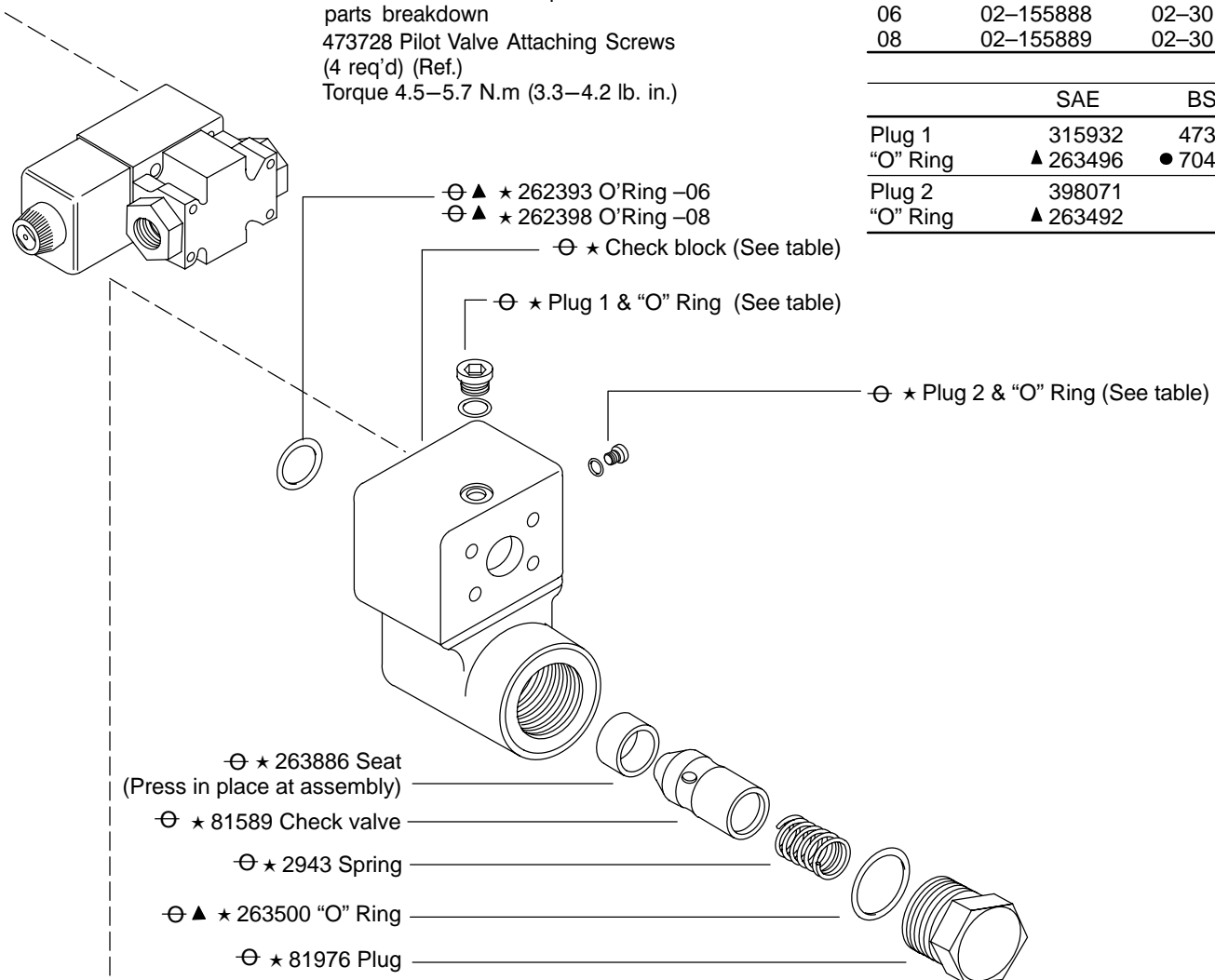
	SAE	BSP
PLUG	315932	473919
"O"RING	▲ 263496	● 704766

DG4V3(S)-22A-*-60**

Refer to I-3886-S for pilot valve parts breakdown
 473728 Pilot Valve Attaching Screws (4 req'd) (Ref.)
 Torque 4.5-5.7 N.m (3.3-4.2 lb. in.)

SIZE	CHECK BLOCK	
	SAE	BSP
06	02-155888	02-301071
08	02-155889	02-301072

	SAE	BSP
Plug 1	315932	473919
"O" Ring	▲ 263496	● 704766
Plug 2	398071	
"O" Ring	▲ 263492	



★ These parts omitted for models without "C" check valves.

⊖ CHECK BLOCK S/A (Includes all parts shown plus shipping parts)		
SIZE	SAE	BSP
06	02-304025	02-304026
08	02-304027	02-304028

UPF2S-(C)-10/12

CODE	SPRING	MAX. PRESSURE bar (psi)
A	849639	70 (1000)
B	762928	125 (1800)
F	762929	207 (3000)
G	762930	275 (4000)

10955 Screw
(4 Req'd)

Relief Valve Block Plug & "O"Ring (Internal Drain Only)		
	SAE	BSP
PLUG	343740	473918
"O"RING	▲ 263494	781938

Relief Valve Block
02-155259 SAE
02-155884 BSP

398071 Plug
▲ 263492 "O"Ring

☆ This part used at final test to obtain correct pressure range

290057 Piston
762921 Washer
Spring (See table)
☆ 762920 Spacer
764176 Adj. screw

762607 Protection cap

▲ 262350 "O"Ring
197588 Back-up ring
▲ 262355 "O"Ring
579692 Adaptor
764177 Nut

W – Locknut (Shown)
M – Micrometer Adj. Kit 637462
K – Key lock w/micrometer kit 637463
(Torque S/A 65–75 N.m (48–55 lb.ft.))

Part	TORQUES	
	N.m	lb.ft.
10955	110–115	81.1–84.8
315932	29–32	21.3–23.6
329463	54–59	39.8–43.5
343740	15–16	11.0–11.8
398071	9.8–10.2	7.2–7.5
473918	15–16	11.0–11.8
473919	29–32	21.3–23.6
873753		
977935	2–4	1.5–3.0
986032		

■ 977935 Plug
(External Drain Only)
▲ 262399 "O"Ring (10)
▲ 262402 "O"Ring (12)

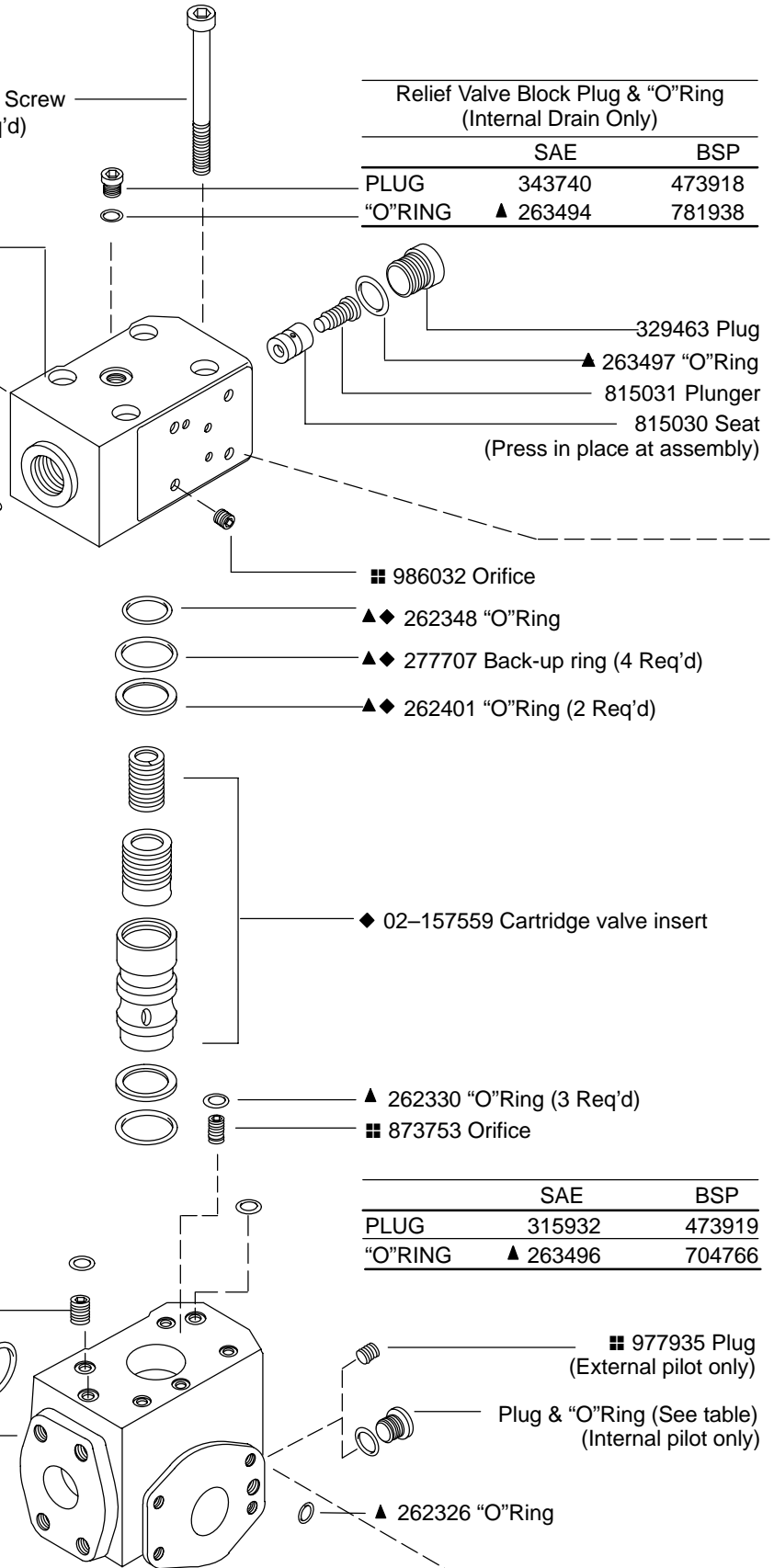
SIZE	CARTRIDGE BLOCK	
	SAE	BSP
10	02-155255	02-155270
12	02-155261	02-155851
12V	02-155264	02-155853

- ▲ Included In Seal Kit 02-301172 (SAE)
- Included In Seal Kit 02-301173 (BSP)
- ◆ Included In Cartridge S/A
- Included In Press. Adj. S/A

■ Bond in place with Loctite 222 or equivalent

Parts prefixed with symbols available only in kits.

© Vickers, Incorporated, 1993
All Rights Reserved



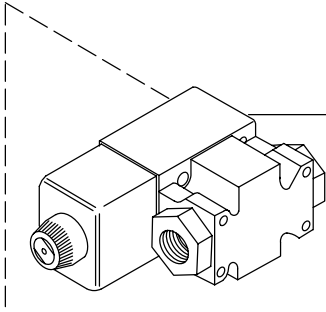
	SAE	BSP
PLUG	315932	473919
"O"RING	▲ 263496	704766

■ 977935 Plug
(External pilot only)

Plug & "O"Ring (See table)
(Internal pilot only)

▲ 262326 "O"Ring

★ These parts omitted for models without "C" check valves.



DG4V3(S)-22A-*-60**

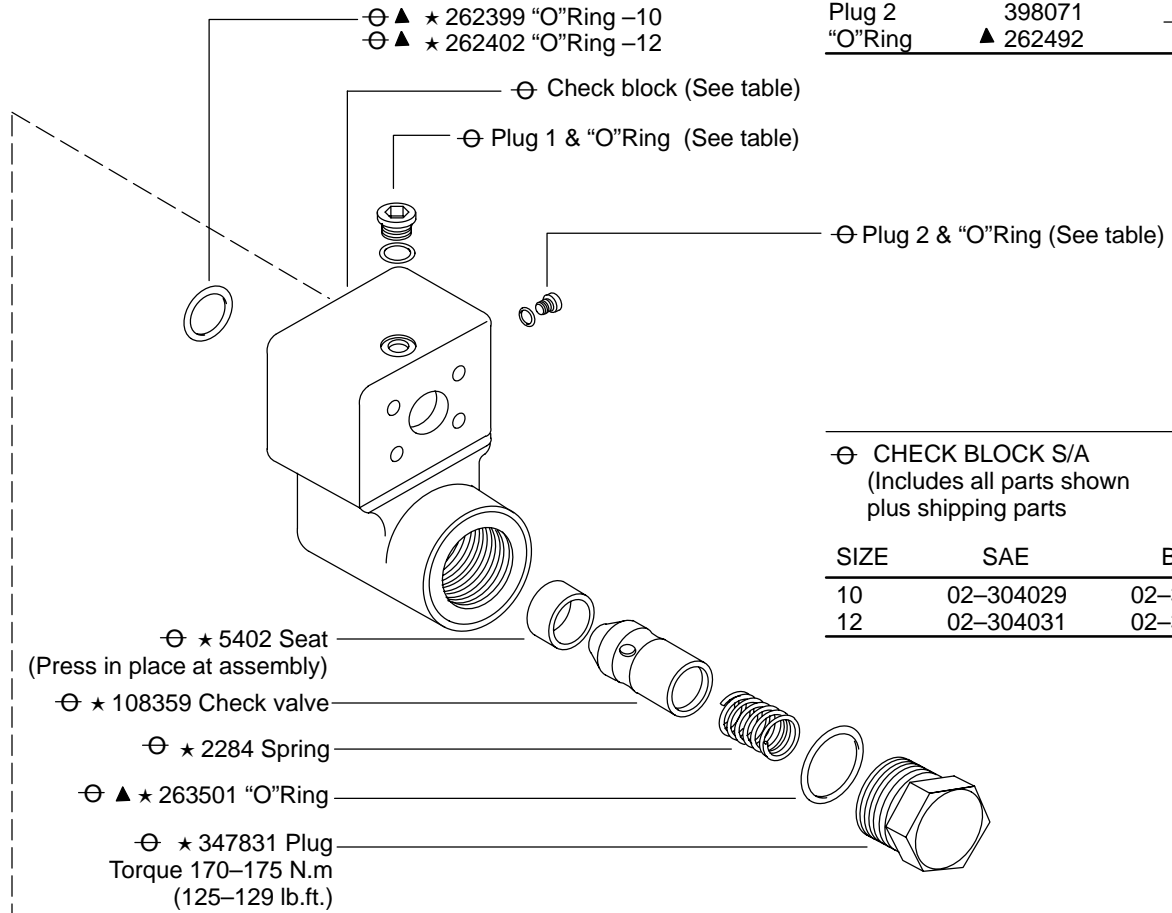
Refer to I-3886-S for pilot valve parts breakdown

473728 Pilot Valve Attaching Screws (4 req'd) (Ref.)

Torque 4.5–5.7 N.m (3.3–4.2 lb. ft.)

SIZE	CHECK BLOCK	
	SAE	BSP
10	02-155890	02-301073
12	02-155891	02-301074

	SAE	BSP
Plug 1	315932	473919
"O"Ring	▲ 263496	● 704766
Plug 2	398071	—
"O"Ring	▲ 262492	—



⊖ CHECK BLOCK S/A
(Includes all parts shown plus shipping parts)

SIZE	SAE	BSP
10	02-304029	02-304030
12	02-304031	02-304032

MODEL CODE BREAKDOWN

U P F 2 * - (C) - 06 - * - * - (B) - (P) - (1) - 3(S) - (*) - (V) M - (S*) - * (L) - * * - 20**

1 2 3 4 5 6 7 8 9 10 11 12 13 14 15 16 17 18 19 20 21

1 Valve Function

U - Unloading valve

2 Mounting Type

PF - Pump flange mounting

3 Unit type

2 - Single pressure with vent

4 Flange Type

S - SAE J518C 4-bolt flange standard series code 61 (All sizes)

V - SAE J518C 4-bolt high pressure code 62 (12 size only)

5 Integral Check Valve

(5 psi cracking pressure only)

Blank - Without integral check

C - With integral check. Not available with UPF2V-12.

6 Valve Size

06 - 3/4 inch

08 - 1 inch

10 - 1 1/4 inch

12 - 1 1/2 inch

7 Maximum Pressure Adjustment

A - 69 bar (1000 psi)

B - 124 bar (1800 psi)

F - 245 bar (3550 psi)

G - 275 bar (4000 psi)
350 bar (5000 psi) - (UPF2V-12 models only)

8 Control Type

W - Screw adjust with locknut

K - Micrometer adjust with keylock

M - Micrometer adjust w/o keylock

9 Thread Type (remote control/vent connection)

Blank - SAE-6 O-ring boss port (.5625-18 UNF-2B thd.)

B - BSP-G 1/4 (1/4" BSPF)

10 Remote Pilot

Blank - Internal pilot

P - External pilot (For models with check valve only)

11 Remote Drain

Blank - Internal drain

1 - External drain

12 Vent Valve

3 - Standard performance

3S - High performance

Uses 22A type spool/spring arrangement. Other features are optional. Refer to I-3886-S for parts breakdown.

13 Manual Override Options

14 Solenoid Energization Identification

15 Electrical Options Flag

16 Spool Position Monitoring Switch

17 Solenoid Type/Electrical Connections

18 Indicator Lights

19 Coil Identification

20 Tank Rating Pressure

2 - 10 bar (145 psi) for spool position indicator models.

5 - 100 bar (1450 psi) for standard performance models, DG4V-3(S), with AC or DC solenoids.

6 - 210 bar (3045 psi) for high performance models, DG4V-3, with AC solenoids.

7 - 210 bar (3045 psi) for high performance models, DG4V-3 with DC solenoids.

21 Design Number, 20 series