

Pressure Line Filters

(F3)-OFP-15-*-*-*-10

(F3)-OFP-35-*-*-*-10

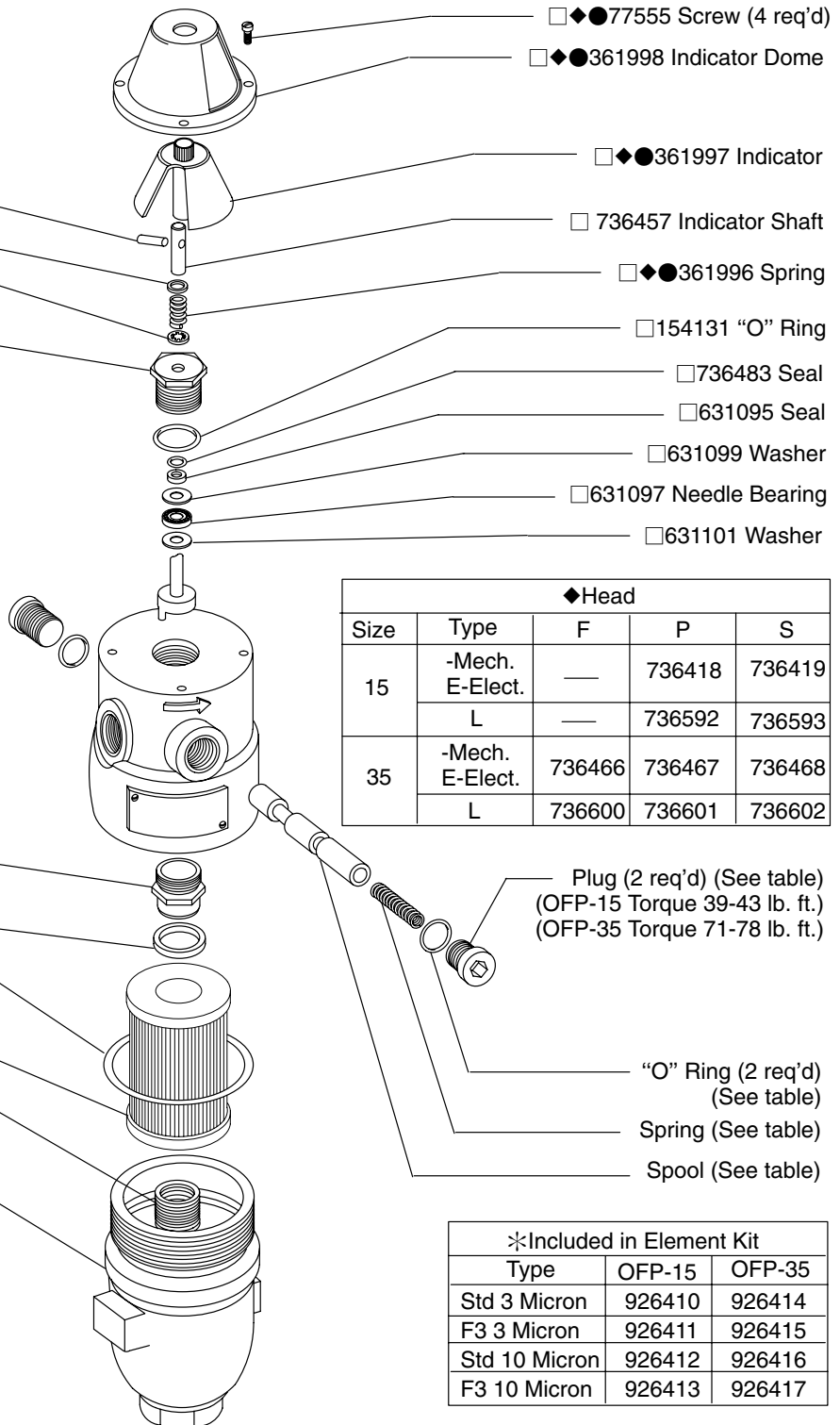
- Included in Mechanical Indicator Kit 941003
- Omit on "L" Models

- ◆● 218979 Pin
- ◆● 105109 Washer
- ◆● 407949 Retaining Ring
- 736589 Plug
(Torque 71-78 lb. ft.)

Part Name	Part Number	
	OFP-15	OFP-35
Plug	329463	326976
"O" Ring	154129	154131
Spring	736436	736463
Spool	736590	736591
Bezel	736413	736470
*Seal	154018	154022
*Bowl "O" Ring	380648	200162
Bowl Spring	736438	736471
Bowl	736440	736447

- Bezell (See table)
(Torque 71-78 lb. ft.)
- *Seal (See table)
- *Bowl "O" Ring (See table)
- *Element (See table)
- Bowl Spring (See table)
- ◆ Bowl (See table)
(Torque 100-110 lb. ft.)

◆ Not available for sale as individual parts.

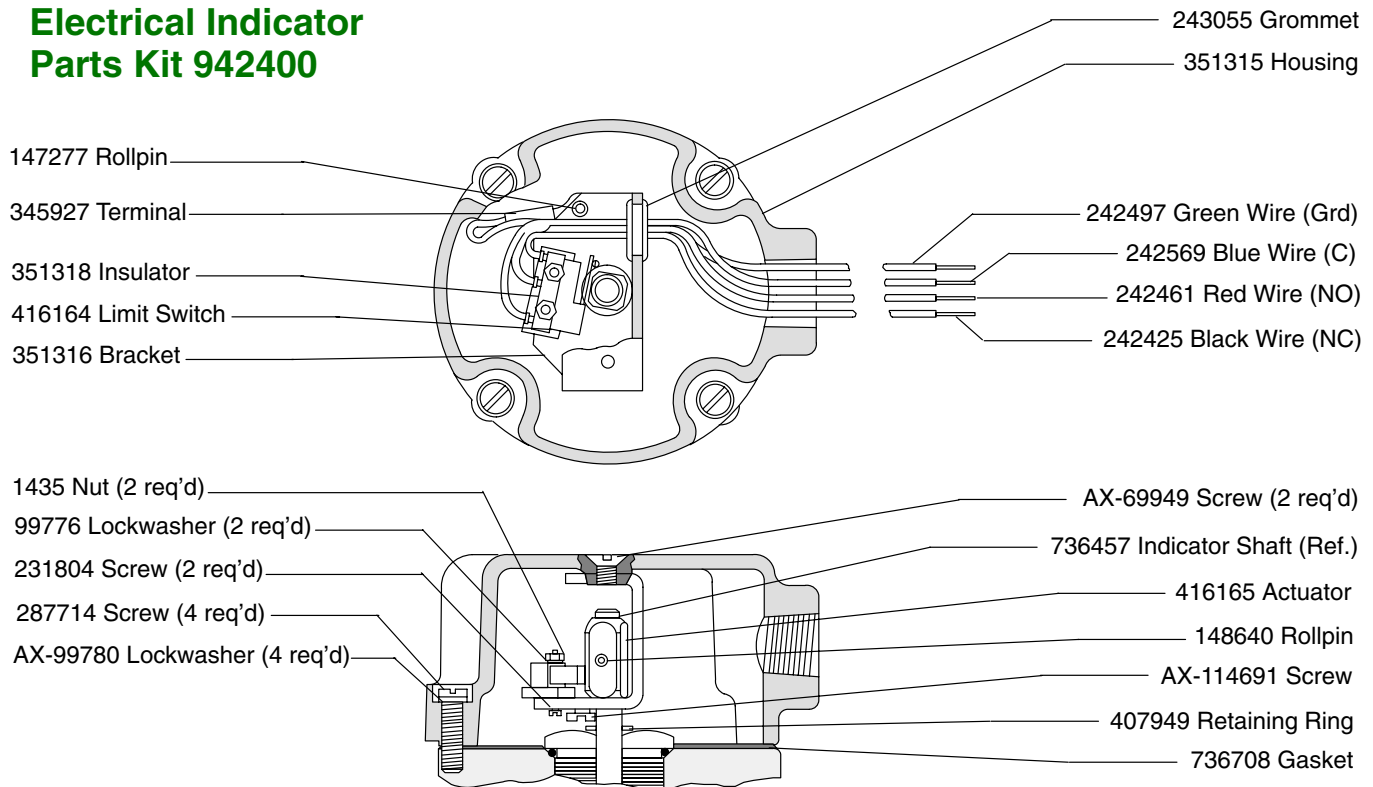


◆ Head				
Size	Type	F	P	S
15	-Mech. E-Elect.	—	736418	736419
	L	—	736592	736593
35	-Mech. E-Elect.	736466	736467	736468
	L	736600	736601	736602

- Plug (2 req'd) (See table)
(OFP-15 Torque 39-43 lb. ft.)
(OFP-35 Torque 71-78 lb. ft.)
- "O" Ring (2 req'd)
(See table)
- Spring (See table)
- Spool (See table)

*Included in Element Kit		
Type	OFP-15	OFP-35
Std 3 Micron	926410	926414
F3 3 Micron	926411	926415
Std 10 Micron	926412	926416
F3 10 Micron	926413	926417

Electrical Indicator Parts Kit 942400



Model Code

(F3) - OFF - * - * - * - * - * - 10

1 2 3 4 5 6 7 8

1 Seals

F3 - Multi-fluid capability (Viton® seals)
Viton is a registered trademark of E.I. DuPont

2 Model Series

OFF - Pressure line oil filter

3 Flow Rating (USgpm)

15 - 15 USgpm
35 - 35 USgpm

4 Port Connections

F - SAE 4-bolt flange
P - 1" NPTF
S - SAE str. thd.

5 Nominal Filtration Rating

3M - 3 micron
Blank - 10 micron

6 Bypass Setting

Blank - 40 psi standard

7 Indicator

E - Electrical
L - Less indicator
Blank - Mechanical

8 Design

For satisfactory service life of these components, use full flow filtration to provide fluid which meets ISO cleanliness code **20/18/15** or cleaner. Selections from Eaton OFF, OFR and OFRS filter series are recommended.

Printed in U.S.A.