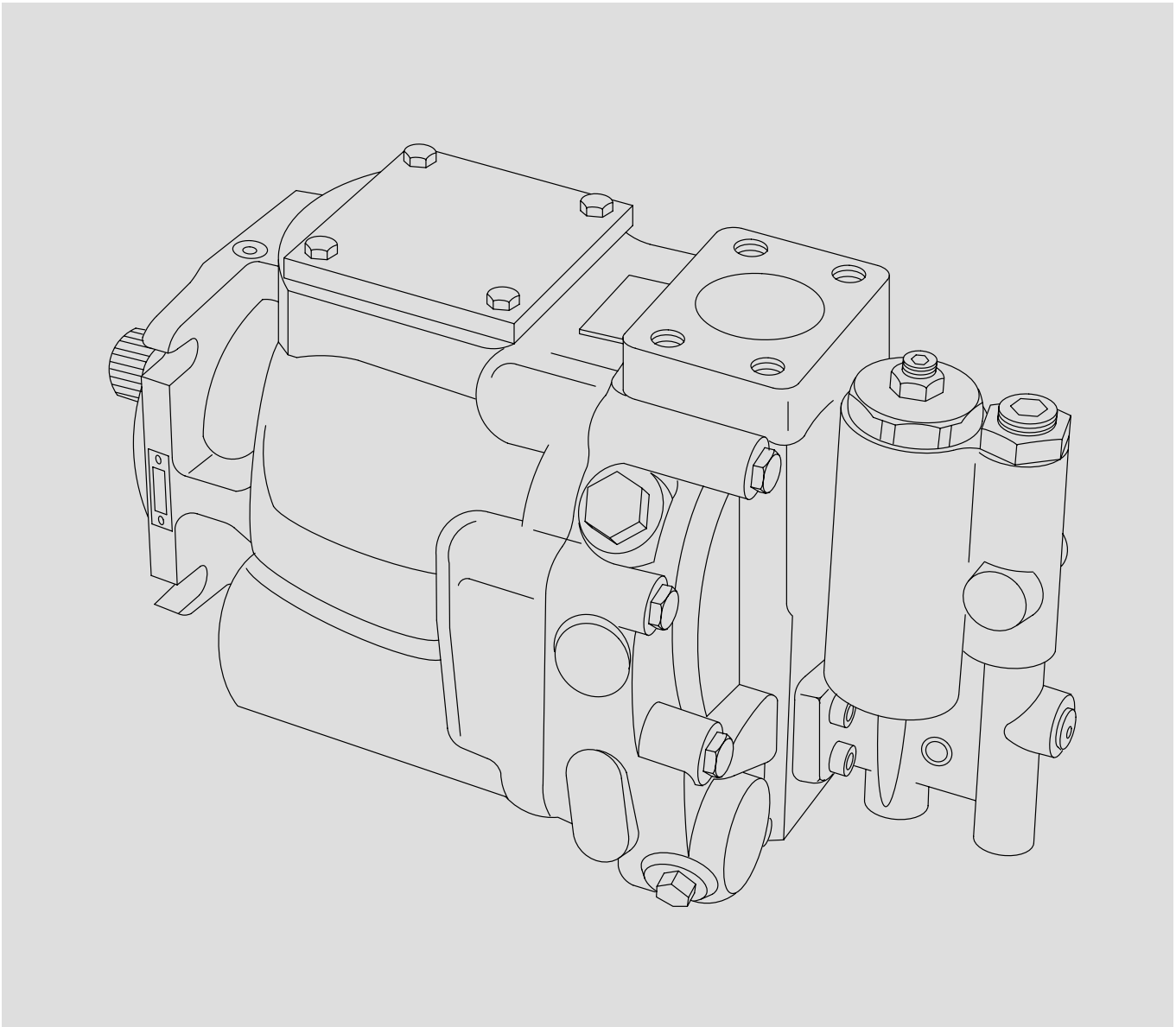
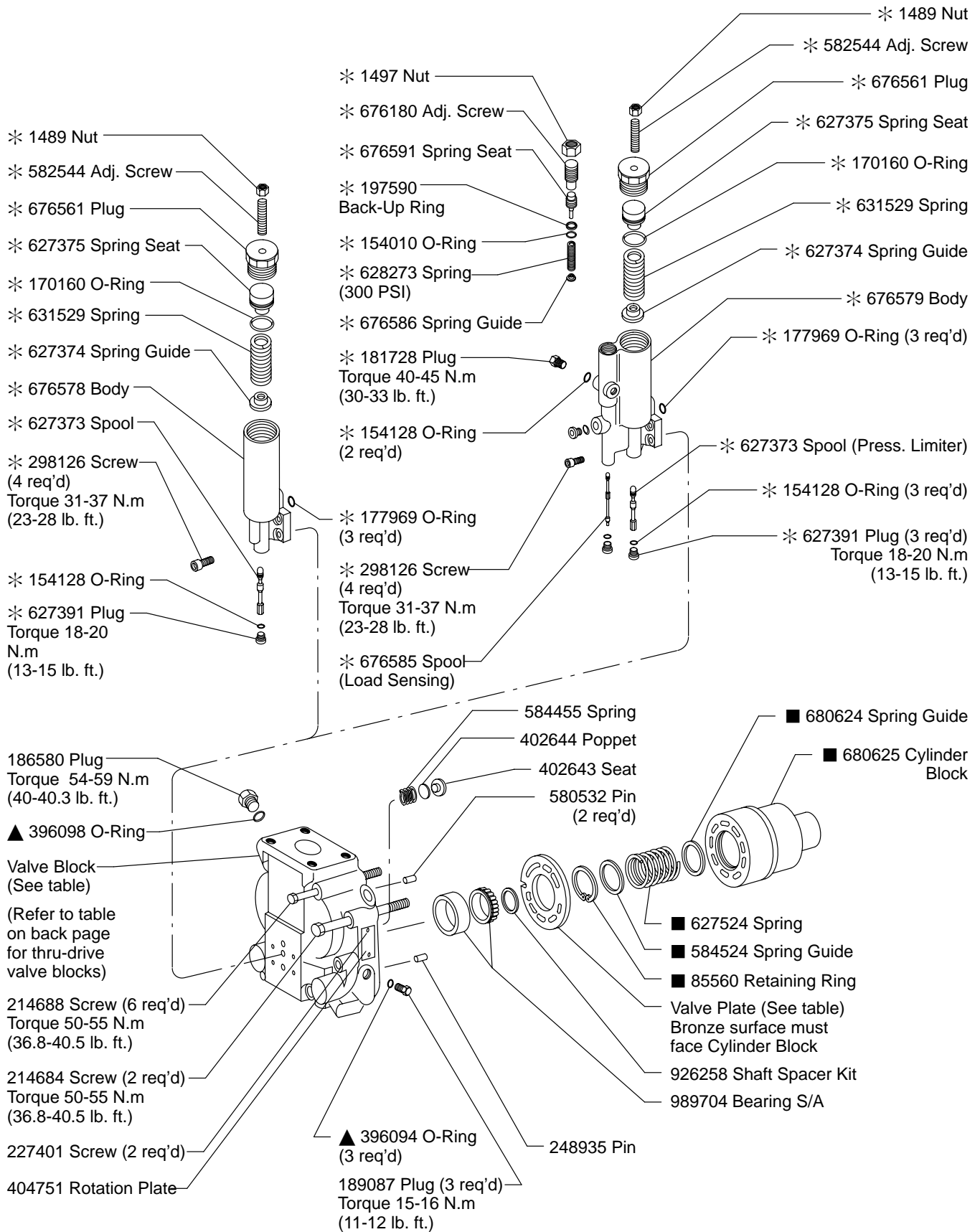


Heavy Duty Piston Pump

PVE27*-E2-21-C**-20

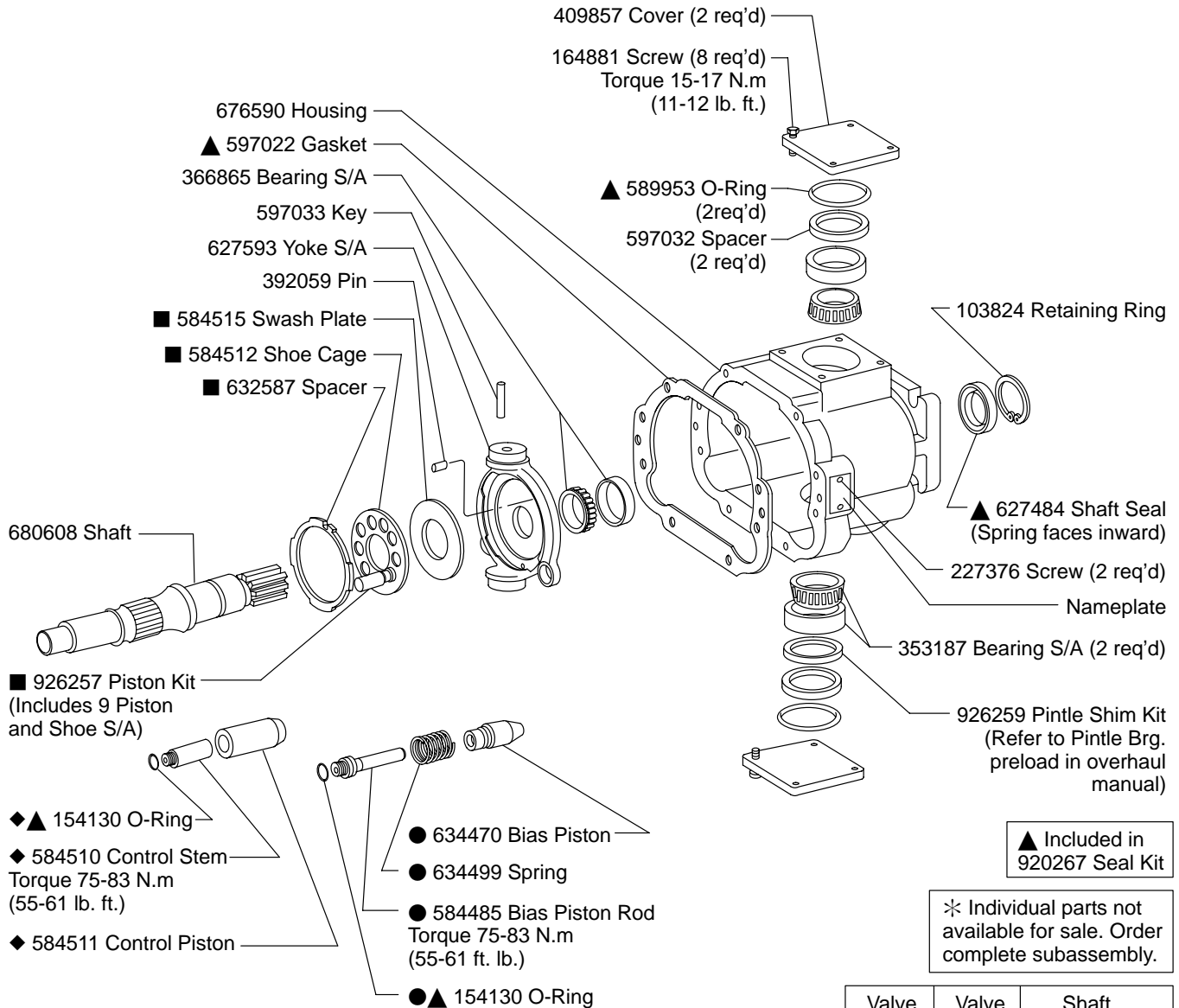


676584 'C' Pressure compensator S/A preset at 250 bar.



676580 'CVP' Load Sensing/
Pressure limiter compensa-
tor S/A. Shipped preset at
approximately: Load sensing
differential pressure 20 bar.
Pressure limiter 250 bar.

PVE27*-E2-21-C**-20



● Included in 926450 Bias Piston Kit

■ Included in 938102 rotating group

◆ Included in 926449 Control Piston Kit

Valve Block	Valve Plate	Shaft Rotation
680786	680630	CCW Left
680785	680631	CW Right

Note
Parts are shown for left hand shaft rotation. The position of control and bias pistons are reversed for right hand rotation. (Assemble using Loctite 270.)

Model Code

PVE 27 * - E 2 - 21 - C - 20**

1 2 3 4 5 6 7 8

1 Model Series

PVE - Pump, variable, inline series E

**2 Flow Rating in USgpm
(at 1800 RPM)**

27 - 27 USgpm

**3 Shaft Rotation
(Viewed from Shaft End)**

R - Right hand (CW)
L - Left hand (CCW)

4 Ports and Configuration

E - Rear ports
Omitted - Side ports, flanged standard

5 Input Shaft

6 Pump Design

7 Control Type

C - Pressure compensator
CVP - Load sensing with pressure limiter

8 Control Design