

# Service Bulletin

## Eaton® Heavy Duty – Models 33 thru 76 Tapered Shaft Nut Torque Specifications

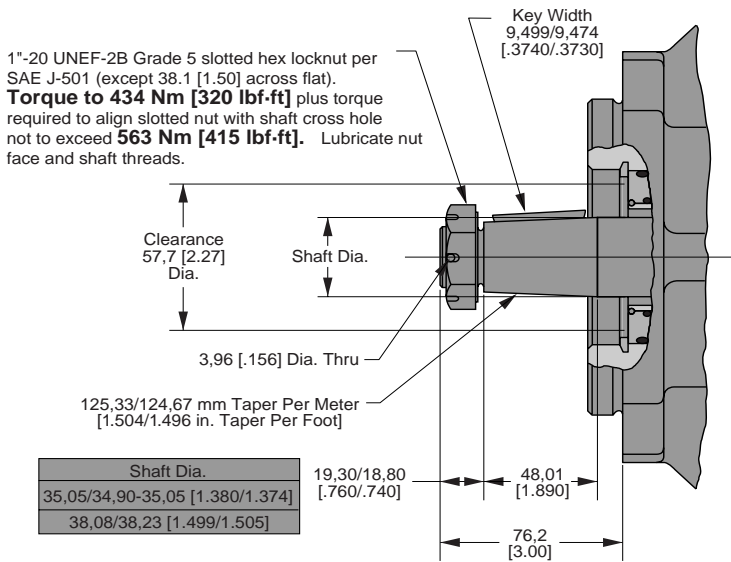
No. 980601  
June 1998  
(Replaces No. 971107 November 1997)



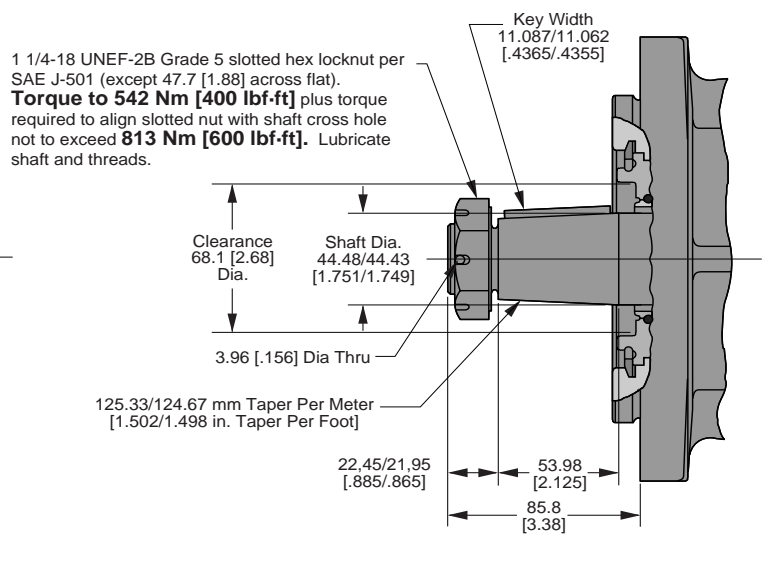
Be advised that the shaft nut torque specifications on the Heavy Duty Series Models 33 thru 76 has been increased. Note the new torque values listed below.

To help in the removal of the Yoke we suggest using a Tapered Shaft Yoke Puller Tool, which is described on back of this form.

### Tapered Shaft Models 33 thru 64 Compatible with ISO 3019/1 (SAE-J744) Specifications



### Tapered Shaft Model 76 Compatible with ISO 3019/1 (SAE-J744) Specifications

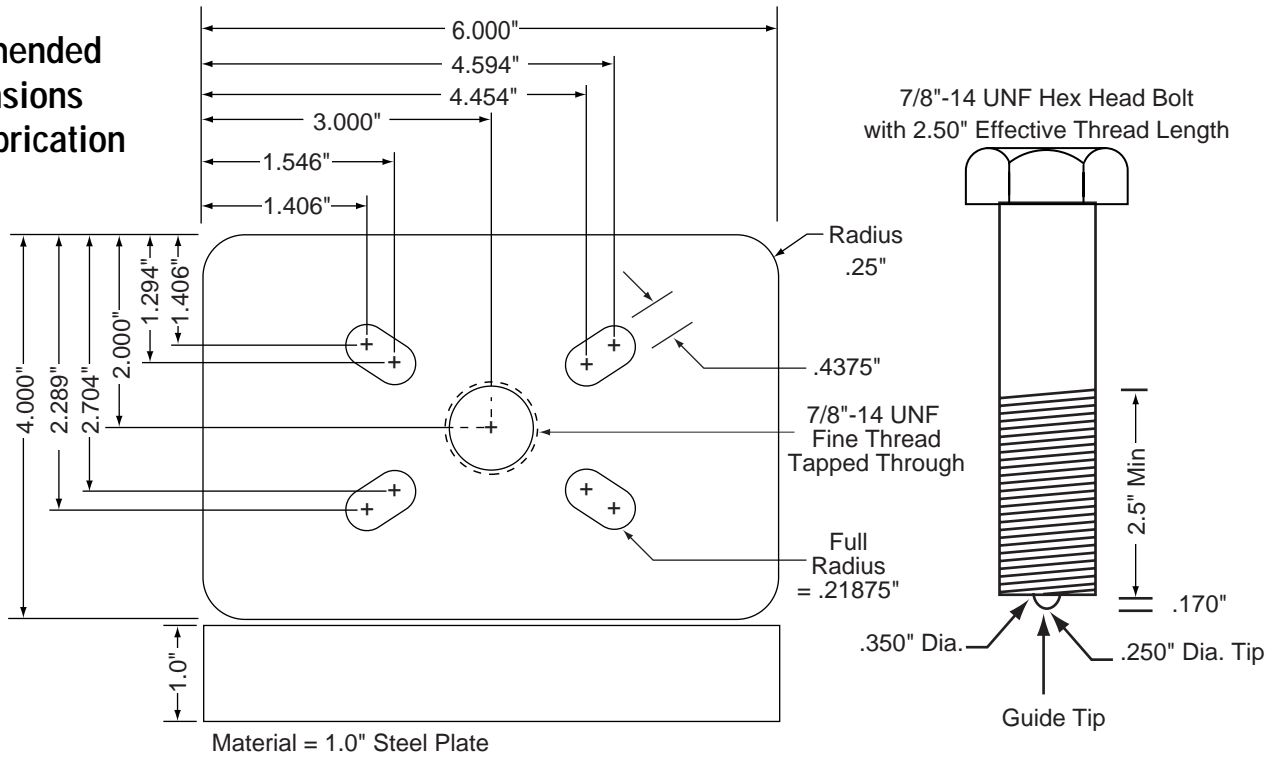


All dimensions given in millimeters [inches].

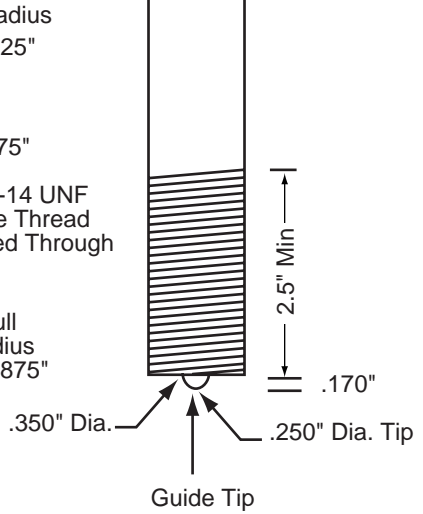
## Heavy Duty Series Tapered Shaft Torque – Specifications

# Tapered Shaft Yoke Puller

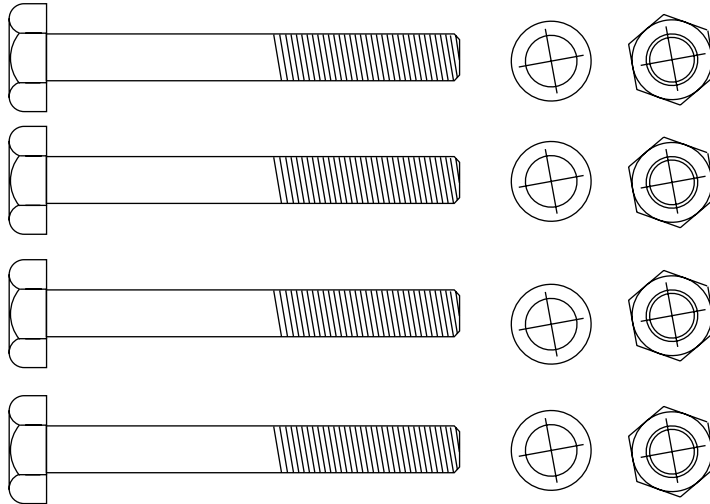
## Recommended Dimensions for Fabrication



7/8"-14 UNF Hex Head Bolt with 2.50" Effective Thread Length



(4) 5/16"-18 x 2.5" Hex Head Bolts, Nuts and Flat Washers



Eaton Corporation  
**Hydraulics Division**  
 15151 Hwy. 5  
 Eden Prairie, MN 55344  
 Telephone 612/937-9800  
 Fax 612/937-7130

Eaton Ltd.  
**Hydraulics Division**  
 Glenrothes, Fife  
 Scotland, KY7 4NW  
 Telephone 01-592-771-771  
 Fax 01-592-773-184

Eaton GmbH  
**Hydraulics Products**  
 Am Schimmersfeld 7  
 40880 Ratingen, Germany  
 Telephone 02102-406-830  
 Fax 02102-406-800



**Quality System Certified**  
 Products in this catalog are manufactured in an ISO-9001-certified site.